

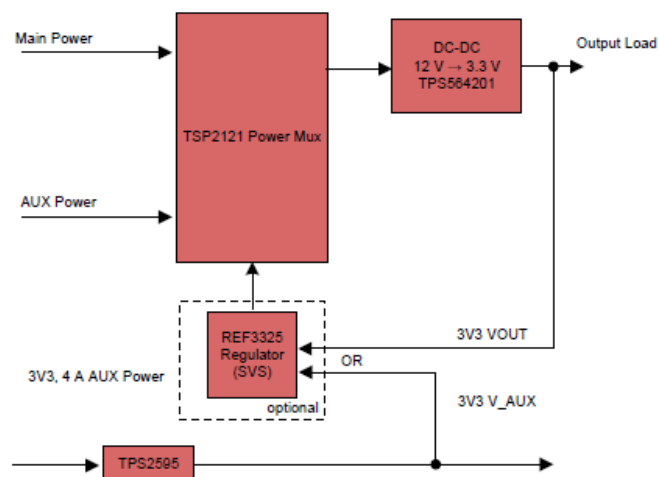
GREEN : VIN

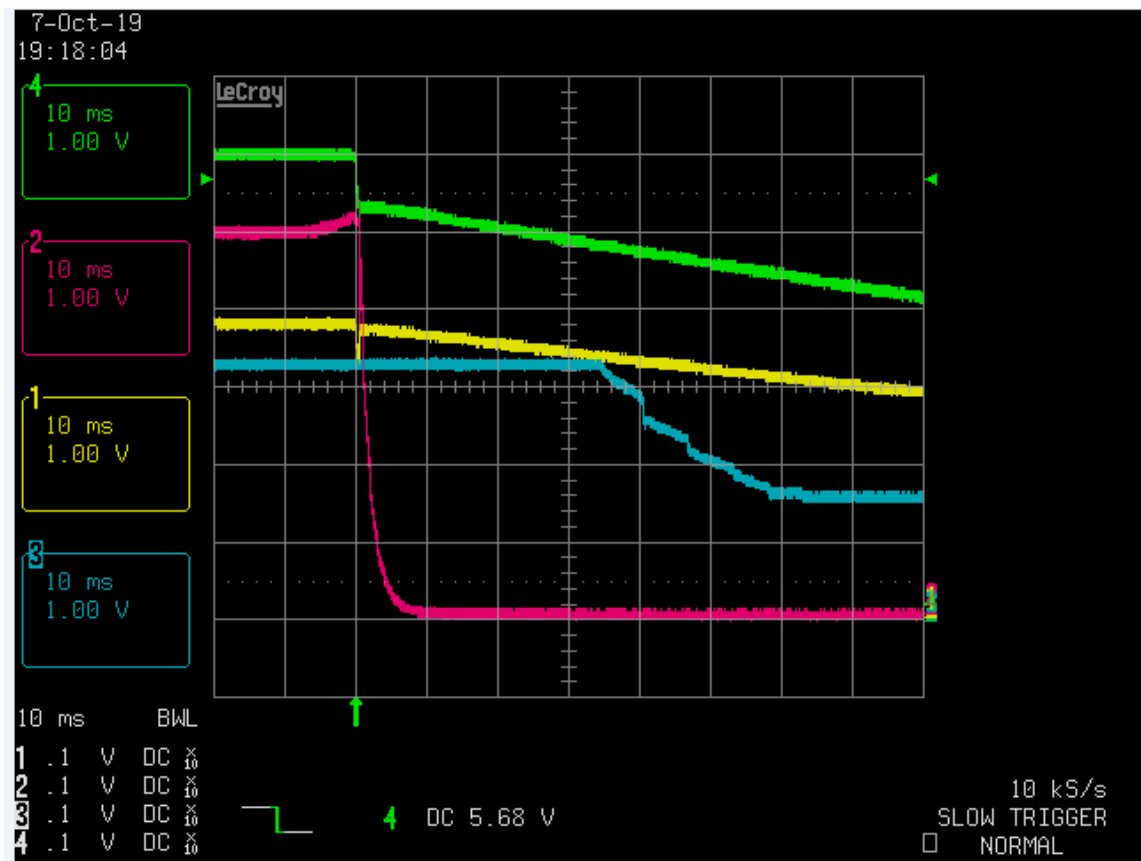
RED : VOUT

YELLOW PR1

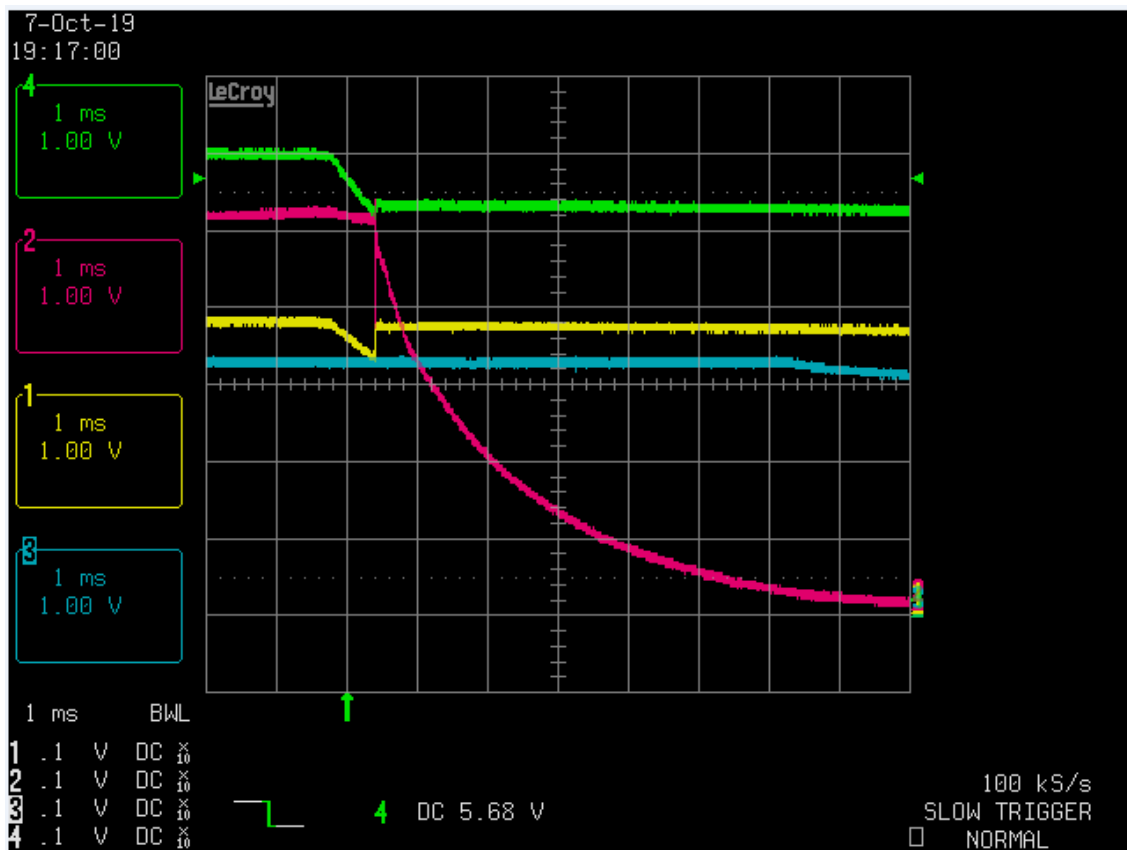
BUE : CP2

Note CP2 is the 3.3V Logic Supply derived as described in the following picture (from TIDA-01638)

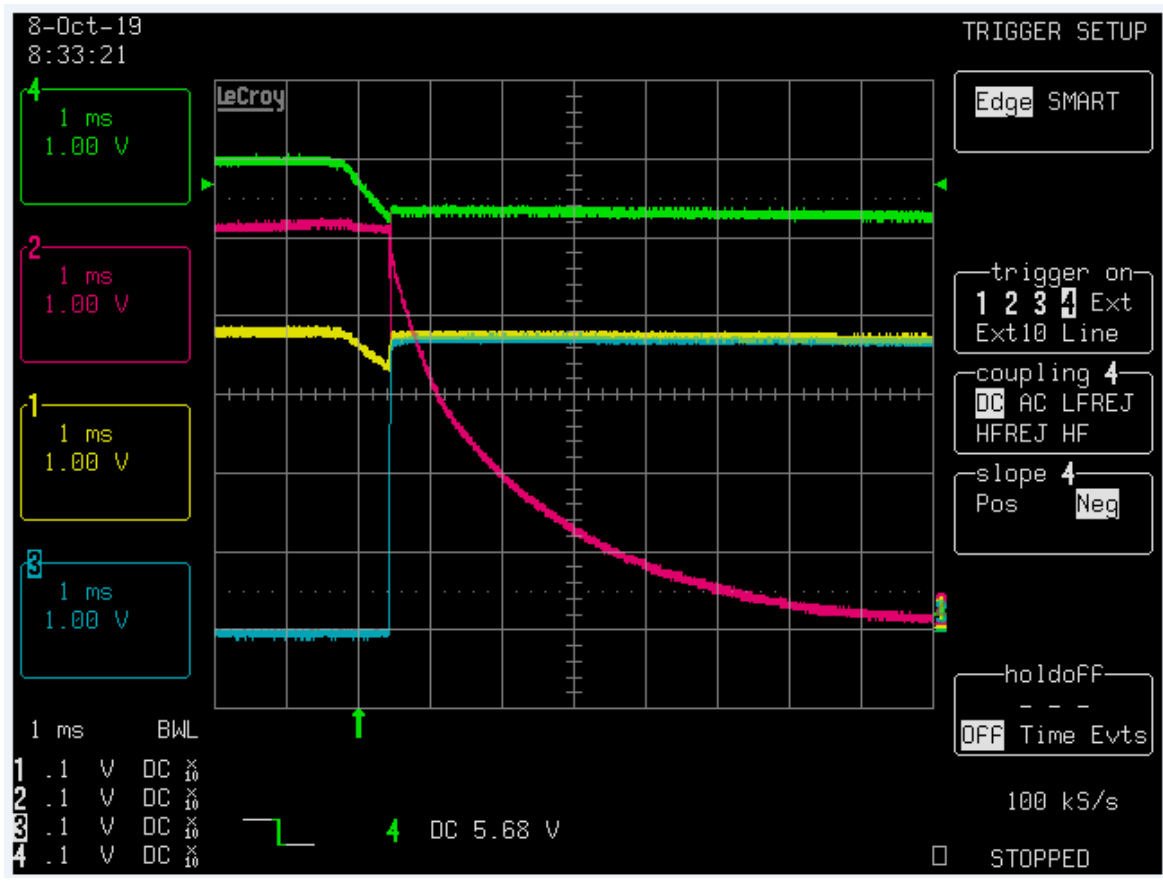




10 msec/div/div



1 msec/div



GREEN : VIN

RED : VOUT

YELLOW PR1

BUE : ST

Note : in this plot BLUE trace is ST