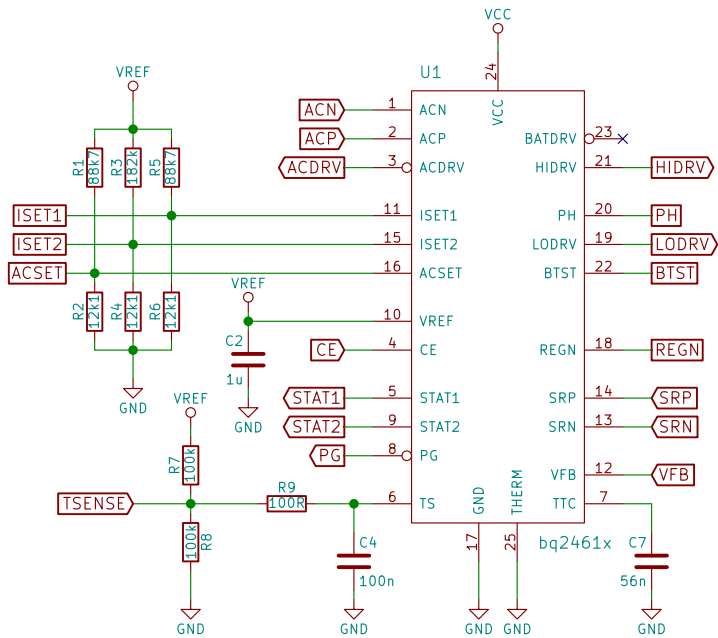
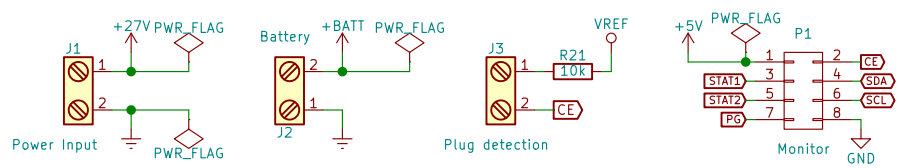


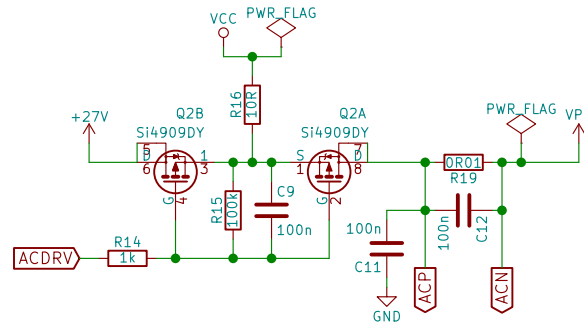
Charger IC



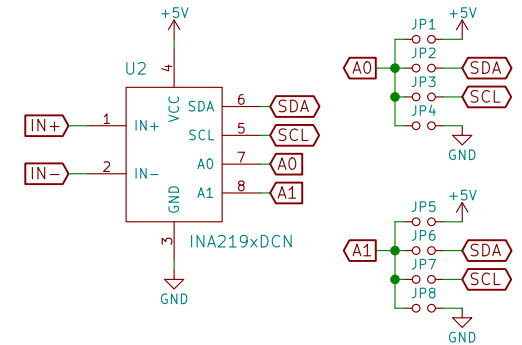
Connectors



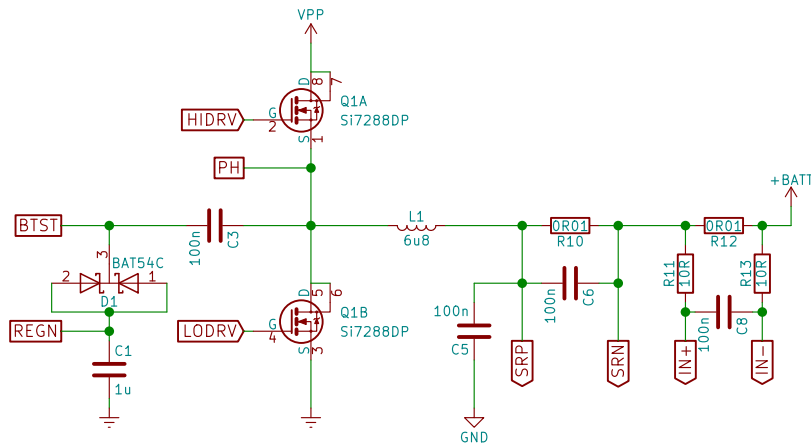
Input



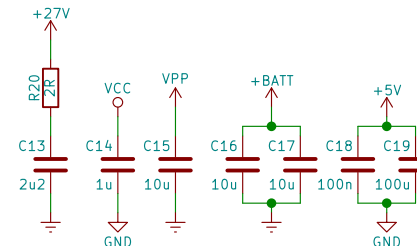
Power Monitor & I2C Address Selection



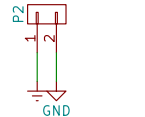
Buck Converter



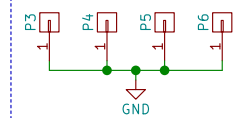
Decoupling Caps



Star Ground



Mounting Holes



Bembelbots

Sheet: /
File: charger.sch

Title: PowerBembel Charger Board

Size: A4
Date: 2017-02-24
KiCad E.D.A. kicad 4.0.5+dfsg1-4

Rev: 1.0
Id: 1/1