

**TABLE OF CONTENTS**

PAGE	DESCRIPTION
1	Contents, Revision History, Design Notes
2	Power Supply
3	

**DESIGN NOTES:**

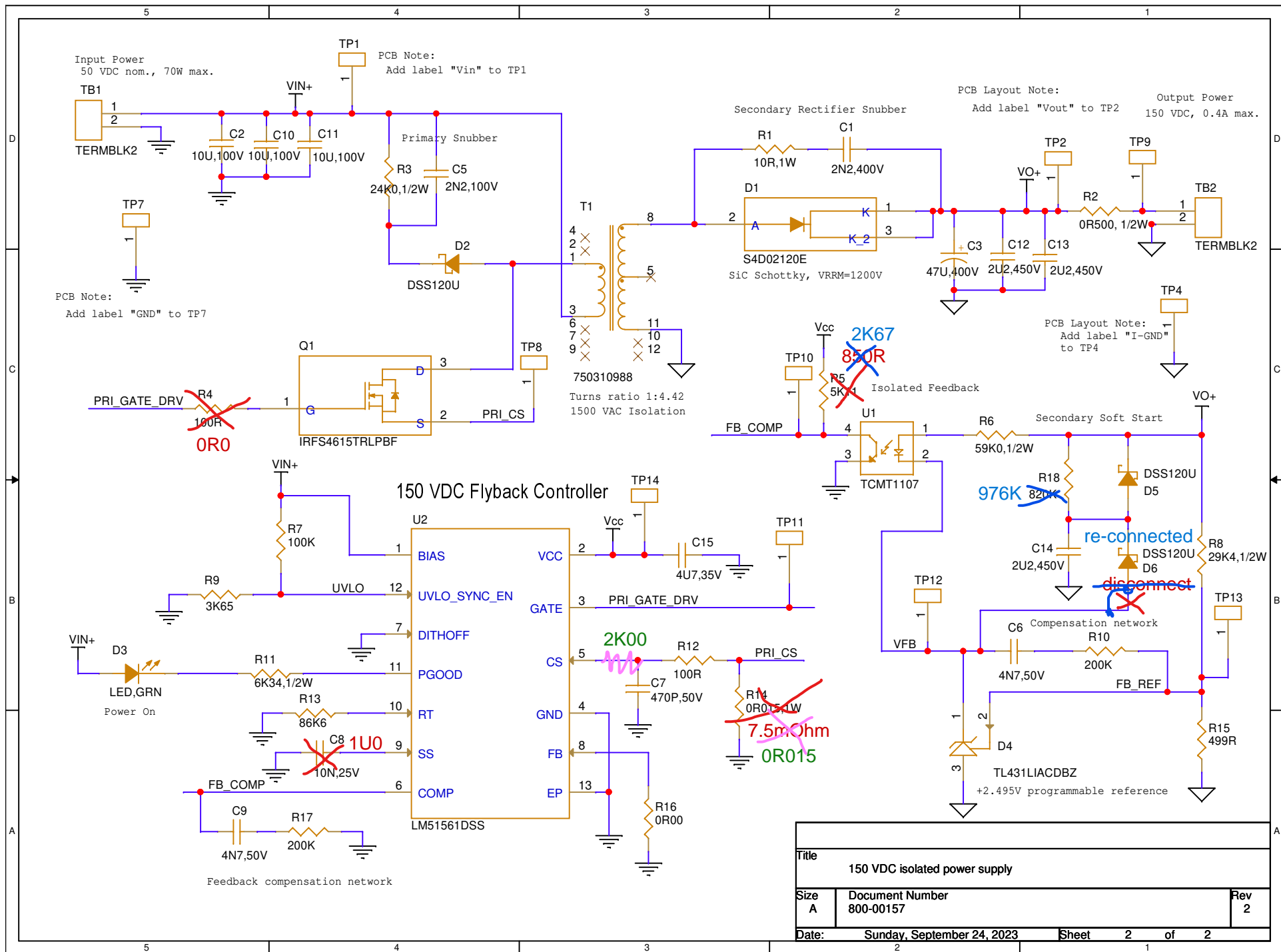
1. All resistors are +/-1% tolerance unless otherwise indicated.

**LAYOUT NOTES:**

**REVISION HISTORY**

REV	DATE	PAGES	DESCRIPTION
1	2023-09-20	All	First release.
2			

Title		
150 VDC isolated power supply		
Size A	Document Number 800-00157	Rev 1
Date:	Sunday, September 24, 2023	Sheet 1 of 2



Input Power  
50 VDC nom., 70W max.

PCB Note:  
Add label "Vin" to TP1

PCB Layout Note:  
Add label "Vout" to TP2  
Output Power  
150 VDC, 0.4A max.

PCB Note:  
Add label "GND" to TP7

PCB Layout Note:  
Add label "I-GND"  
to TP4

### 150 VDC Flyback Controller

Title		
150 VDC isolated power supply		
Size A	Document Number 800-00157	Rev 2
Date:	Sunday, September 24, 2023	Sheet 2 of 2