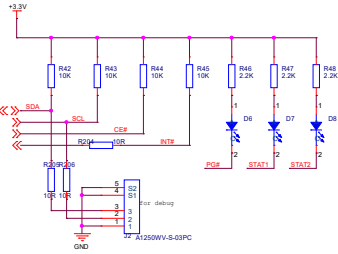
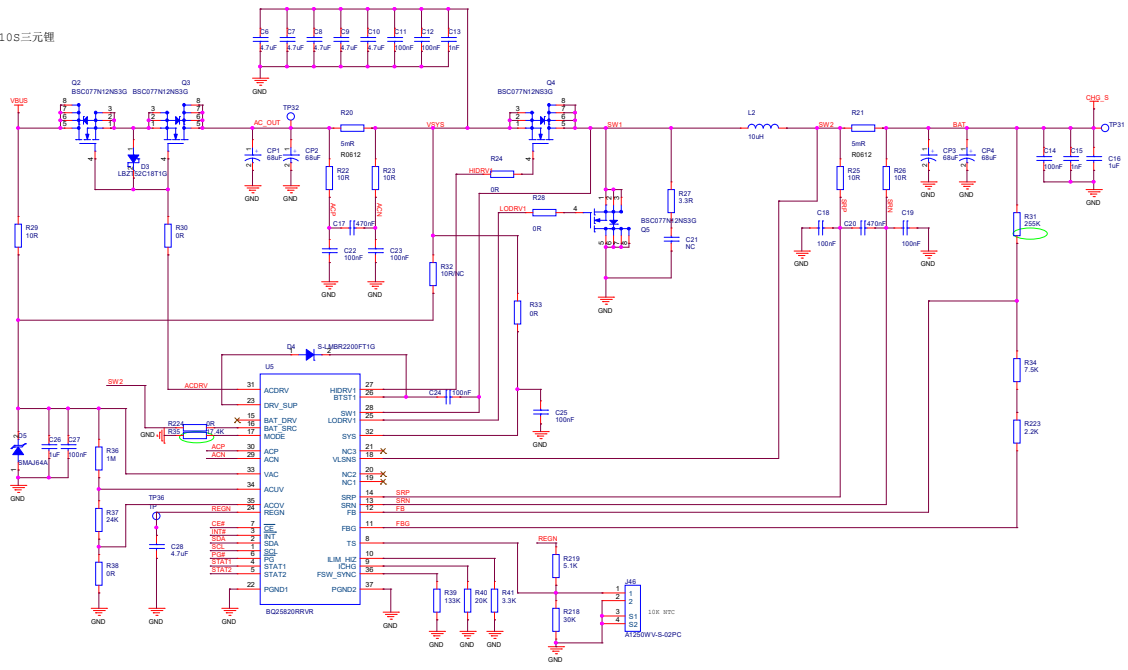


1. 不设置过压充电截至电压;
2. 欠压充电截至电压为4.7V;
3. 设定充电电压为4.1.9V;
4. 母线限制电流为6A;
5. 充电电流为2.5A;
6. 充电输入电压44.8V~67.2V, 电池10S三元锂



File	<Title>	Rev	<Rev>
Size	Document Number	<Doc>	<Doc>
Date	Issued	2025	Sheet 2 of 7