

DEVICE ID: LP875650 --> 2+2 PHASE  
 I2C ADDRESS : 0X66  
 IF I2C ADDRESS CONFLICT USE:  
 DEVICE ID: LP875620 --> 3+1 PHASE  
 I2C ADDRESS : 0X63

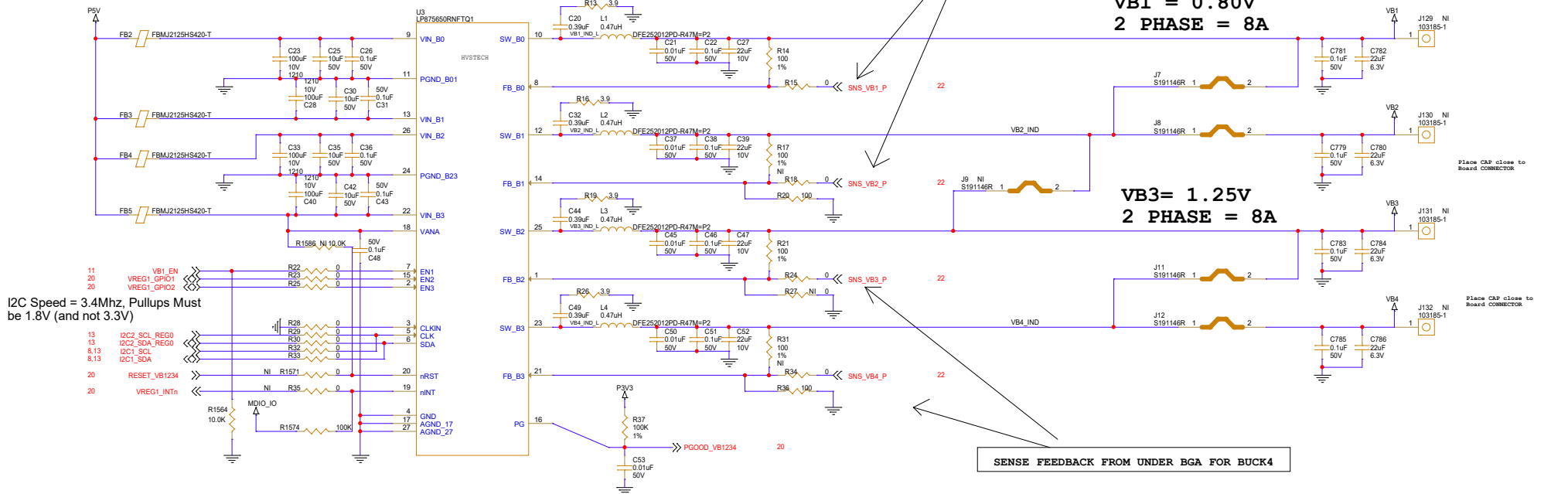
# POWER SUPPLY #1 AND #2

SENSE FEEDBACK FROM UNDER BGA FOR BUCK1 + BUCK2

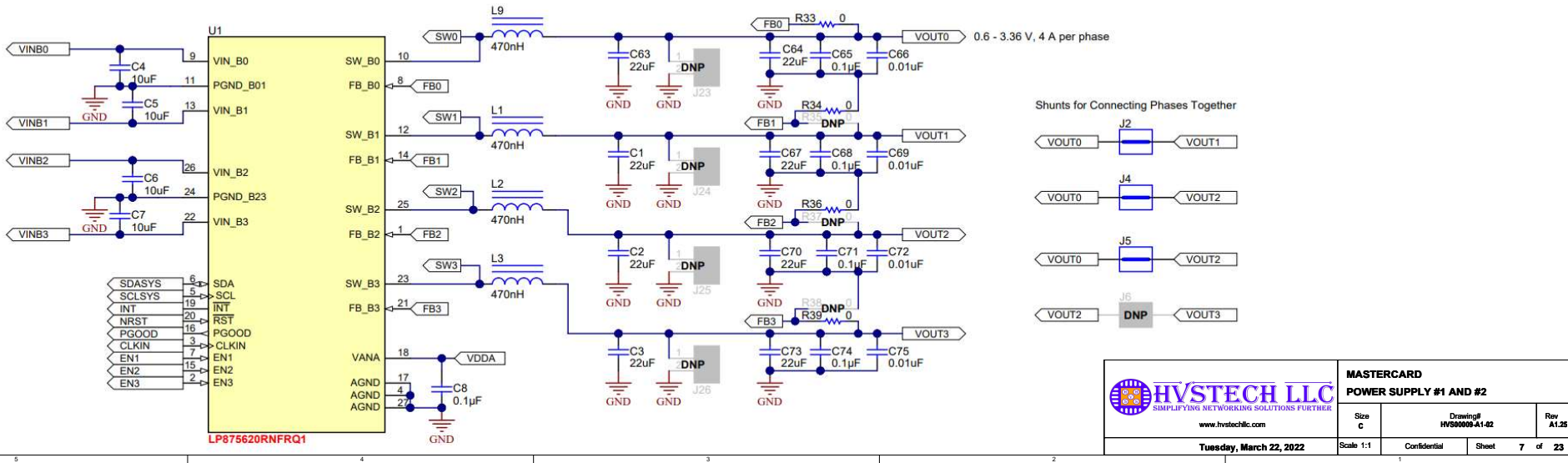
VB1 = 0.80V  
 2 PHASE = 8A

VB3 = 1.25V  
 2 PHASE = 8A

SENSE FEEDBACK FROM UNDER BGA FOR BUCK4



Description	Bit Name	LP8756x-Q1	Configurable
I2C slave ID (7-bit)	LP875610 - 4 ph	0x62	No
	LP875620 - 3+1	0x63	
	LP875630 - 2+1+1	0x64	
	LP875640 - 1+1+1+1	0x65	
	LP875650 - 2+2	0x66	



**HVSTECH LLC**  
SIMPLIFYING NETWORKING SOLUTIONS FURTHER

www.hvstech.com

**MASTERCARD**  
POWER SUPPLY #1 AND #2

Size C	Drawing# HW90009-A1-02	Rev A1.25
Tuesday, March 22, 2022	Scale 1:1	Confidential Sheet 7 of 23