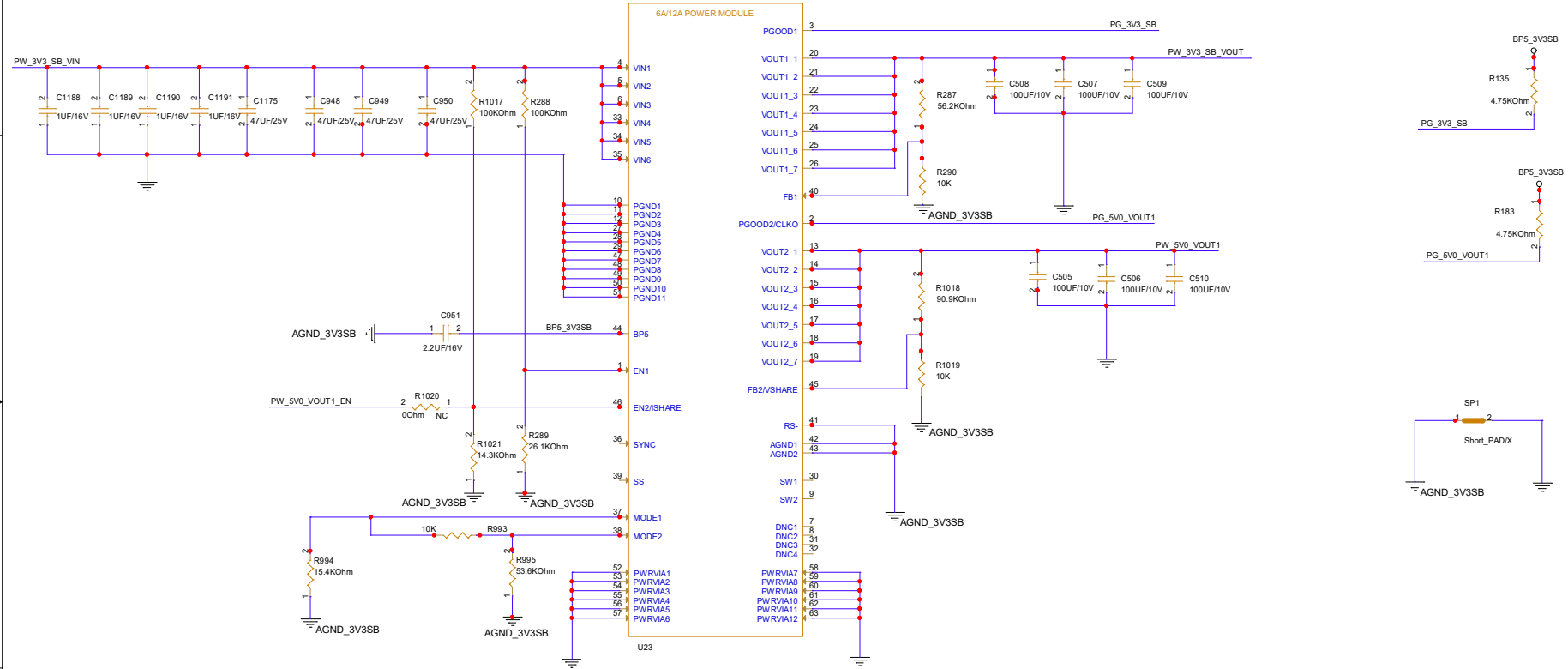


3V3_SB

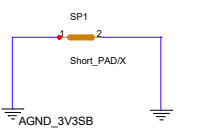
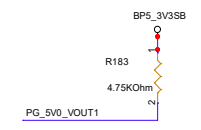
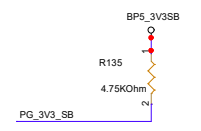
PW_3V3_SB_VIN= 12V
 PW_3V3_SB_VOUT= 3.3V
 PW_5V0_VOUT1=5V

TPSM5D1806



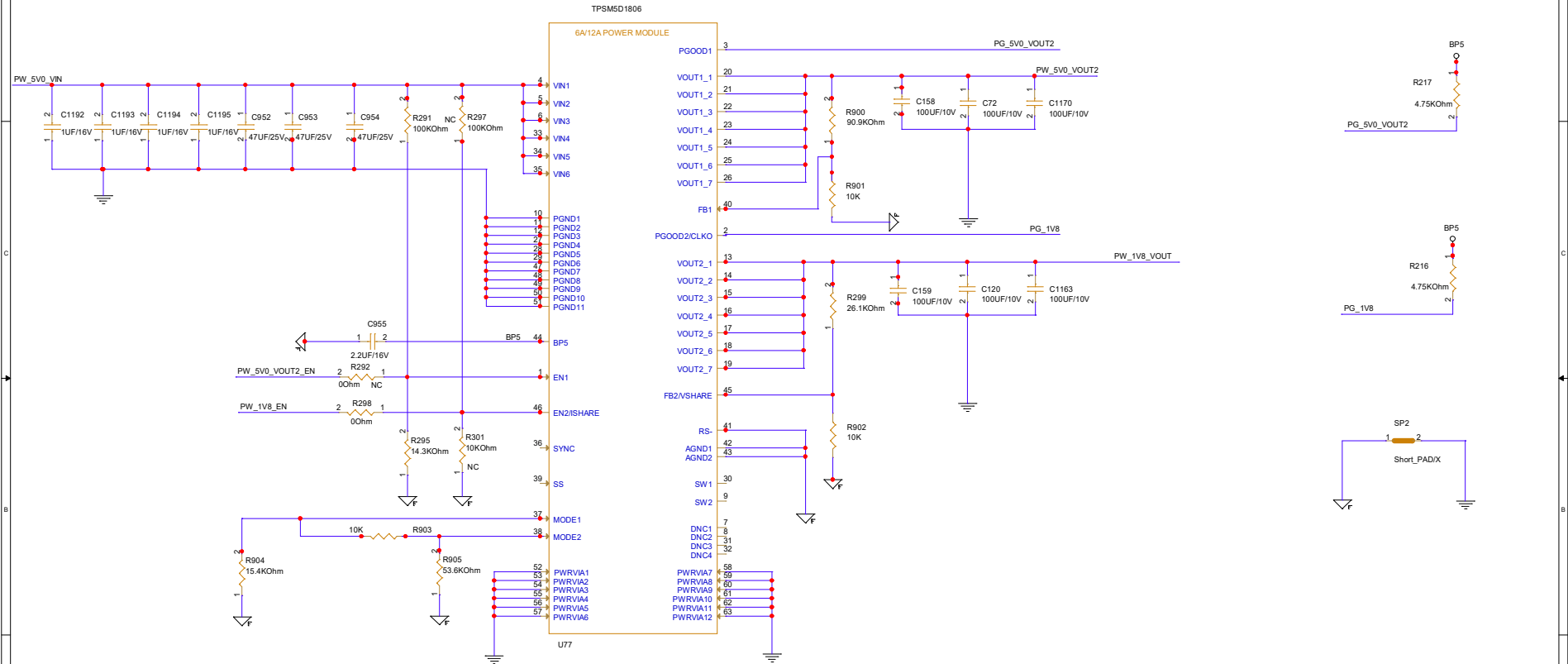
Input / Output Port

- PW_3V3_SB_VIN VIN 1
- PW_3V3_SB_VOUT VOUT1
- PG_3V3_SB PG1 6
- PG_5V0_VOUT1 PG2 6
- PW_5V0_VOUT1 VOUT2
- PW_5V0_VOUT1_EN EN2



5V0

PW_5V0_VIN= 12V
PW_1V8_VOUT= 1.8V
PW_5V0_VOUT2=5V



Input / Output Port

PW_1V8_VOUT VOUT2 8,9*,12,13,14,17,19,22,24,27,29,32,37,42
 PW_1V8_EN EN2 6,9*,42
 PG_1V8 PG2 6,9*,42

PW_5V0_VIN VIN 1
 PW_5V0_VOUT2 VOUT1
 PW_5V0_VOUT2_EN EN1 6
 PG_5V0_VOUT2 PG1 6.

