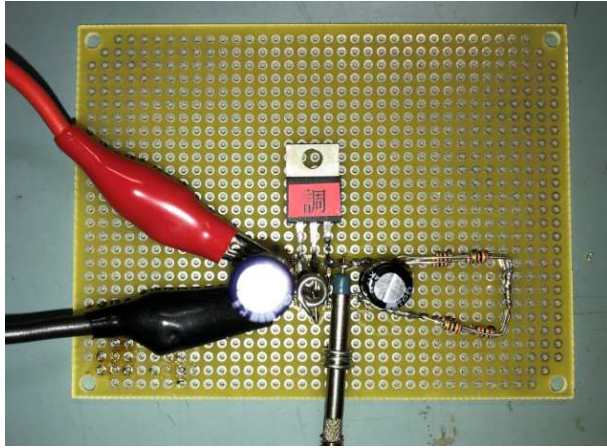
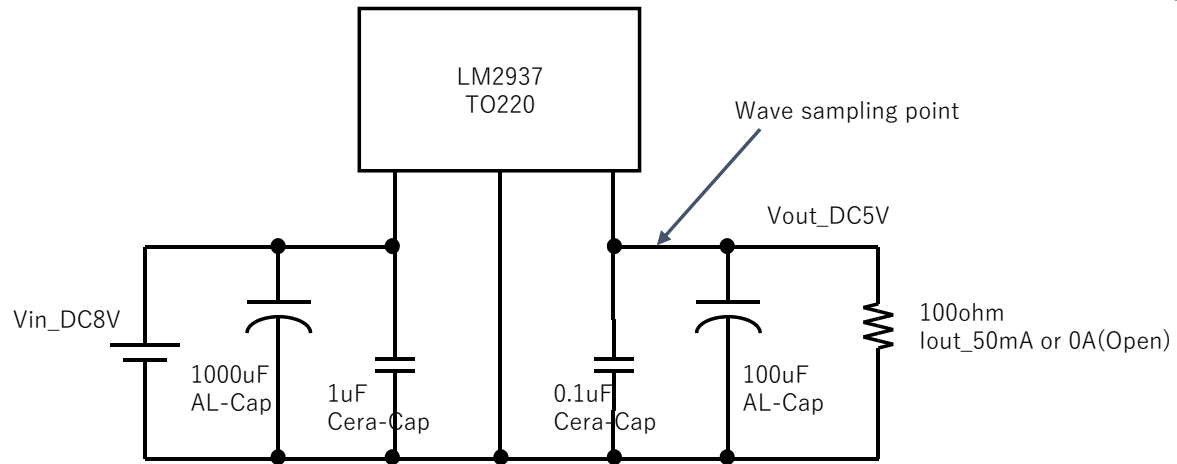


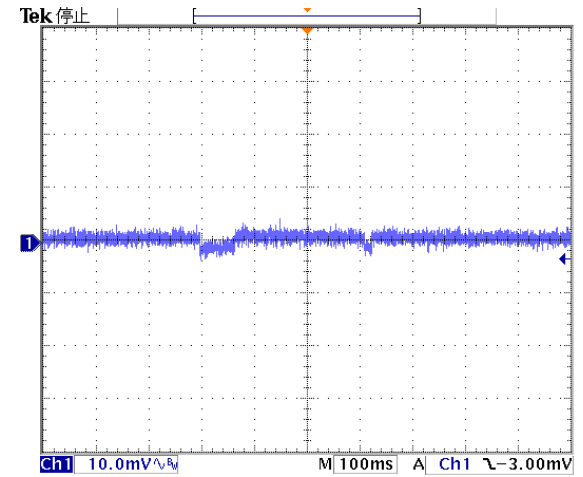
## Test Circuit Board



## Test Circuit Schematic

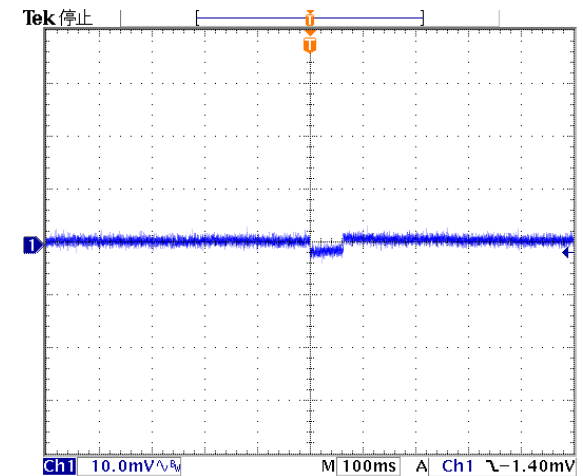


## $l_{out\_50mA}$



28 Feb 2018  
13:41:29

## $l_{out\_0A}$



28 Feb 2018  
13:54:31