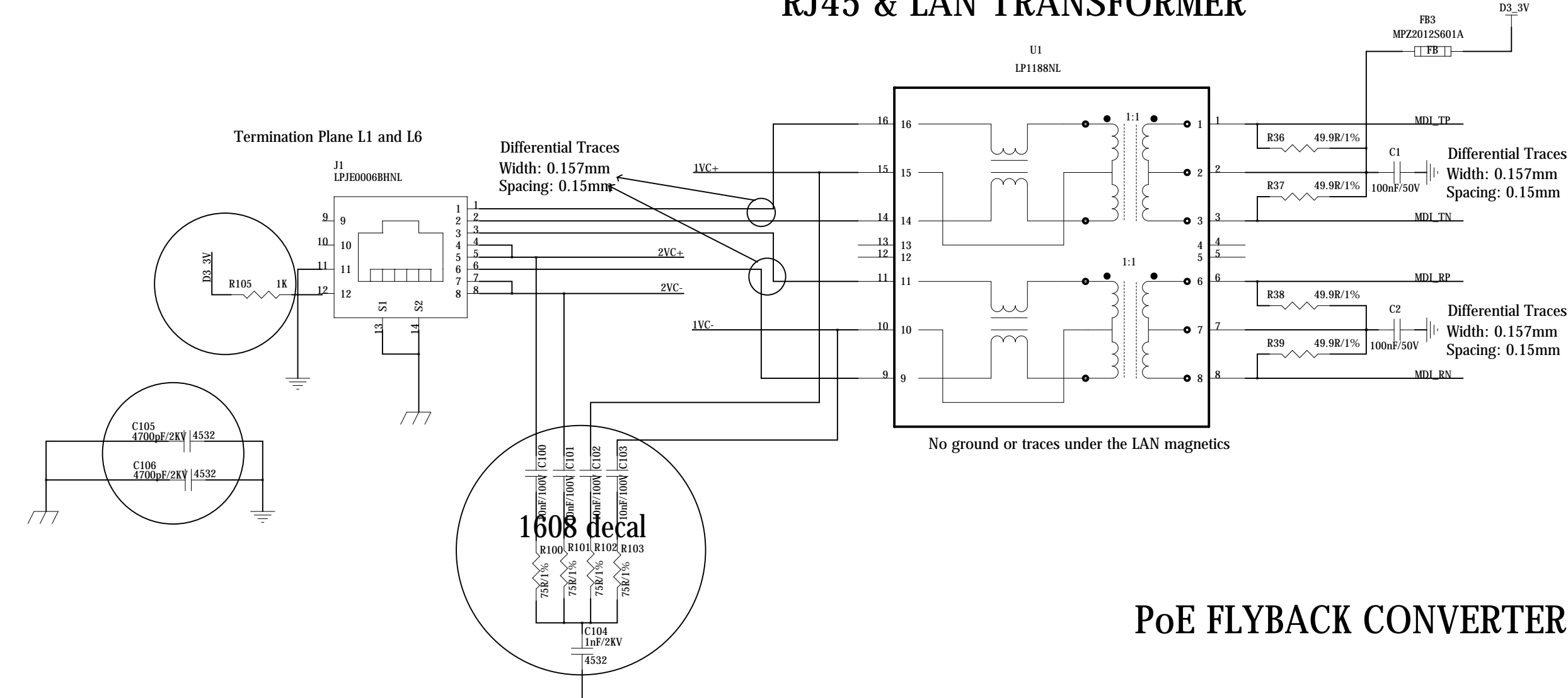


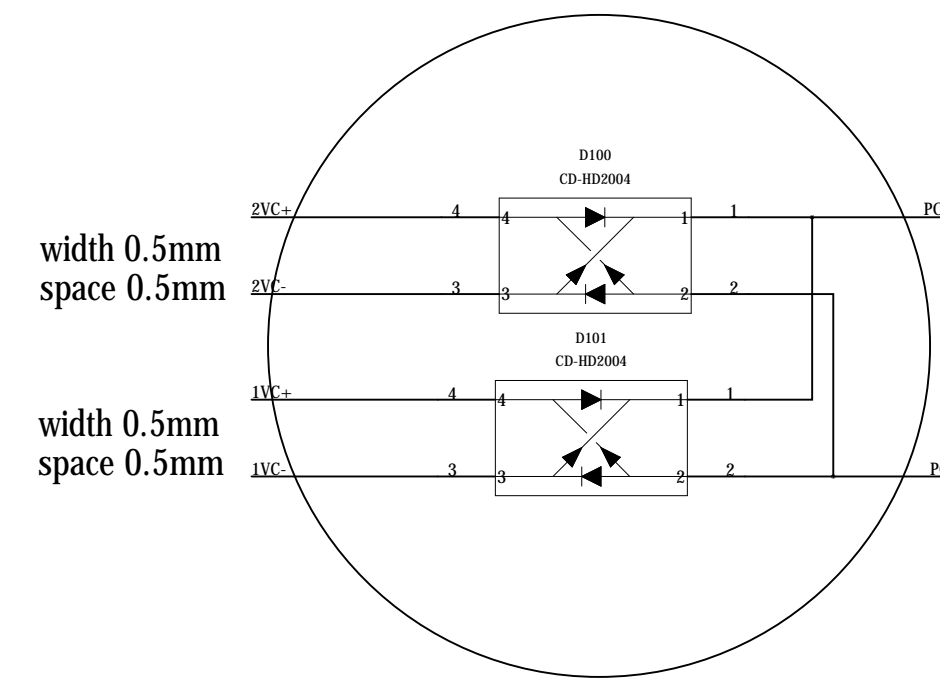
REVISION RECORD			
LTR	ECO NO.	APPROVED:	DATE:

Add BS term and plane on transformer side

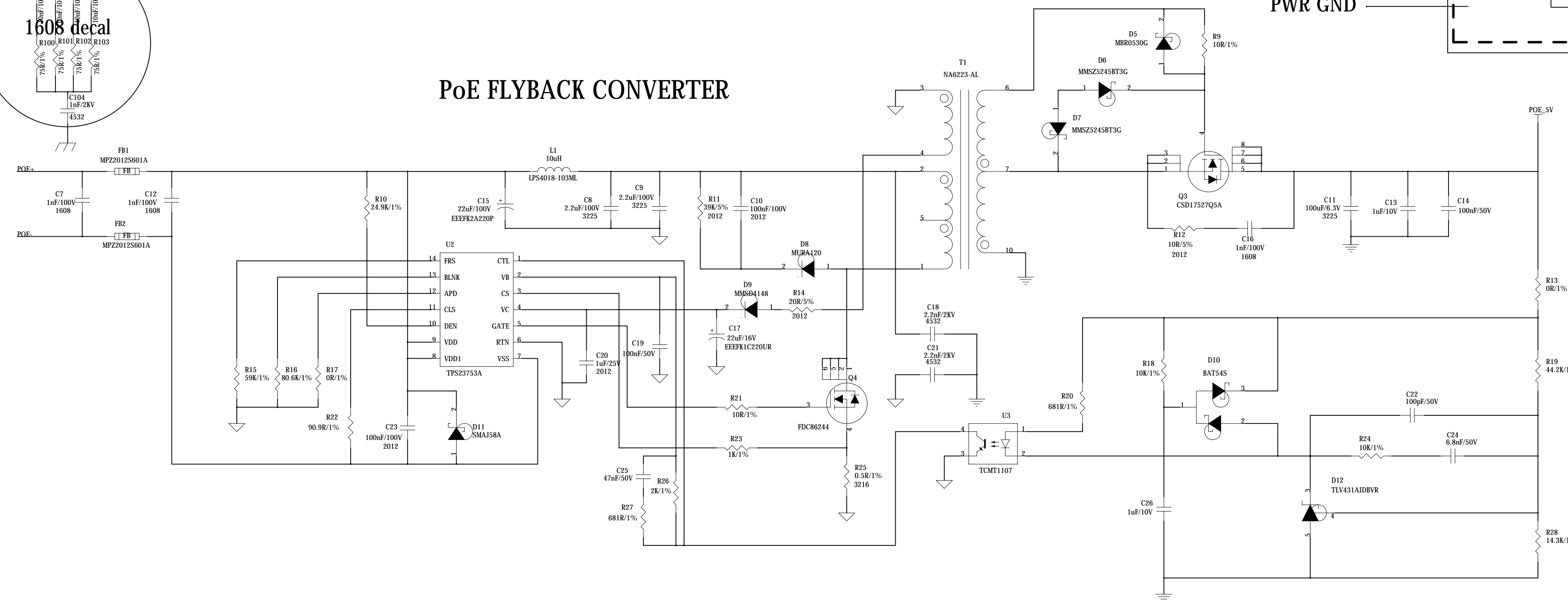
RJ45 & LAN TRANSFORMER



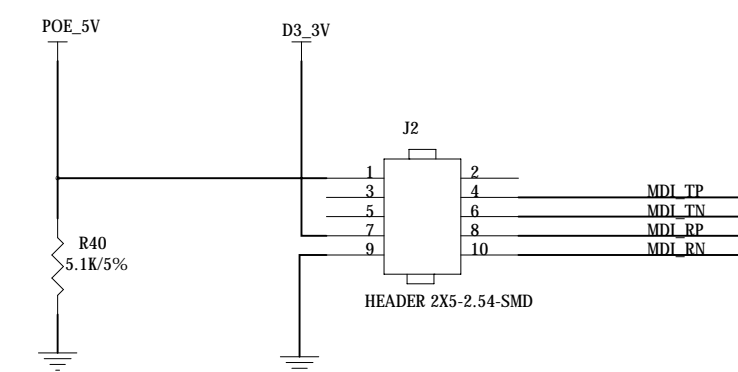
BRIDGE RECTIFIER



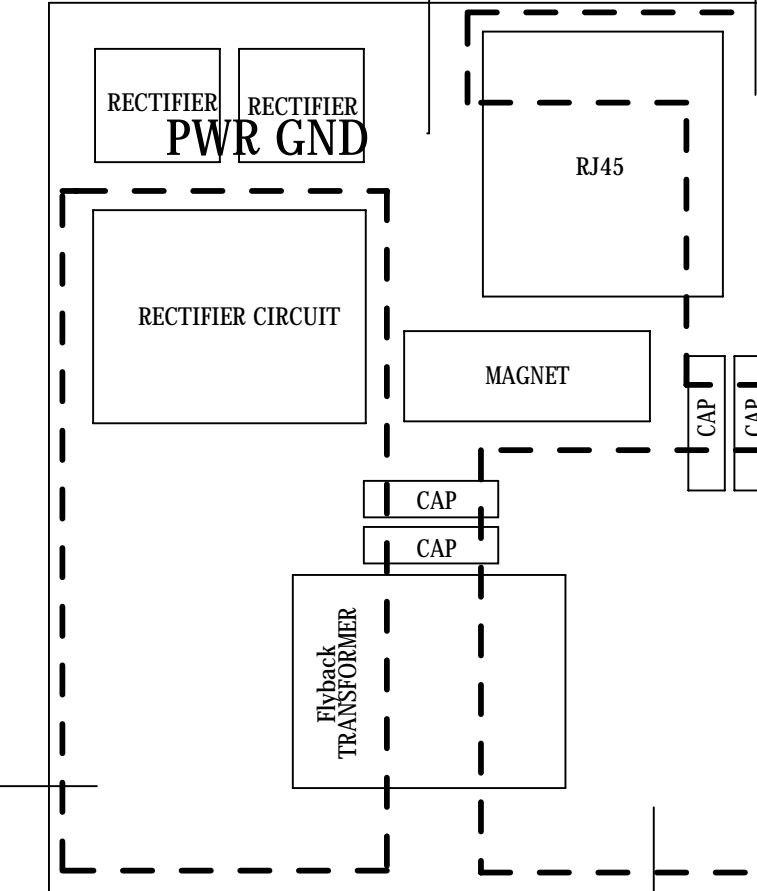
PoE FLYBACK CONVERTER



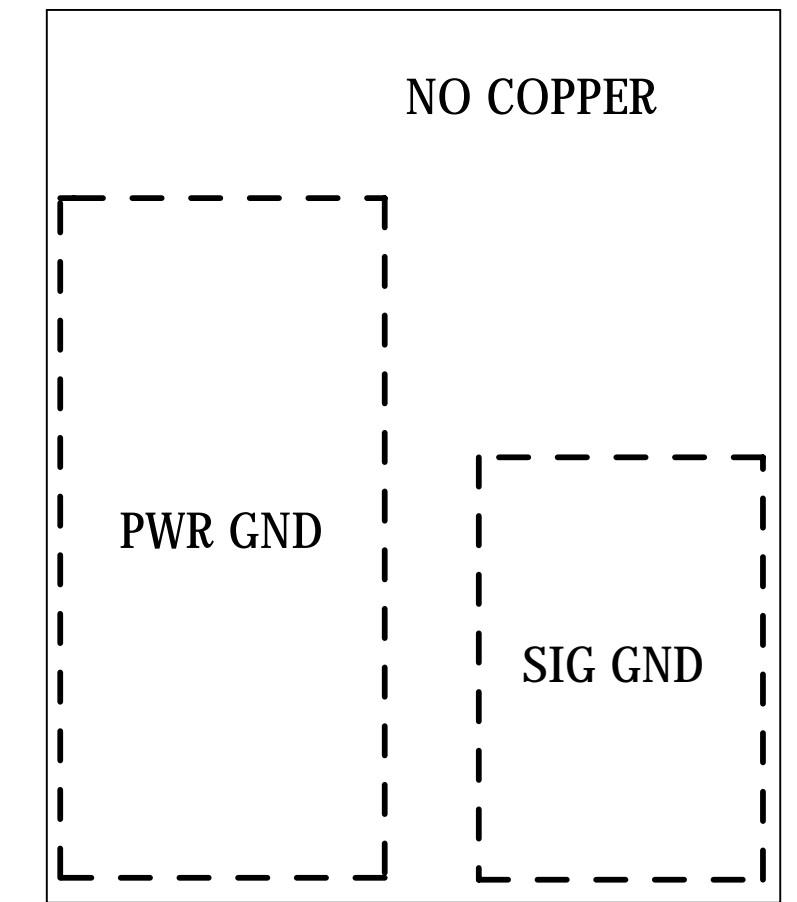
MAIN I/F



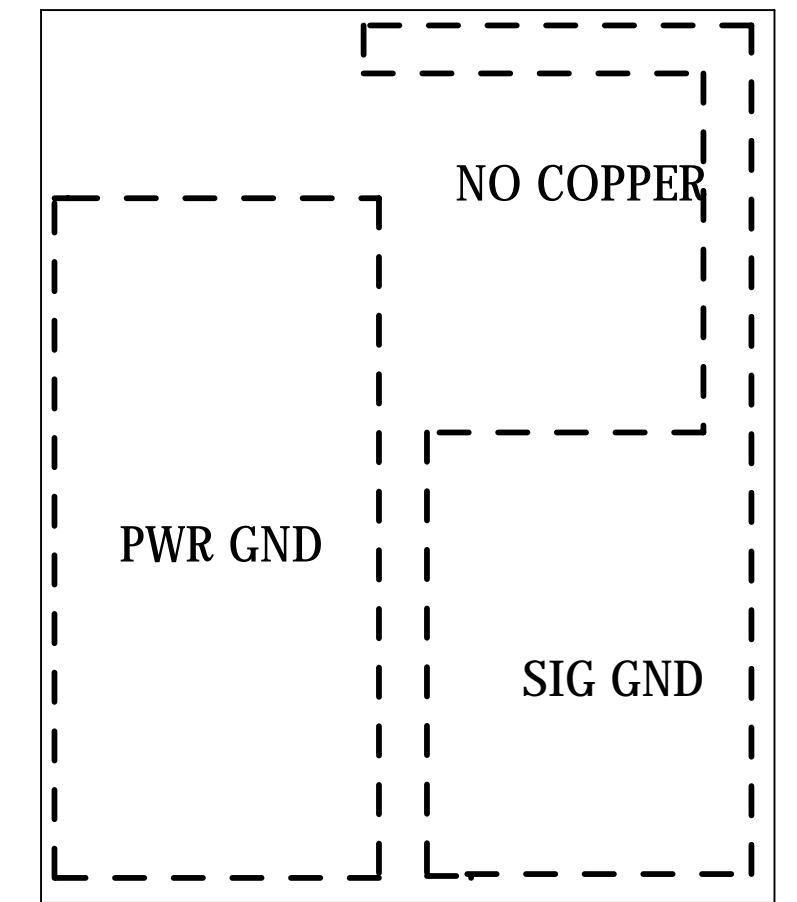
TOP
NO COPPER



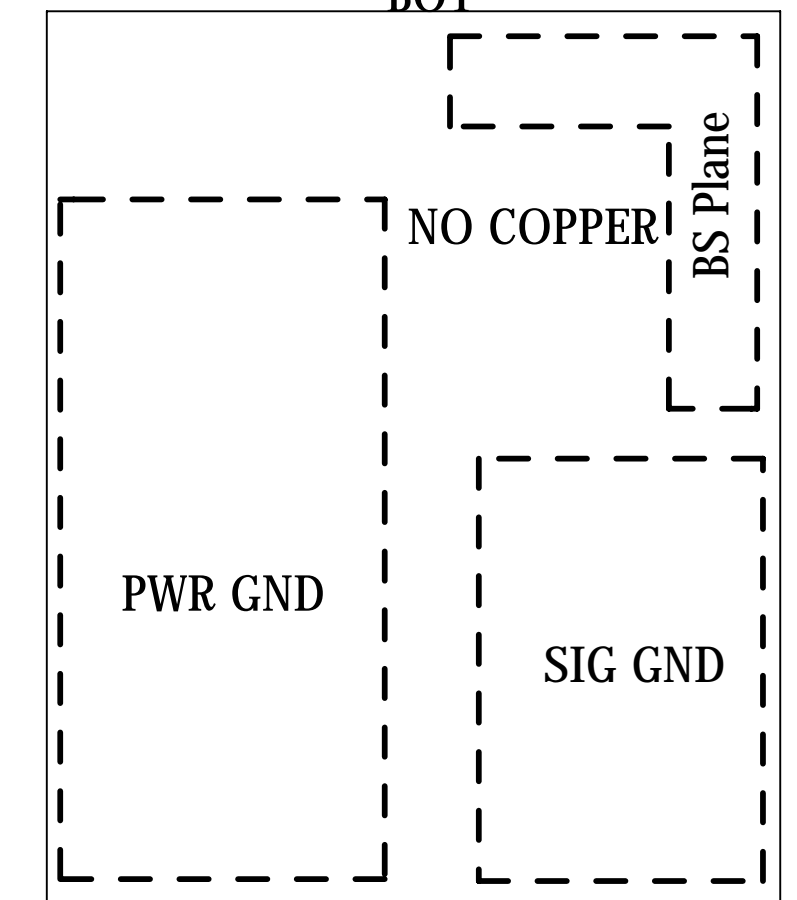
L1



L2



BOT



COMPANY: <Company Name>

TITLE: <Title>

DRAWN: <Drawn By>	DATED: <Drawn Date>
CHECKED: <Checked By>	DATED: <Checked Date>
QUALITY CONTROL: <QC By>	DATED: <QC Date>
RELEASED: <Released By>	DATED: <Release Date>

CODE	SIZE	DRAWING NO.	REV.
<Code>	D	<Drawing Number>	<Revision>
SCALE: <Scale>		SHEET: 2 / 2	