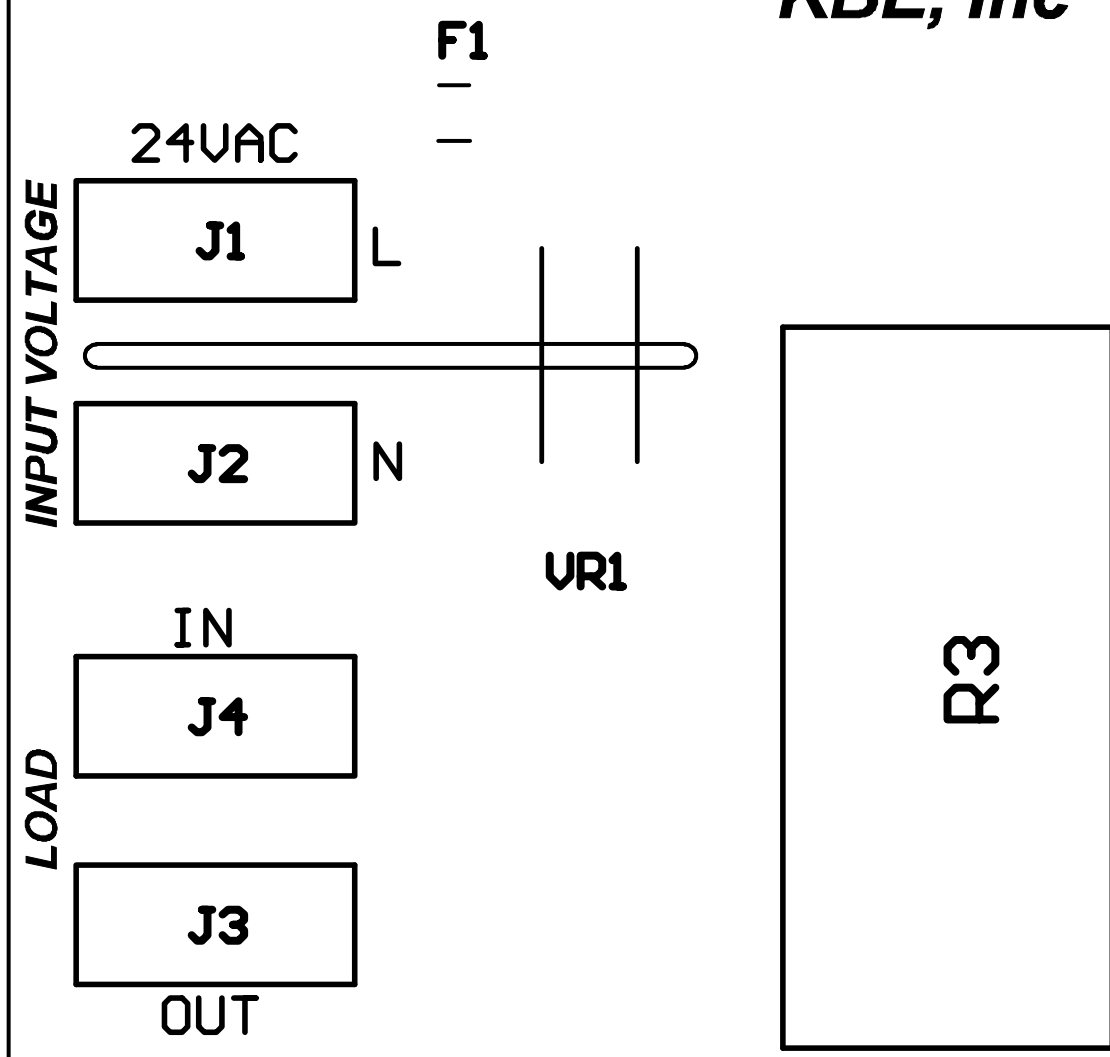


NO FREEZE CONTROL BOARD

KBE, Inc



PCBA 083-1000 Rev3.0
 S/N XXXXXXXXXX

