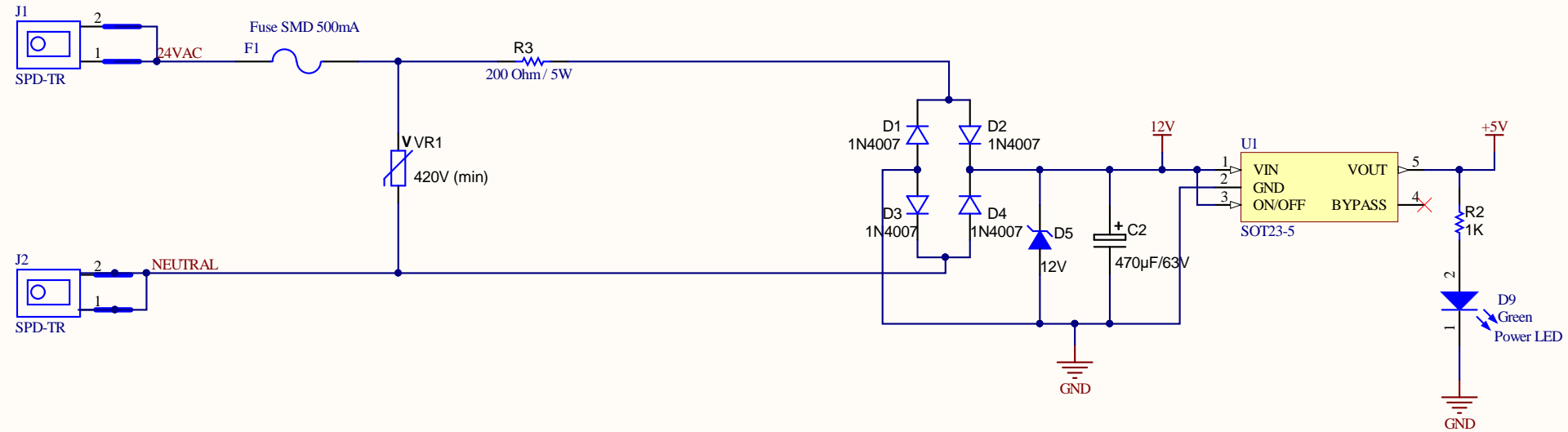
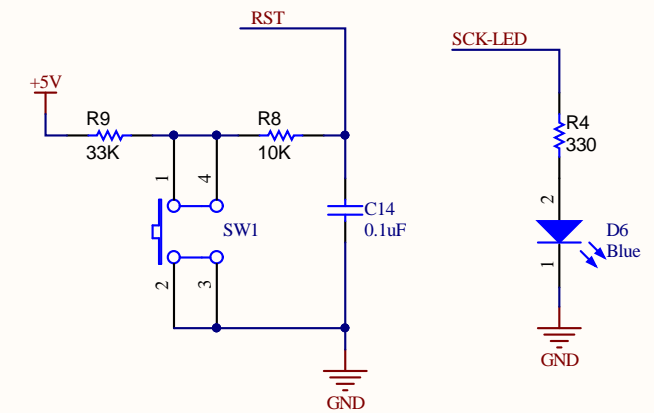
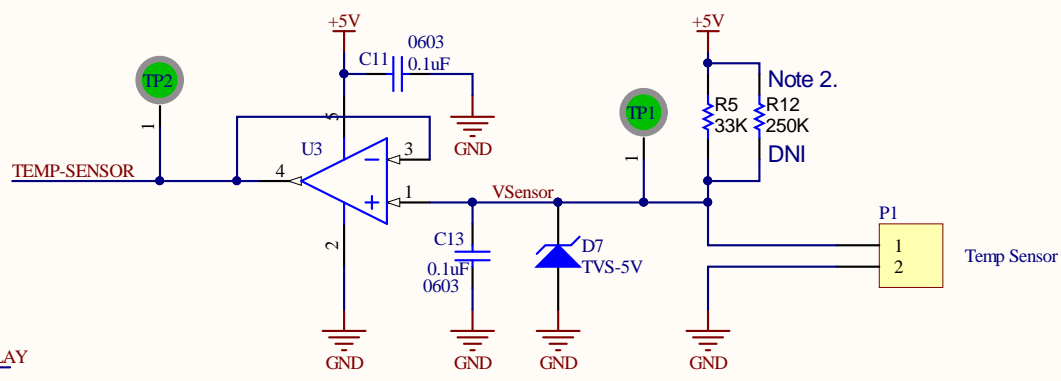
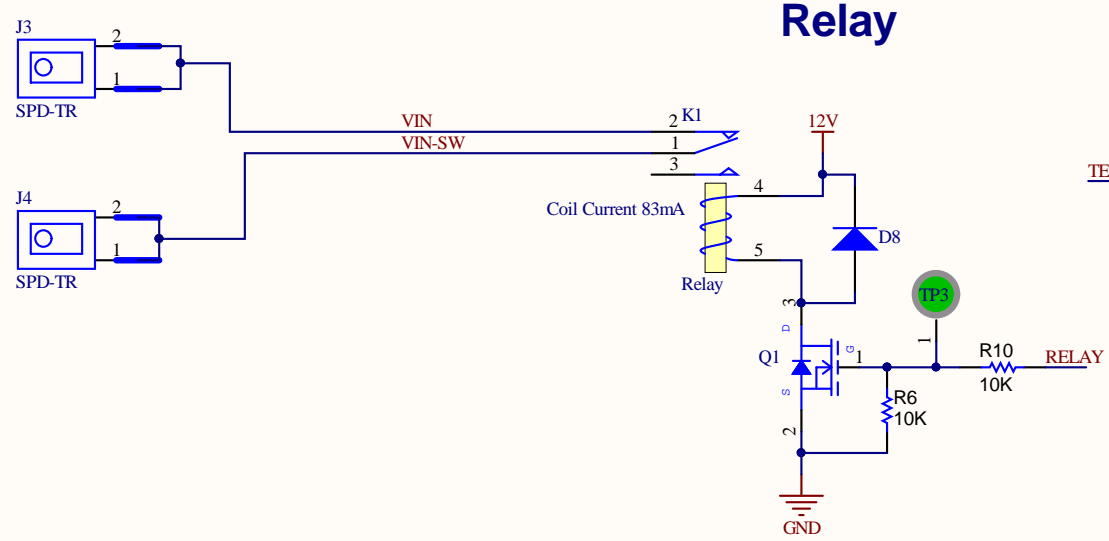


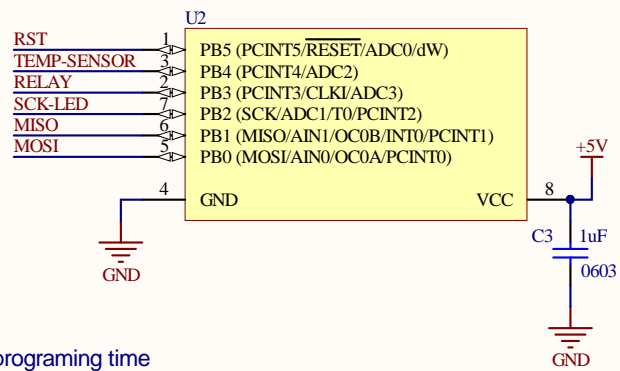
AC/DC Power Supply



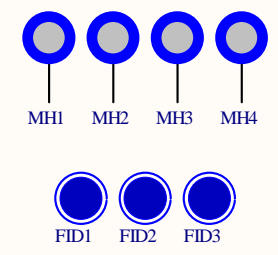
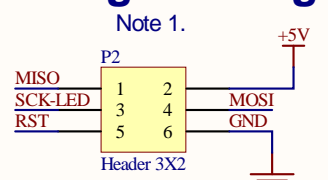
Relay



Microcontroller



ISP Programming Port



Notes:

1. P2 is DNI, ISP programming device has to include spring pogo pins to make contact with PCBA only during programming time
2. R12 is DNI, Use to tune-up temperature triggering point if necessary

Rev	Date	Designer	Changes
1.0	11/26/17	GG	Initial Release
2.0	12/20/17	GG	Make contactor independent from Vin, added resistor for 24V
3.0	3/26/18	GG	Remove 120VAC capabilities (removed R11, P3, R1, C1), relocated VR1. Added R12 to fine tune thermistor triggering temp if necessary, changed C2 to 63V, Added test points TP2 and TP3 for DFM

Title		
No Freeze Control Board		
Size	Number	Revision
B	083-1001	3.0
Date:	3/26/2018	Time: 8:50:30 PM
File:	C:\PROJECTS\...\Sheet1.SchDoc	Sheet 1 of 1
	Drawn By:	G.G