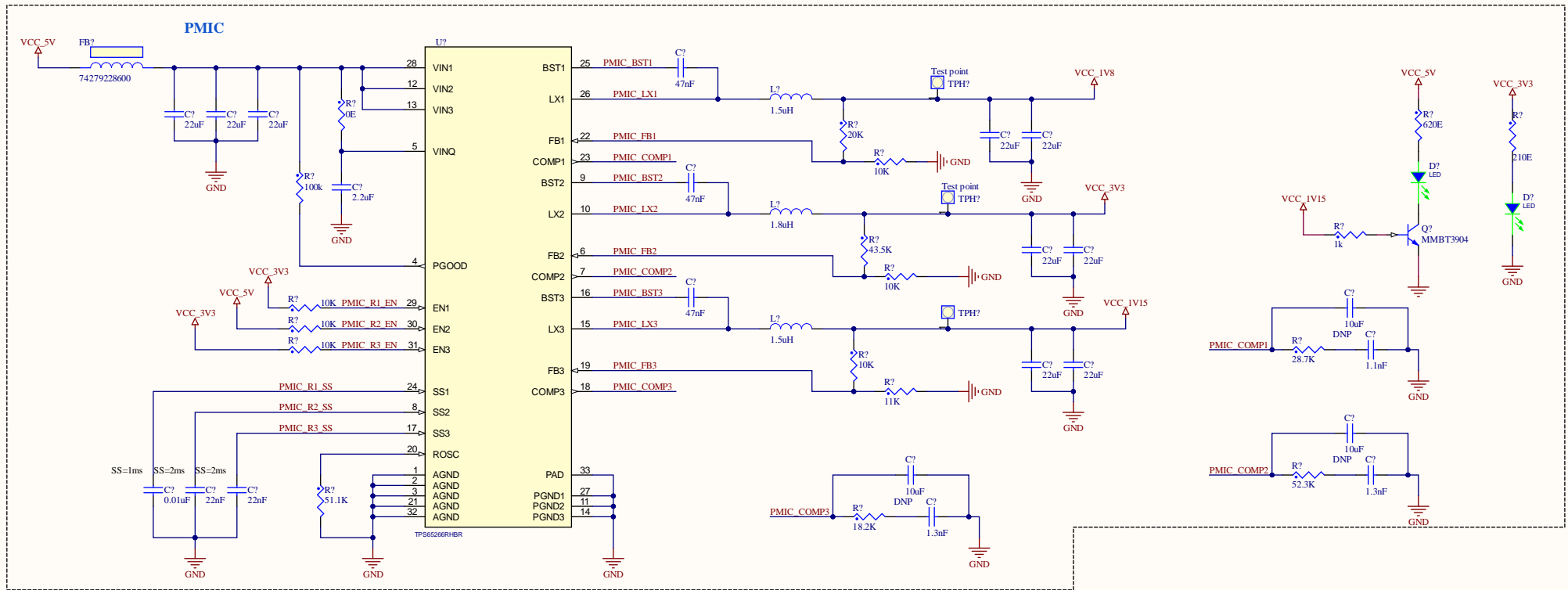


THIS DOCUMENT AND THE DATA DISCLOSED HEREIN OR HEREWITH IS THE PROPERTY OF ALTUM LIMITED AND MAY BE FREELY DISTRIBUTED IN WHOLE. NO RIGHTS ARE RESERVED OR EXPRESS OR IMPLIED WARANTEE GIVEN.

REVISION	DESCRIPTION	DATE	APPROVED



APPROVALS	DATE	PROJECT	Altium
ENG: -		PROJECT REVISION: -	DOCUMENT REVISION: -
DSN: -		CHK: -	DESIGN ITEM: -
REFERENCE DOCUMENTS		* Not in version control	
BOM:		* Not in version control	
ASSY DWG:	SIZE: A3	CAGE CODE:	DWG NO.:
FAB DWG:	SCALE:	FILE NAME: PMIC.SchDoc	SHEET * OF *
PCB DWG:			