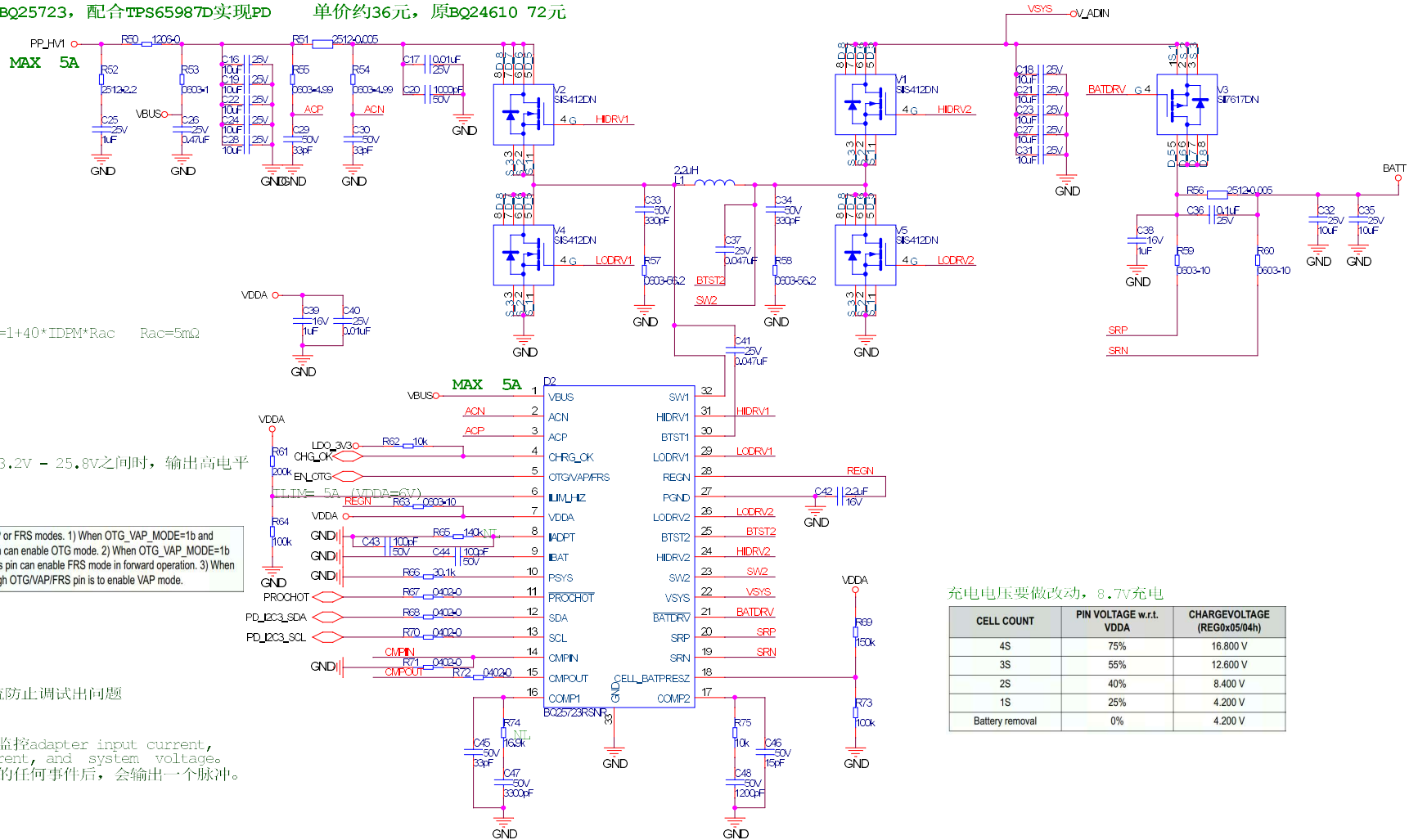


CHG 新充电芯片BQ25723, 配合TPS65987D实现PD 单价约36元, 原BQ24610 72元



输入电流设置Pin6: $V6=1+40 \cdot I_{DPM} \cdot R_{ac}$ $R_{ac}=5m\Omega$

CHG_OK: VBUS电压位于3.2V - 25.8V之间时, 输出高电平

EN_OTG: OTG/VAP/FRS

Active HIGH to enable OTG, VAP or FRS modes. 1) When OTG_VAP_MODE=1b and EN_OTG=1b, pulling high this pin can enable OTG mode. 2) When OTG_VAP_MODE=1b and EN_FRS=1b, pulling high this pin can enable FRS mode in forward operation. 3) When OTG_VAP_MODE=0b, pulling high OTG/VAP/FRS pin is to enable VAP mode.

详见手册9.3.10

PIN9 IBAT

可提前设置一个充电电流防止调试出问题

PROCHOT: 低电平有效。监控adapter input current, battery discharge current, and system voltage. 触发PROCHOT配置文件中的任何事件后, 会输出一个脉冲。详见BQ25723手册。

I2C配置详见手册9.5.1

I2C Register Map 见手册9.6

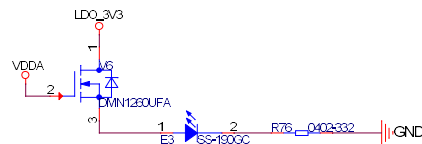
PIN8 IADPT 适配器电流监控输出引脚

表 9-4. Inductor Detection through IADPT Resistance

INDUCTOR IN USE	RESISTOR ON IADPT PIN
1 μ H (recommended for 1200 kHz)	90 k Ω
1.5 μ H (recommended for 800 kHz)	121 k Ω
2.2 μ H (recommended for 800 kHz)	137 k Ω or 140 k Ω
3.3 μ H (recommended for 800 kHz)	169 k Ω

PIN9 IBAT

电池电流监控输出引脚

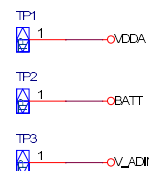


16.9k电阻已作废, 但可以领料
140k电阻已作废, 但可以领料

充电电压要做改动, 8.7V充电

CELL COUNT	PIN VOLTAGE w.r.t. VDDA	CHARGE VOLTAGE (REG0x05/04h)
4S	75%	16.800 V
3S	55%	12.600 V
2S	40%	8.400 V
1S	25%	4.200 V
Battery removal	0%	4.200 V

TEST POINTS POWER BQ CHARGER



Title	<Title>	Rev	<Rev Code>
See	Document Number		
A3	<Doc>		
Date:	Friday, October 20, 2023	Sheet	3 of 16