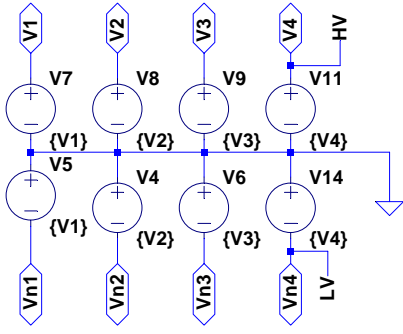


CLASS G Audio Amp Linear Poly Rail PSU +/- 3 power rails.

GARY DAVIES (c) 2017
lion.palmbeach@gmail.com
Goat Electronics LTD

For more than 10 Amps, use banks of mosfets



```
.inc Ecf20p20.lib
.inc Ecf20n20.lib

.param r=250
.param A=50

.step param r 50 5000 100

.param V1=25
.param V2=60
.param V3=120
.param V4=150

.tran .1
```

