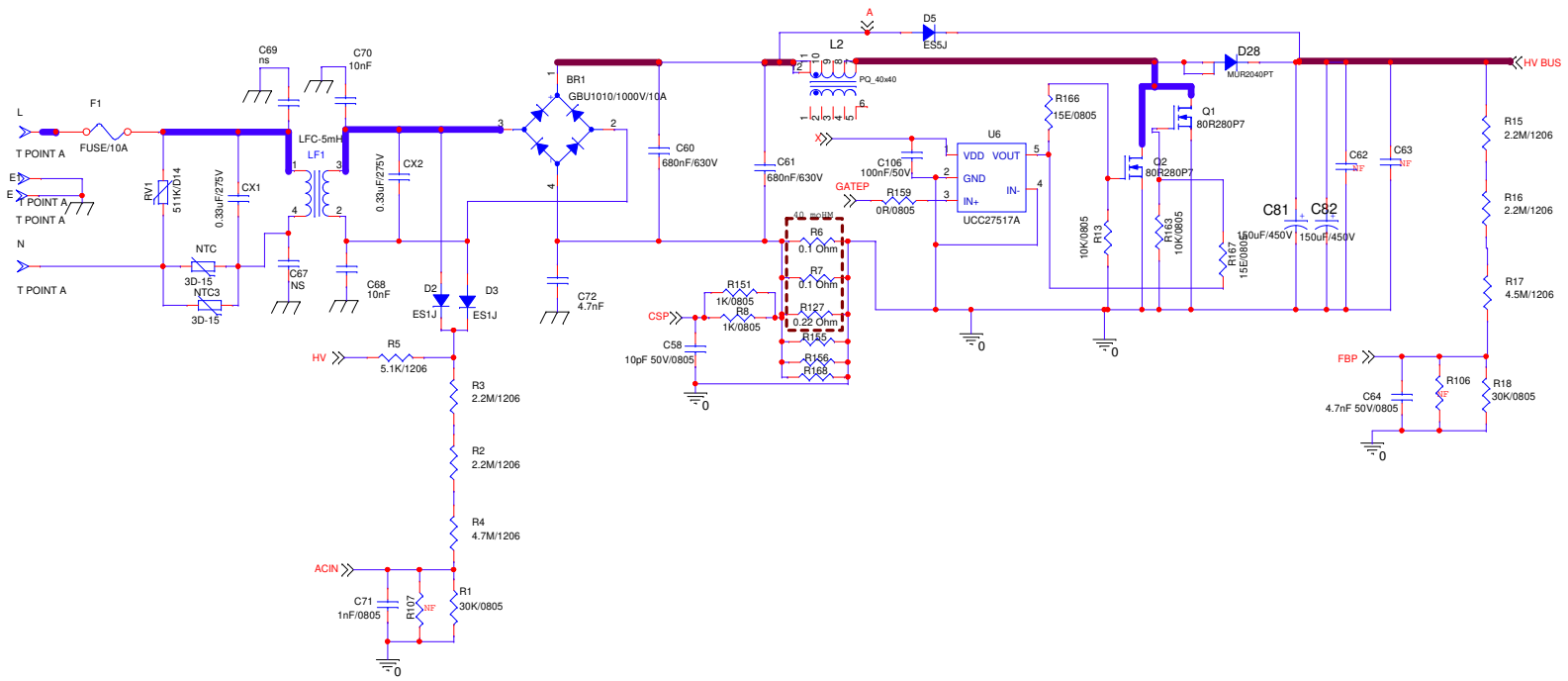


# PFC



File		<Title>
Size	Document Number	Rev
A3	<Doc>	<Rev>
Date:	Monday, August 21, 2023	Sheet 3 of 3