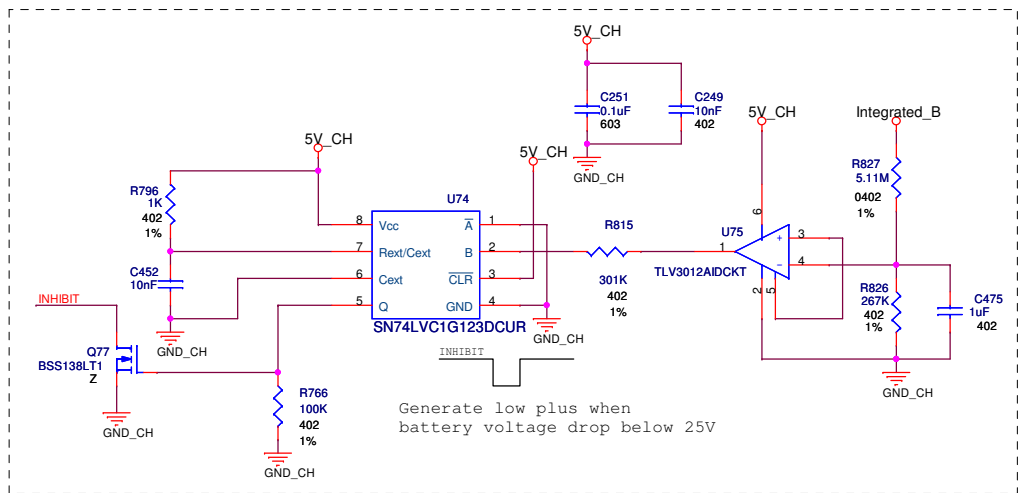
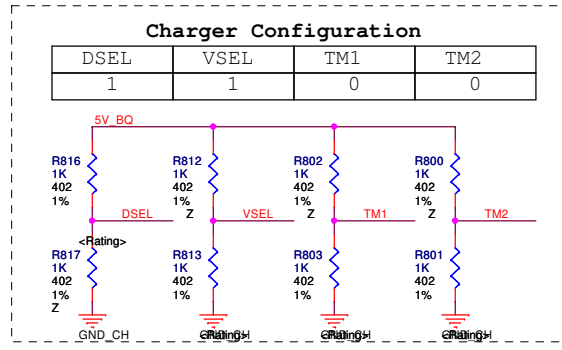


- 23 charg_LED1
- 23 charg_LED2
- 8 charg_DONE



<Variant Name>

Charger		
File	Main Board P/N: 506HC020-03	
Size	Document Number	Rev
A3		D
Date:	Thursday, February 21, 2013	Sheet 9 of 30