

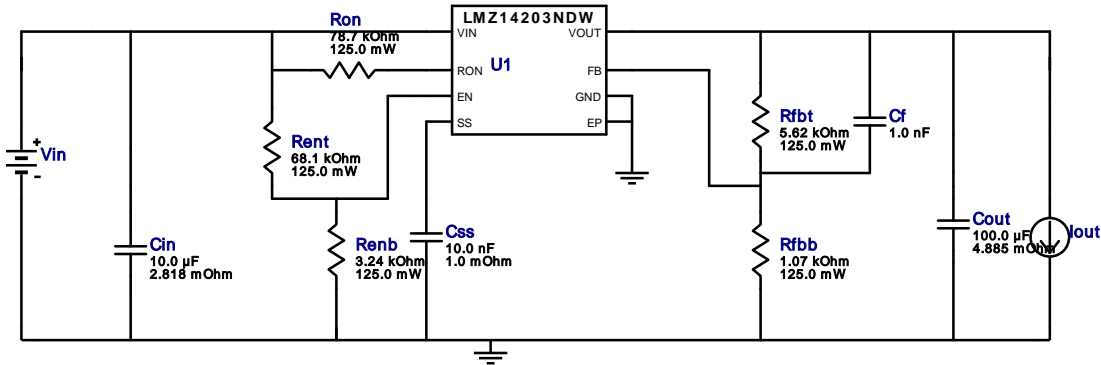
VinMin = 26.0V
 VinMax = 26.0V
 Vout = 5.0V
 Iout = 3.0A

Device = LMZ14203TZ-ADJ/NOPB
 Topology = Buck
 Created = 2021-10-24 22:51:44.055
 BOM Cost = \$10.04
 BOM Count = 10
 Total Pd = 2.34W

WEBENCH® Design Report

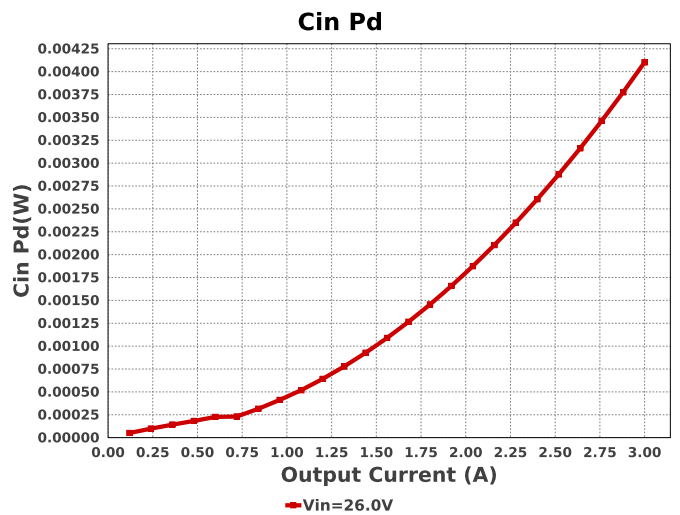
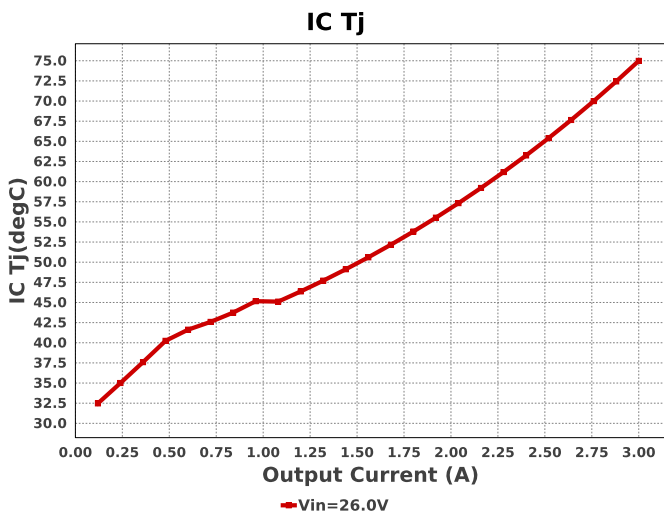
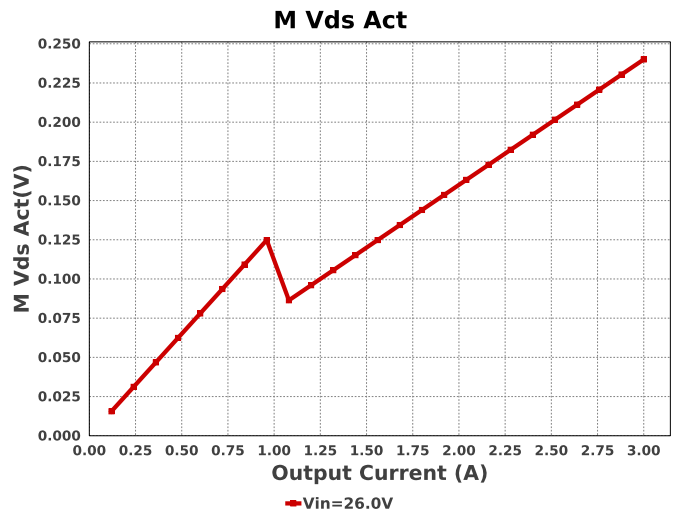
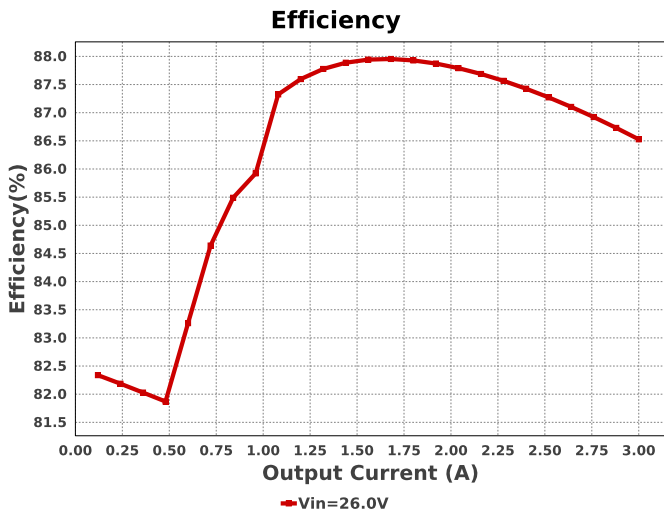
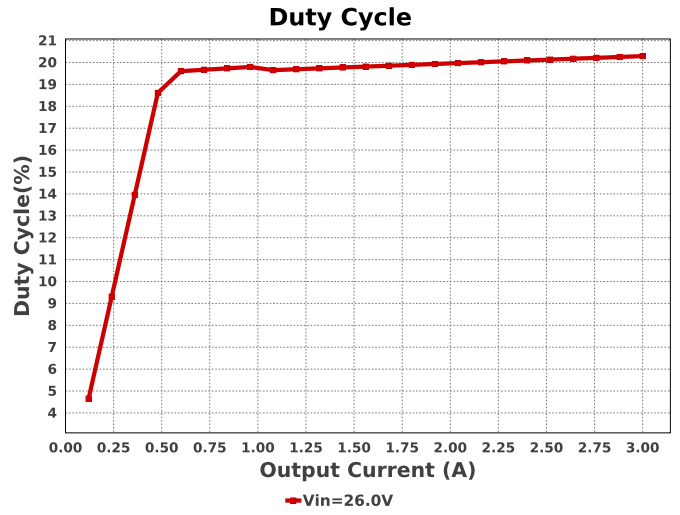
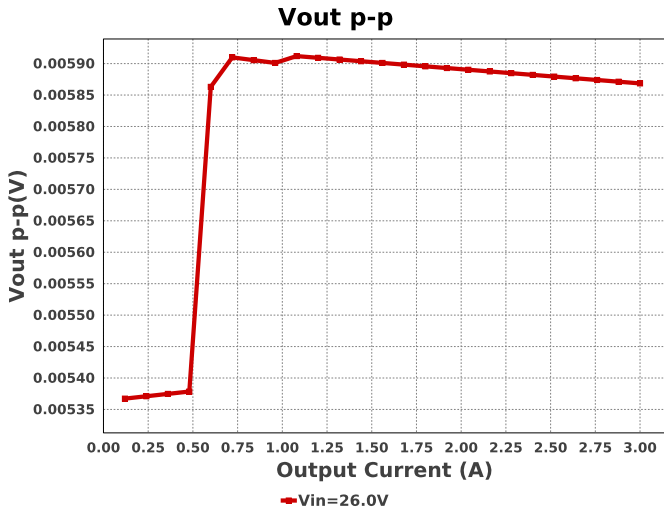
Design : 1 LMZ14203TZ-ADJ/NOPB
 LMZ14203TZ-ADJ/NOPB 12V-26V to 5.00V @ 3A

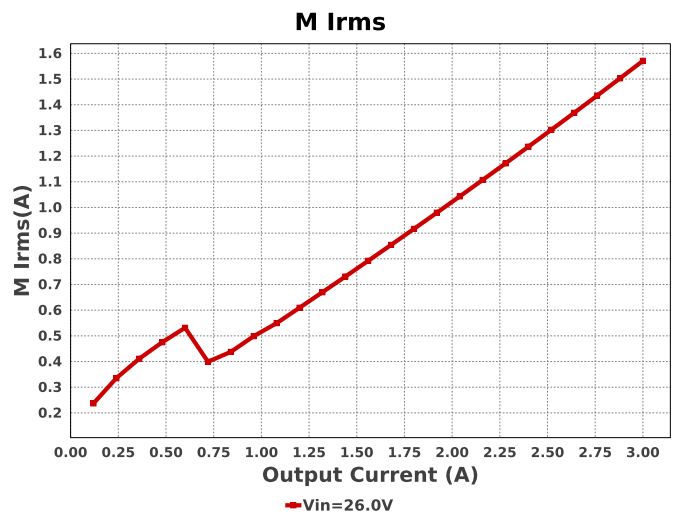
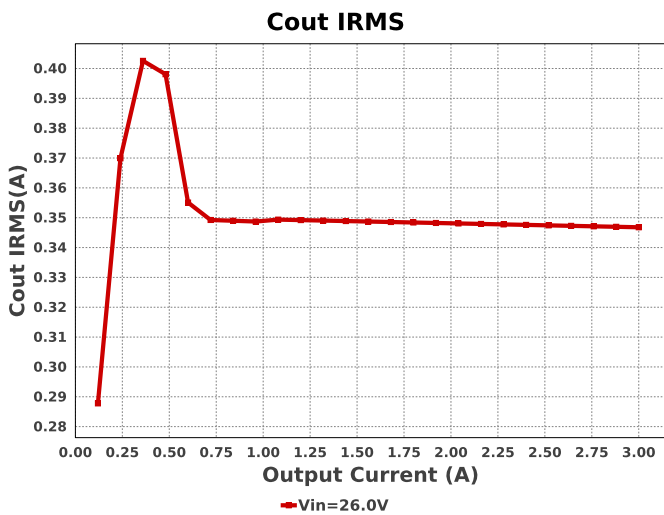
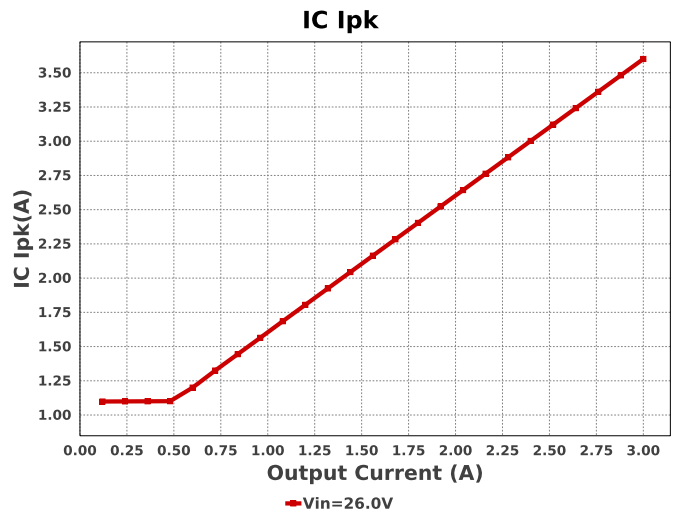
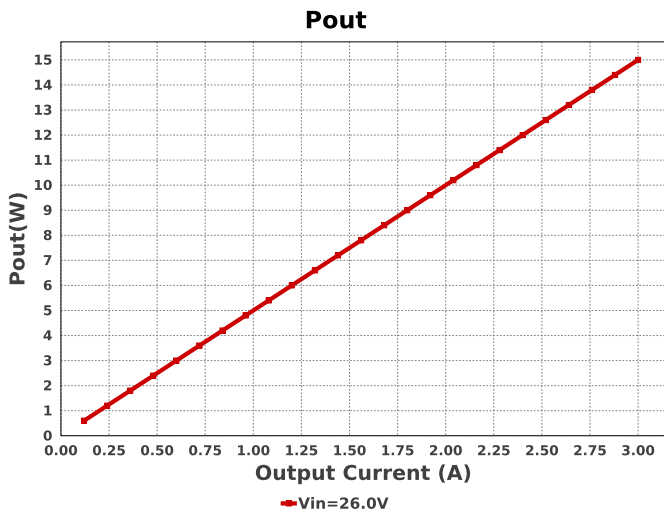
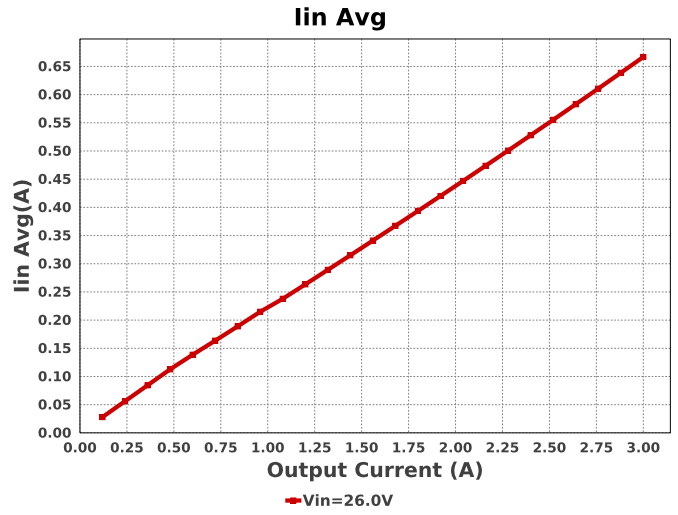
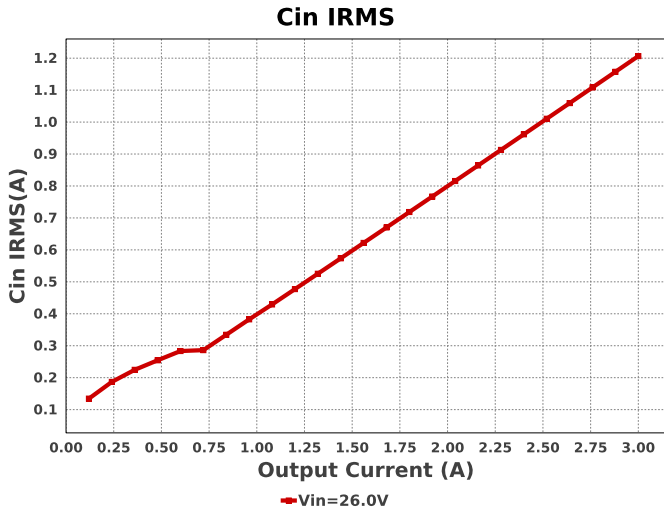
Vout = 5.0V
 Iout = 3.0A

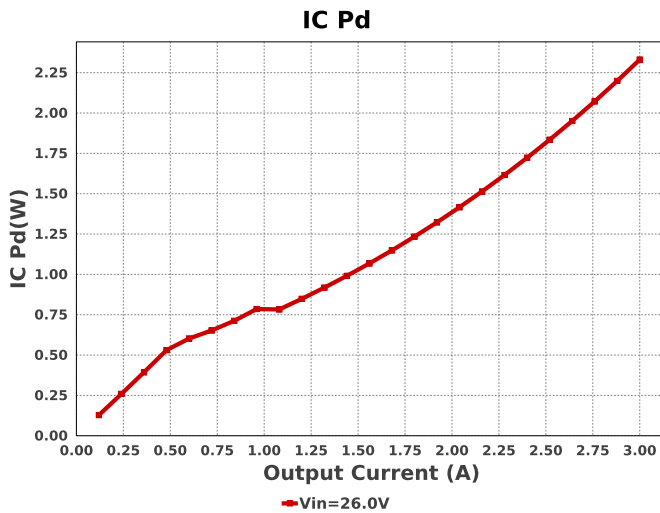
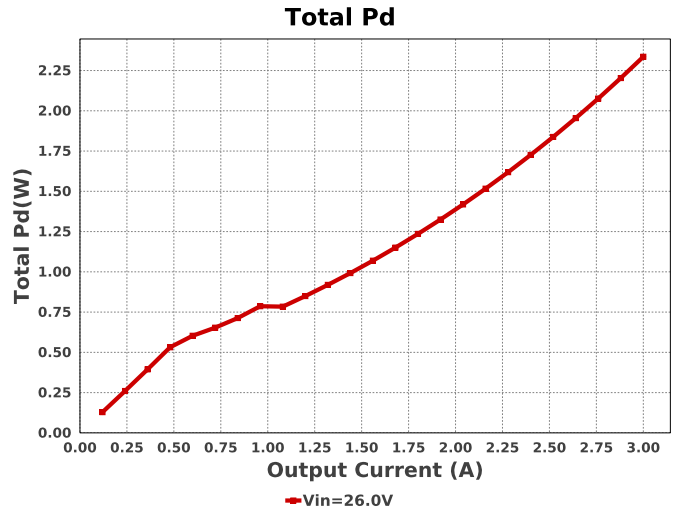
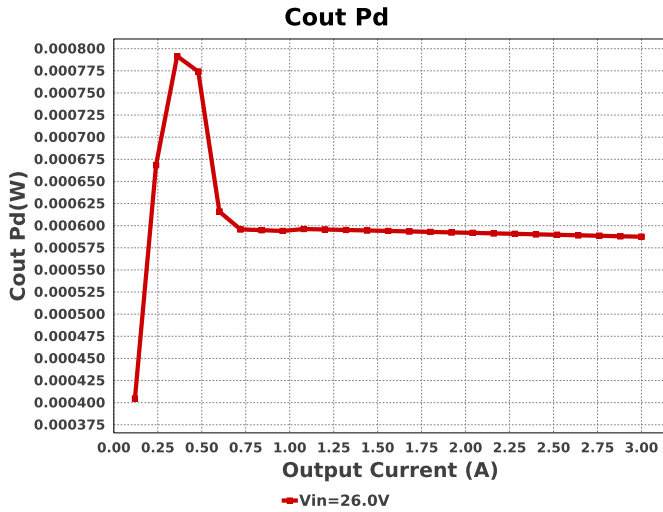


Electrical BOM

Name	Manufacturer	Part Number	Properties	Qty	Price	Footprint
Cf	MuRata	GRM1555C1H102JA01J Series= C0G/NP0	Cap= 1.0 nF VDC= 50.0 V IRMS= 0.0 A	1	\$0.01	0402 3 mm ²
Cin	TDK	C2012X5R1V106K085AC Series= X5R	Cap= 10.0 uF ESR= 2.818 mOhm VDC= 35.0 V IRMS= 3.8868 A	1	\$0.17	0805 7 mm ²
Cout	MuRata	GRM31CR60J107ME39L Series= X5R	Cap= 100.0 uF ESR= 4.885 mOhm VDC= 6.3 V IRMS= 4.4118 A	1	\$0.34	1206_190 11 mm ²
Css	MuRata	GRM216R71H103KA01D Series= X7R	Cap= 10.0 nF ESR= 1.0 mOhm VDC= 50.0 V IRMS= 0.0 A	1	\$0.01	0805 7 mm ²
Renb	Panasonic	ERJ-6ENF3241V Series= ERJ-6E	Res= 3.24 kOhm Power= 125.0 mW Tolerance= 1.0%	1	\$0.01	0805 7 mm ²
Rent	Panasonic	ERJ-6ENF6812V Series= ERJ-6E	Res= 68.1 kOhm Power= 125.0 mW Tolerance= 1.0%	1	\$0.01	0805 7 mm ²
Rfbb	Panasonic	ERJ-6ENF1071V Series= ERJ-6E	Res= 1.07 kOhm Power= 125.0 mW Tolerance= 1.0%	1	\$0.01	0805 7 mm ²
Rfbt	Panasonic	ERJ-6ENF5621V Series= ERJ-6E	Res= 5.62 kOhm Power= 125.0 mW Tolerance= 1.0%	1	\$0.01	0805 7 mm ²
Ron	Vishay-Dale	CRCW080578K7FKEA Series= CRCW..e3	Res= 78.7 kOhm Power= 125.0 mW Tolerance= 1.0%	1	\$0.01	0805 7 mm ²
U1	Texas Instruments	LMZ14203TZ-ADJ/NOPB	Switcher	1	\$9.46	NDW0007A 192 mm ²







Operating Values

#	Name	Value	Category	Description
1.	Cin IRMS	1.207 A	Capacitor	Input capacitor RMS ripple current
2.	Cin Pd	4.102 mW	Capacitor	Input capacitor power dissipation
3.	Cout IRMS	346.795 mA	Capacitor	Output capacitor RMS ripple current
4.	Cout Pd	587.5 μ W	Capacitor	Output capacitor power dissipation
5.	IC Ipk	3.601 A	IC	Peak switch current in IC
6.	IC Pd	2.331 W	IC	IC power dissipation
7.	IC Tj	74.986 degC	IC	IC junction temperature
8.	IC Tolerance	20.0 mV	IC	IC Feedback Tolerance
9.	ICThetaJA	19.3 degC/W	IC	IC junction-to-ambient thermal resistance
10.	Iin Avg	666.75 mA	IC	Average input current
11.	M1 Irms	1.571 A	Mosfet	Q Iavg
12.	M Vds Act	240.0 mV	Mosfet	Voltage drop across the MosFET
13.	Cin Pd	4.102 mW	Power	Input capacitor power dissipation
14.	Cout Pd	587.5 μ W	Power	Output capacitor power dissipation
15.	IC Pd	2.331 W	Power	IC power dissipation
16.	Total Pd	2.336 W	Power	Total Power Dissipation
17.	BOM Count	10	System	Total Design BOM count
18.	Duty Cycle	20.292 %	System	Duty cycle
19.	Efficiency	86.527 %	System	Steady state efficiency
20.	FootPrint	253.0 mm ²	System	Total Foot Print Area of BOM components
21.	Frequency	488.711 kHz	System	Switching frequency
22.	Iout	3.0 A	System	Iout operating point
23.	Mode	CCM	System	Conduction Mode
24.	Pout	15.0 W	System	Total output power

#	Name	Value	Category	Description
25.	Total BOM	\$10.04	System Information	Total BOM Cost
26.	Vin	26.0 V	System Information	Vin operating point
27.	Vout	5.0 V	System Information	Operational Output Voltage
28.	Vout Actual	5.002 V	System Information	Vout Actual calculated based on selected voltage divider resistors
29.	Vout Tolerance	4.24 %	System Information	Vout Tolerance based on IC Tolerance (no load) and voltage divider resistors if applicable
30.	Vout p-p	5.869 mV	System Information	Peak-to-peak output ripple voltage

Design Inputs

Name	Value	Description
Iout	3.0	Maximum Output Current
VinMax	26.0	Maximum input voltage
VinMin	26.0	Minimum input voltage
Vout	5.0	Output Voltage
base_pn	LMZ14203	Base Product Number
source	DC	Input Source Type
Ta	30.0	Ambient temperature

WEBENCH® Assembly

Component Testing

Some published data on components in datasheets such as Capacitor ESR and Inductor DC resistance is based on conservative values that will guarantee that the components always exceed the specification. For design purposes it is usually better to work with typical values. Since this data is not always available it is a good practice to measure the Capacitance and ESR values of C_{in} and C_{out} , and the inductance and DC resistance of L1 before assembly of the board. Any large discrepancies in values should be electrically simulated in WEBENCH to check for instabilities and thermally simulated in WebTHERM to make sure critical temperatures are not exceeded.

Soldering Component to Board

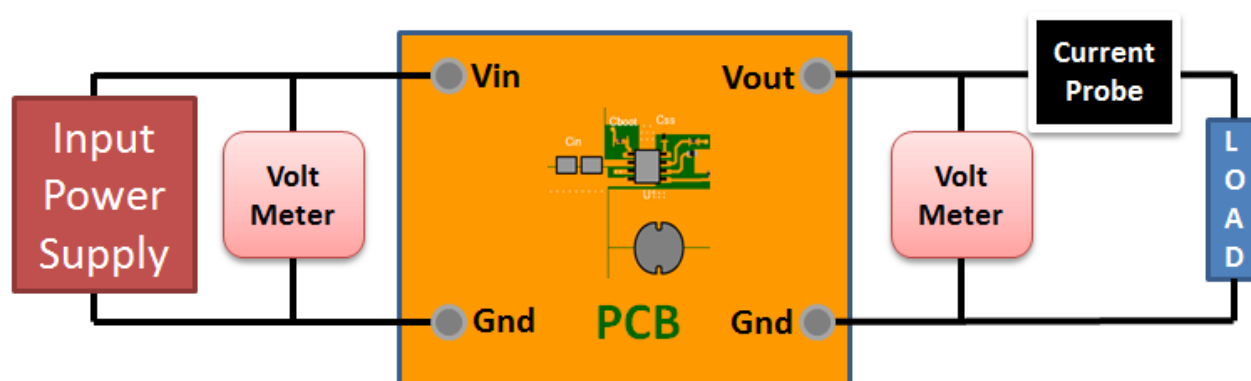
If board assembly is done in house it is best to tack down one terminal of a component on the board then solder the other terminal. For surface mount parts with large tabs, such as the DPAK, the tab on the back of the package should be pre-tinned with solder, then tacked into place by one of the pins. To solder the tab down to the board place the iron down on the board while resting against the tab, heating both surfaces simultaneously. Apply light pressure to the top of the plastic case until the solder flows around the part and the part is flush with the PCB. If the solder is not flowing around the board you may need a higher wattage iron (generally 25W to 30W is enough).

Initial Startup of Circuit

It is best to initially power up the board by setting the input supply voltage to the lowest operating input voltage 26.0V and set the input supply's current limit to zero. With the input supply off connect up the input supply to V_{in} and GND. Connect a digital volt meter and a load if needed to set the minimum load of the design from V_{out} and GND. Turn on the input supply and slowly turn up the current limit on the input supply. If the voltage starts to rise on the input supply continue increasing the input supply current limit while watching the output voltage. If the current increases on the input supply, but the voltage remains near zero, then there may be a short or a component misplaced on the board. Power down the board and visually inspect for solder bridges and recheck the diode and capacitor polarities. Once the power supply circuit is operational then more extensive testing may include full load testing, transient load and line tests to compare with simulation results.

Load Testing

The setup is the same as the initial startup, except that an additional digital voltmeter is connected between V_{in} and GND, a load is connected between V_{out} and GND and a current meter is connected in series between V_{out} and the load. The load must be able to handle at least rated output power + 50% (7.5 watts for this design). Ideally the load is supplied in the form of a variable load test unit. It can also be done in the form of suitably large power resistors. When using an oscilloscope to measure waveforms on the prototype board, the ground leads of the oscilloscope probes should be as short as possible and the area of the loop formed by the ground lead should be kept to a minimum. This will help reduce ground lead inductance and eliminate EMI noise that is not actually present in the circuit.



WEBENCH® Electrical Simulation Report

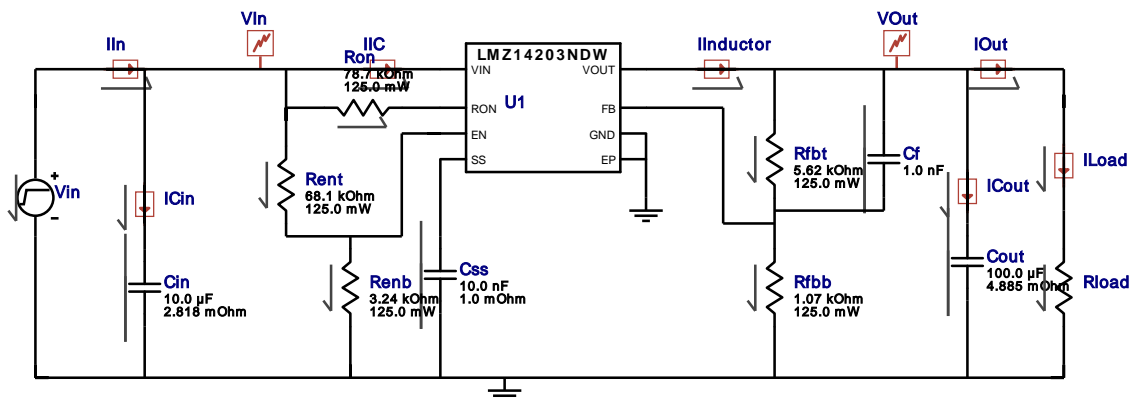
Design Id = 1

sim_id = 2

Simulation Type = Startup

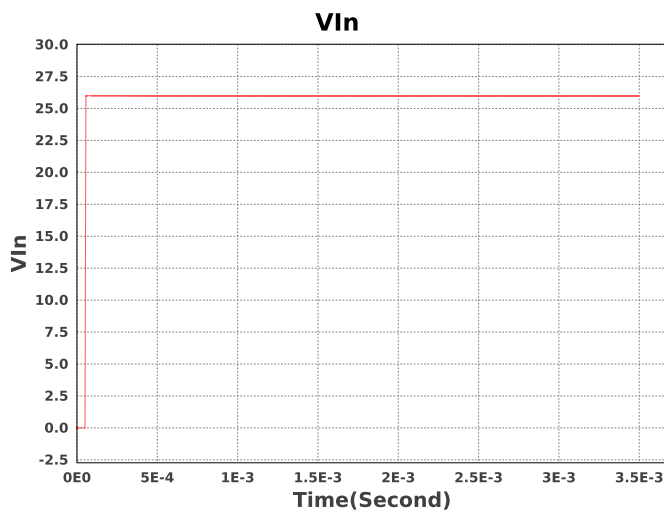
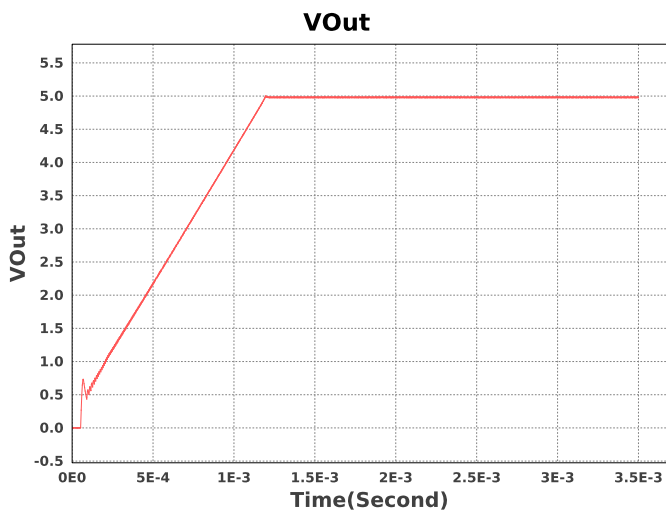
VinMin = 26.0V
VinMax = 26.0V

Vout = 5.0V
Iout = 3.0A



Simulation Parameters

#	Name	Parameter Name	Description	Values
1.	Rload	R	Load Resistance	1.666666666666667 Ohm



Design Assistance

1. Master key : C6596D0777D640C4[v1]
2. LMZ14203 Product Folder : <http://www.ti.com/product/LMZ14203> : contains the data sheet and other resources.

Important Notice and Disclaimer

TI provides technical and reliability data (including datasheets), design resources (including reference designs), application or other design advice, web tools, safety information, and other resources AS IS and with all faults, and disclaims all warranties. These resources are intended for skilled developers designing with TI products. You are solely responsible for (1) selecting the appropriate TI products for your application, (2) designing, validating and testing your application, and (3) ensuring your application meets applicable standards, and any other safety, security, or other requirements.

These resources are subject to change without notice. TI grants you permission to use these resources only for development of an application that uses the TI products described in the resource. Other reproduction and display of these resources is prohibited. No license is granted to any other TI intellectual property right or to any third party intellectual property right. TI disclaims responsibility for, and you will fully indemnify TI and its representatives against, any claims, damages, costs, losses, and liabilities arising out of your use of these resources.

Providing these resources does not expand or otherwise alter TI's applicable Terms of Sale or other applicable terms available either on ti.com or provided in conjunction with TI products.