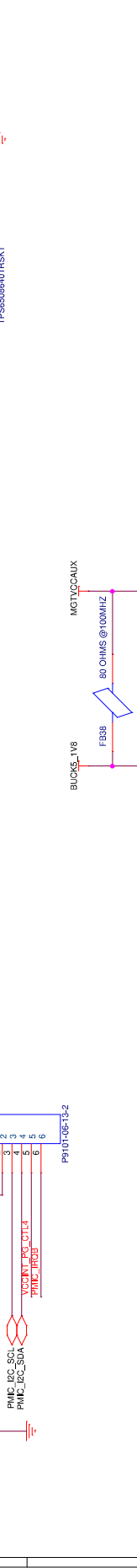
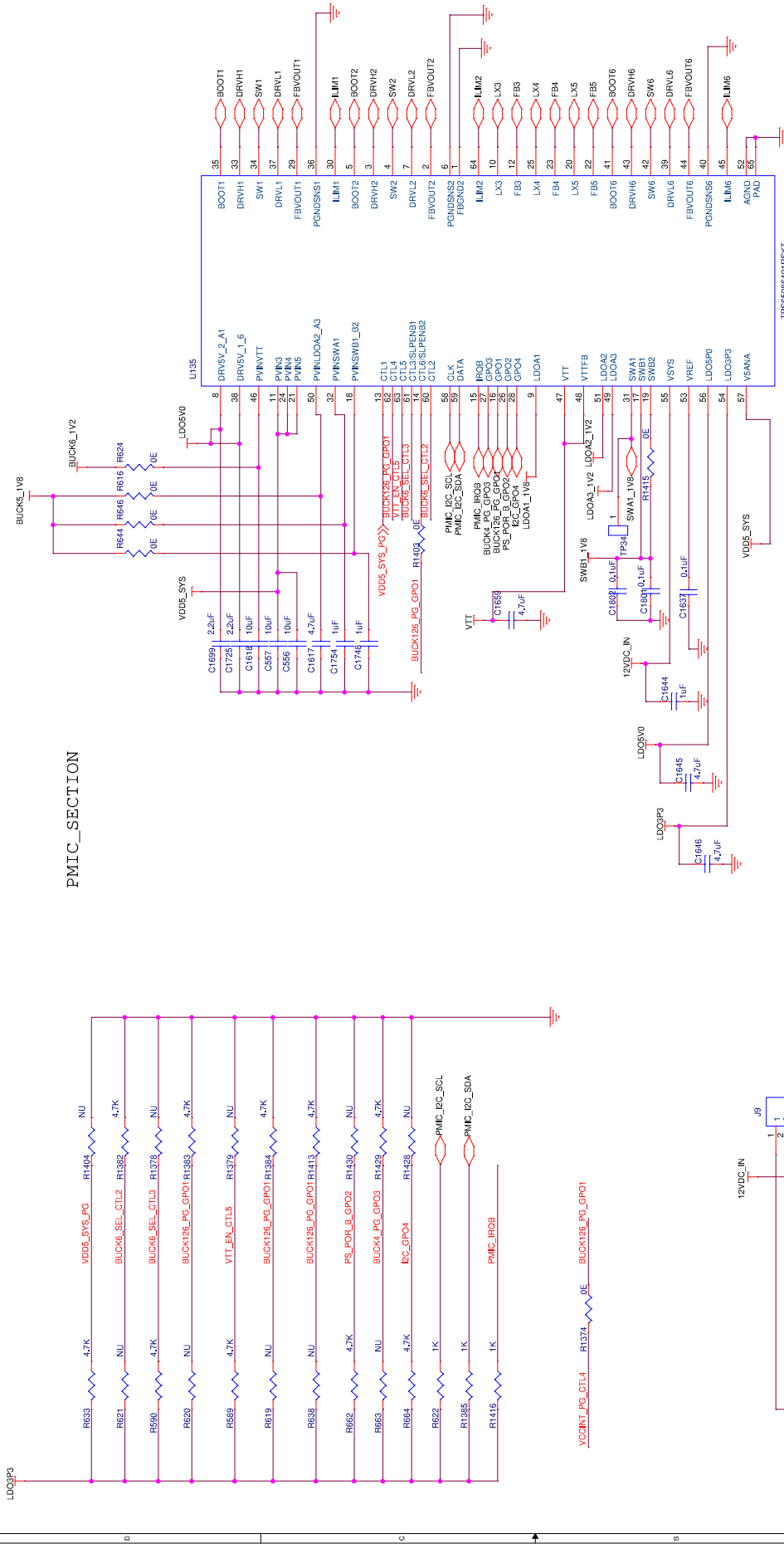
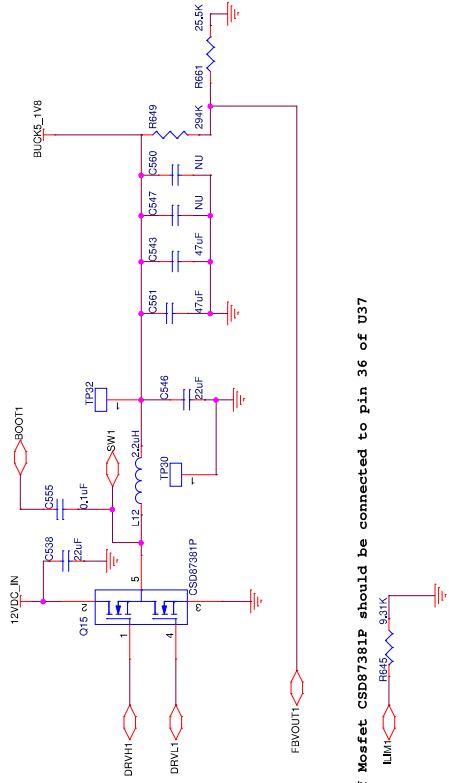


PMIC_SECTION

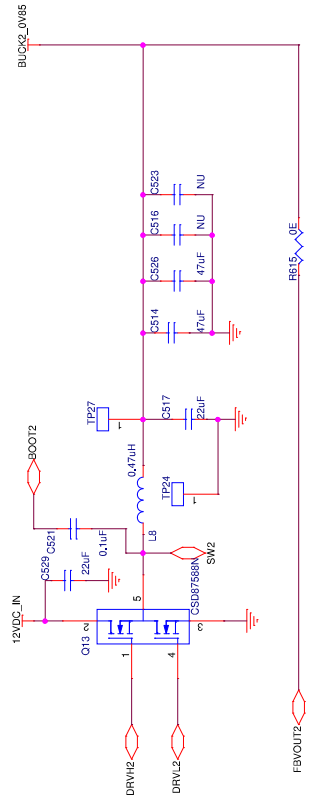


CHKD:	APPD:
CARD NAME: PINE CARD	ISSUE: 01
REV: 00	
DWG. NO. : EPC-PNEQ75/A-9E0	
CENTRE FOR DEVELOPMENT OF TELEMATICS-DELHI	
DATE: 13-02-2023	
SHEET: 52 OF 86	

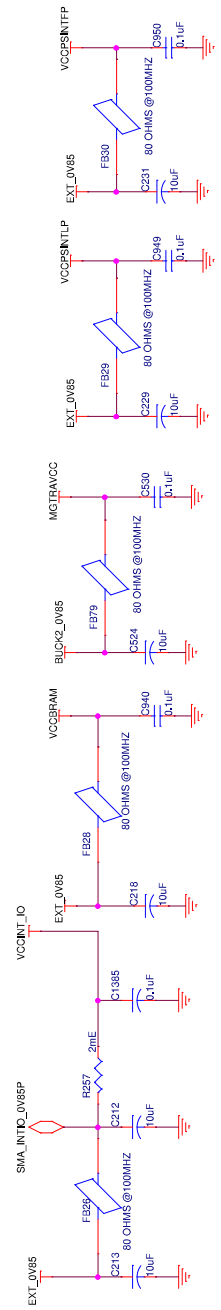
PMIC_BUCK1, 2_6



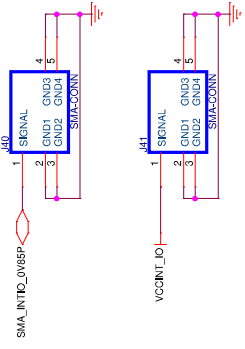
Pin3 of Mosfet CSD87381P should be connected to pin 36 of U37



Pin3 of Mosfet CSD87381P should be connected to pin 6 of U37

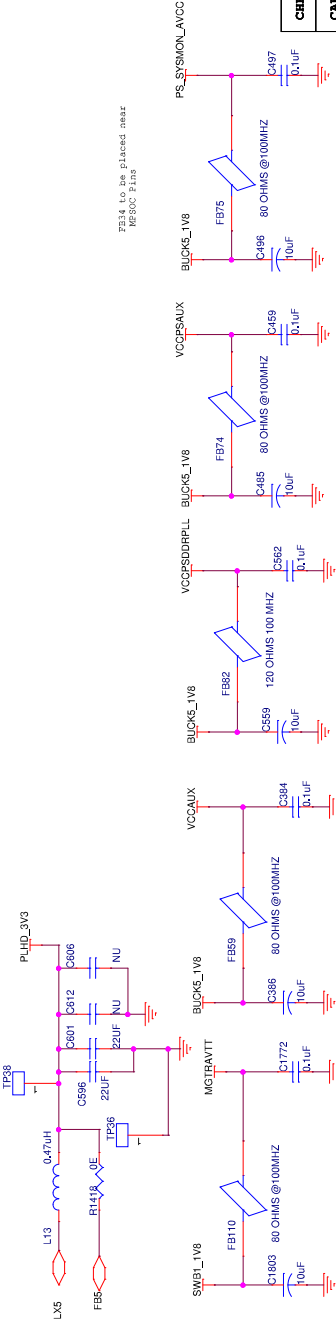
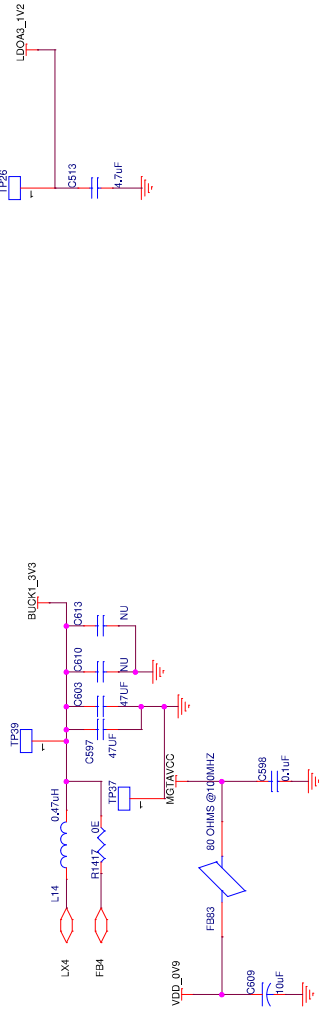
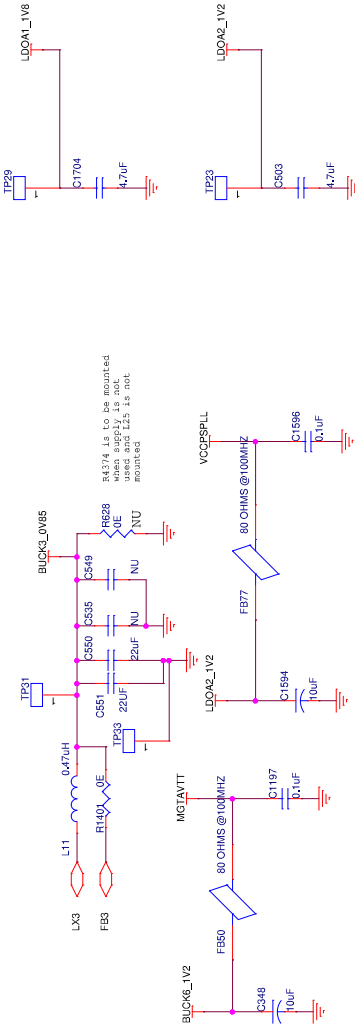


Pin3 of Mosfet CSD87381P should be connected to pin 40 of U37



CHKD:	APPD:
CARD NAME: PINE CARD	ISSUE: 01
REV: 00	
DWG. NO.: EPC-PNE075/J-SE0	
CENTRE FOR DEVELOPMENT OF TELEMATICS-DELHI	
DATE: 13-02-2023	
SHEET: 53 OF 86	

PMIC_BUCK_3,4,5



F314 to be placed near M89C pins

CHKD:	APPD:	ISSUE:	REV:
CARD NAME: PINE CARD	01	00	00
DWG. NO. : EPC-PNEQ75/J-SE0			
CENTRE FOR DEVELOPMENT OF TELEMATICS-DELHI			
C-2007			
DATE: 13-02-2023			
SHEET: 54 OF 86			