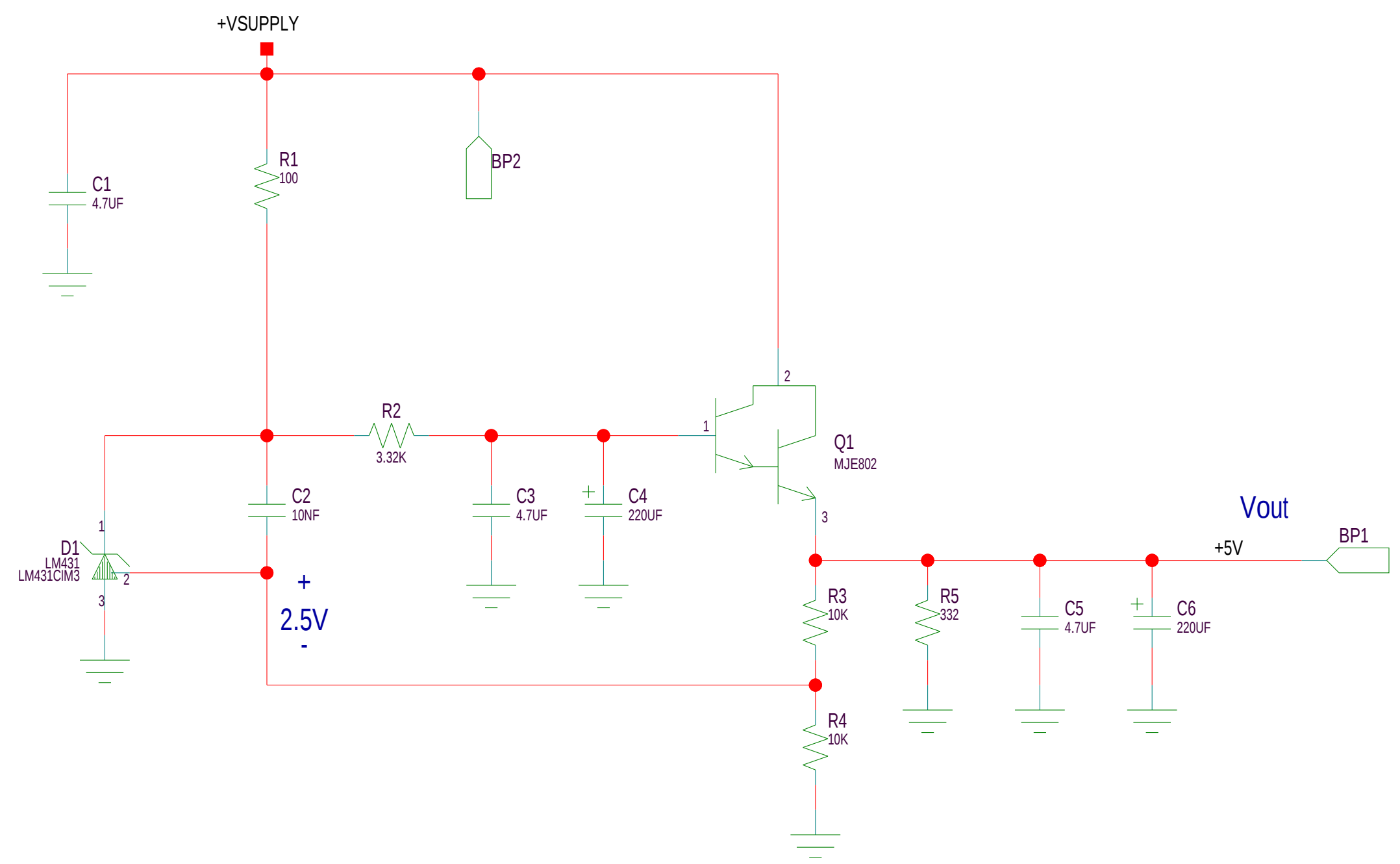


REVISIONS					
REV	ECN#	ZONE	DESCRIPTION	NAME	DATE
3	----	----	BOARD RESPIN	E. ORAN	7/1/08
4	----	----	ADDED NOTE AND LABELS FOR 2.5V AND VOUT	BG/ML	03/16/09




NOTE:

Vout CAN BE MODIFIED BY CHANGING R3 AND/OR R4
USING:

$$V_{out} = 2.5 \left(1 + \frac{R3}{R4} \right) \text{ VOLTS}$$

NOTICE OF PROPRIETARY PROPERTY: THIS DOCUMENT AND THE INFORMATION CONTAINED IN IT ARE THE PROPRIETARY PROPERTY OF HITTITE MICROWAVE CORPORATION. IT MAY NOT BE COPIED OR USED IN ANY MANNER NOR MAY ANY OF THE INFORMATION IN OR UPON IT BE USED FOR ANY PURPOSE WITHOUT THE EXPRESSED WRITTEN CONSENT OF AN AUTHORIZED AGENT OF HITTITE MICROWAVE CORPORATION.

 HITTITE MICROWAVE CORPORATION 20 Alpha Rd Chelmsford, MA 01824		TITLE	
		SCH, LOW PHASE NOISE REGULATOR	
PROJECT	HMC4163	DC-ONLY	
DRAWING #:	118877	SHEET	1 OF 1
DRAWN BY	G. HARRINGTON	DATE	12/11/07
		CODE ID NO.	1CN88
		SIZE	C
		REV	4