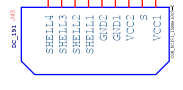


充电放电板

- CHG_INT_L_GPIO2_D6
- >I2C0_SCL_PMIC
- I2C0_SDA_PMIC
- I2C0_SDA_PMIC
- BQ_OTG_EN_H_GPIO3_A7
- FINGER_POWER_EN_GPIO3_A7
- FINGER_POWER_EN_GPIO3_A7
- FINGER_POWER_EN_GPIO3_A7

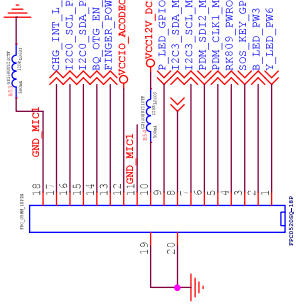


来自于9V 适配器

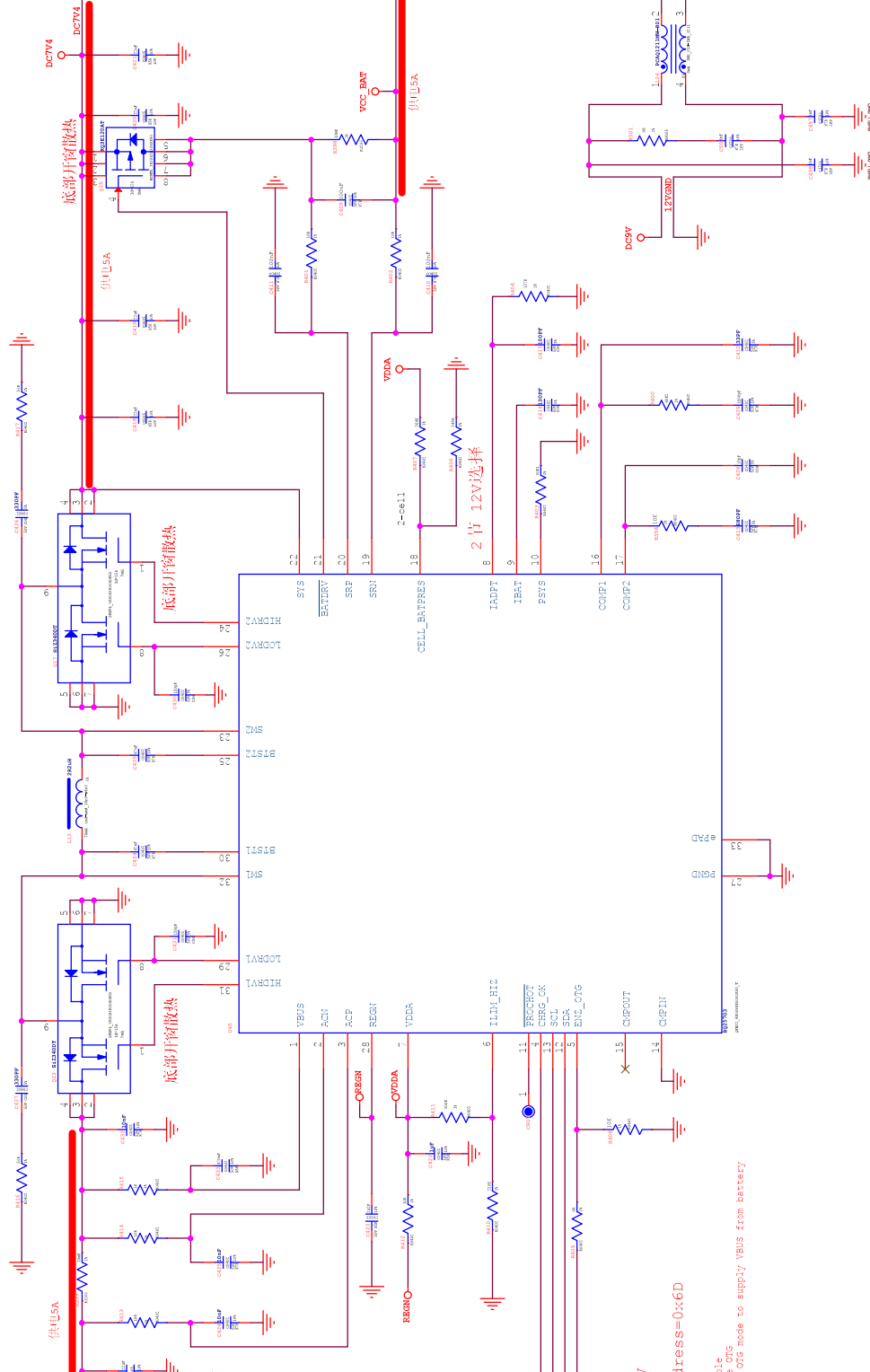
- I2C3_SDA_M0
- I2C3_SCL_M0
- PDM_SD12_M0_ADC
- PDM_CLKI_M0_ADC
- PDM_CLKI_M0_ADC
- 50S_REV_GPIO3_A5
- 5 LED_PWM3
- 7_LED_PWM6

Vih>1.3V
7bit address=0x6D

BQ_OTG:
0x5:Mode Enable
0(csb):Disable OTG
1(1b):Enable OTG mode to supply VBUS from battery

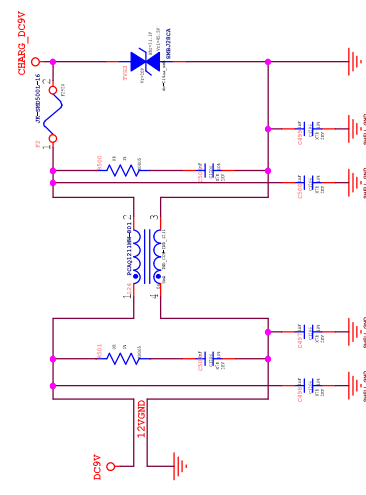


这里连接到主板

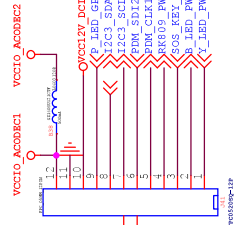


要12V升压电路

2 位 12V选择



这里连接到双芯/核灯/状态灯板



DOC NO.	512
DESIGN:	Date:
CHECK:	Date:
APPROVAL:	Date:
Size:	33
Rev:	2.0
Sheet:	38 of 39
MO02	