

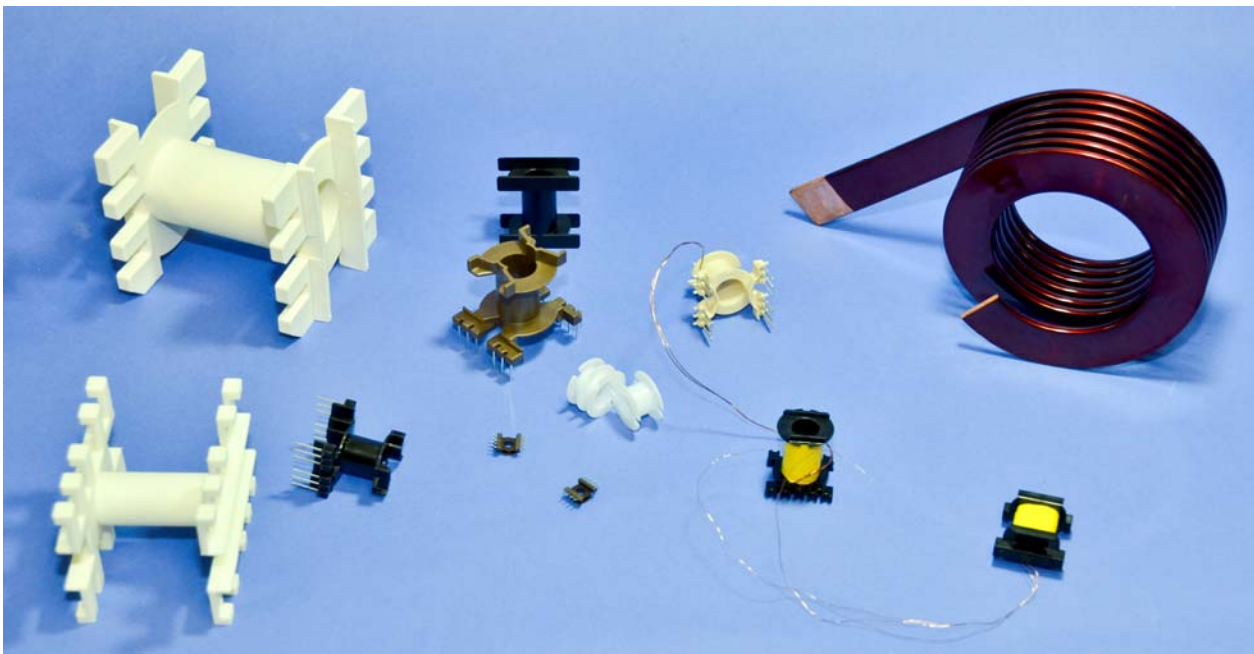
TRI PN: 122360-A
MFR PN: BEPC17-119GADS-P



MH&W International Corp

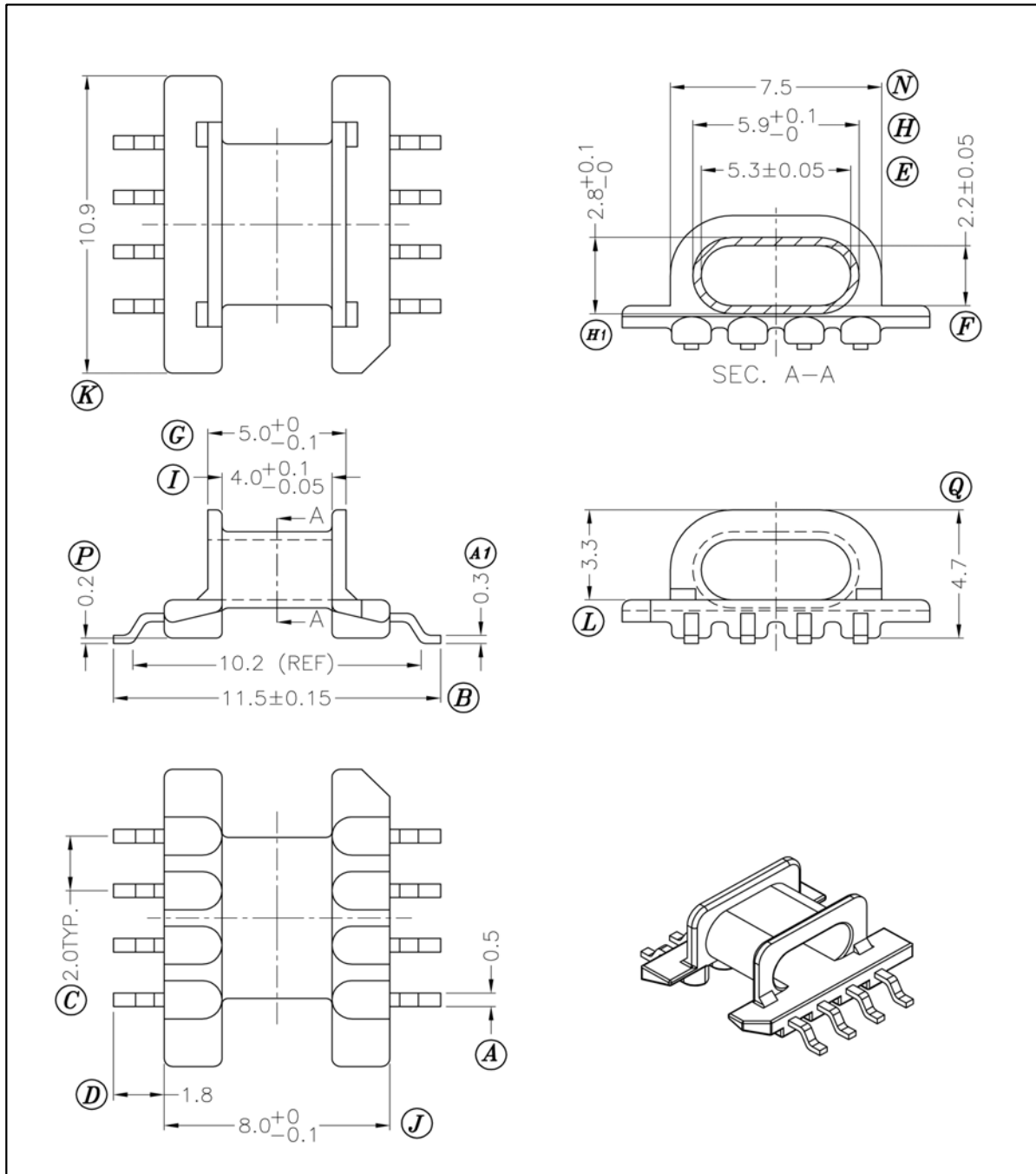
Bobbins For Ferrite EPC Cores

Bobbins Made In China



BEPC10-118GADS-P

Revisions	
1	Added country of origin & RoHS

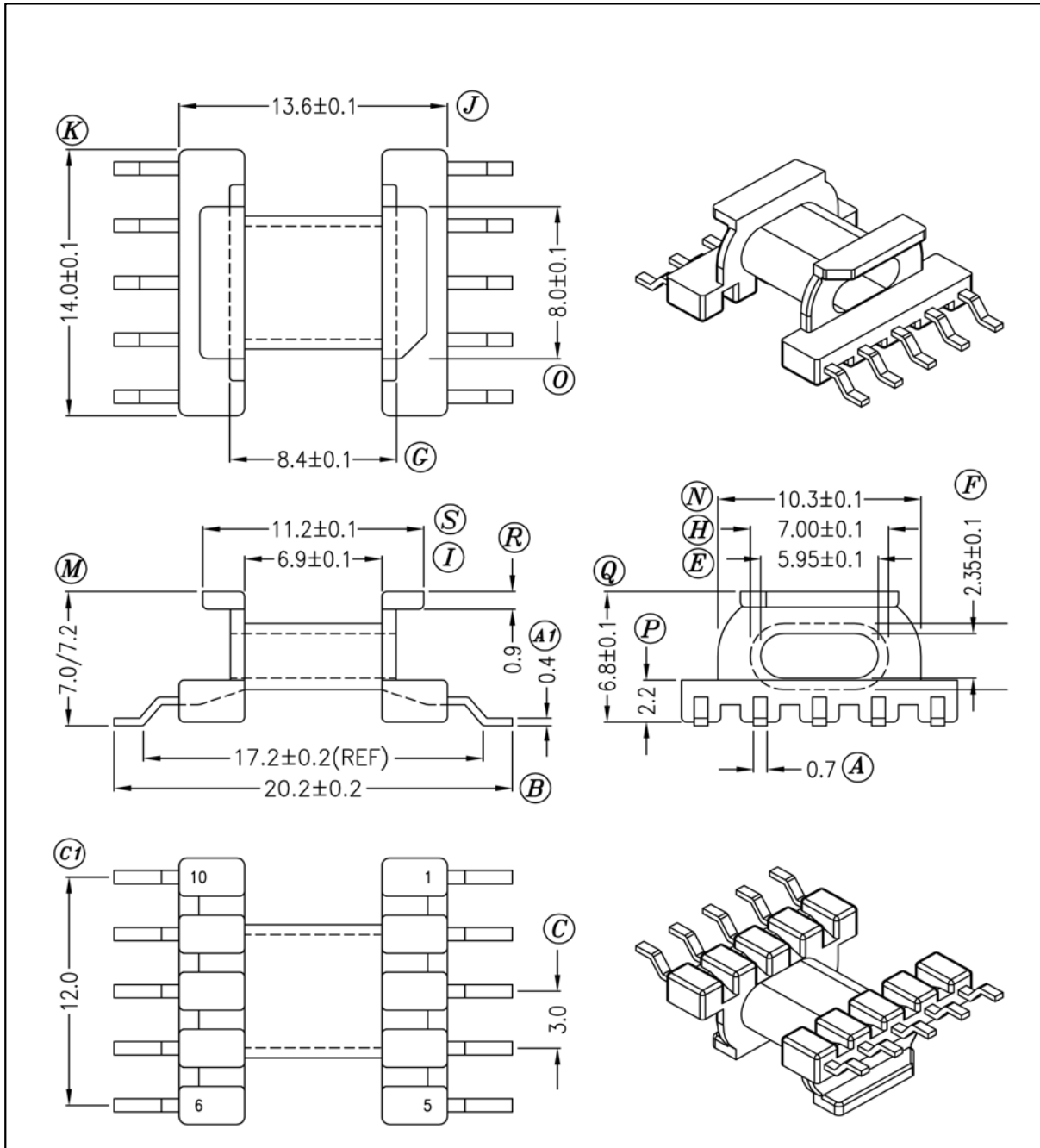


Dimensions in mm

Country of Origin: China	RoHS Certified: YES		
Bobbin Material: Sumitomo PM9630		Drawing Number: BEPC10-118GADS-P-1	
UL File: E41429	UL Rec: 94-V0	S-1003	Pin Material: Phosphor Bronze (DS)
MH&W International Corp		Phone	Pin Tension: 1.5Kgm min
201-891-8800		Email: sales@mhw-intl.com	Finish: e3 (JEDEC)
			Part Number: BEPC10-118GADS-P

BEPC13-1110GADS-P

Revisions	
1	Added country of origin & RoHS

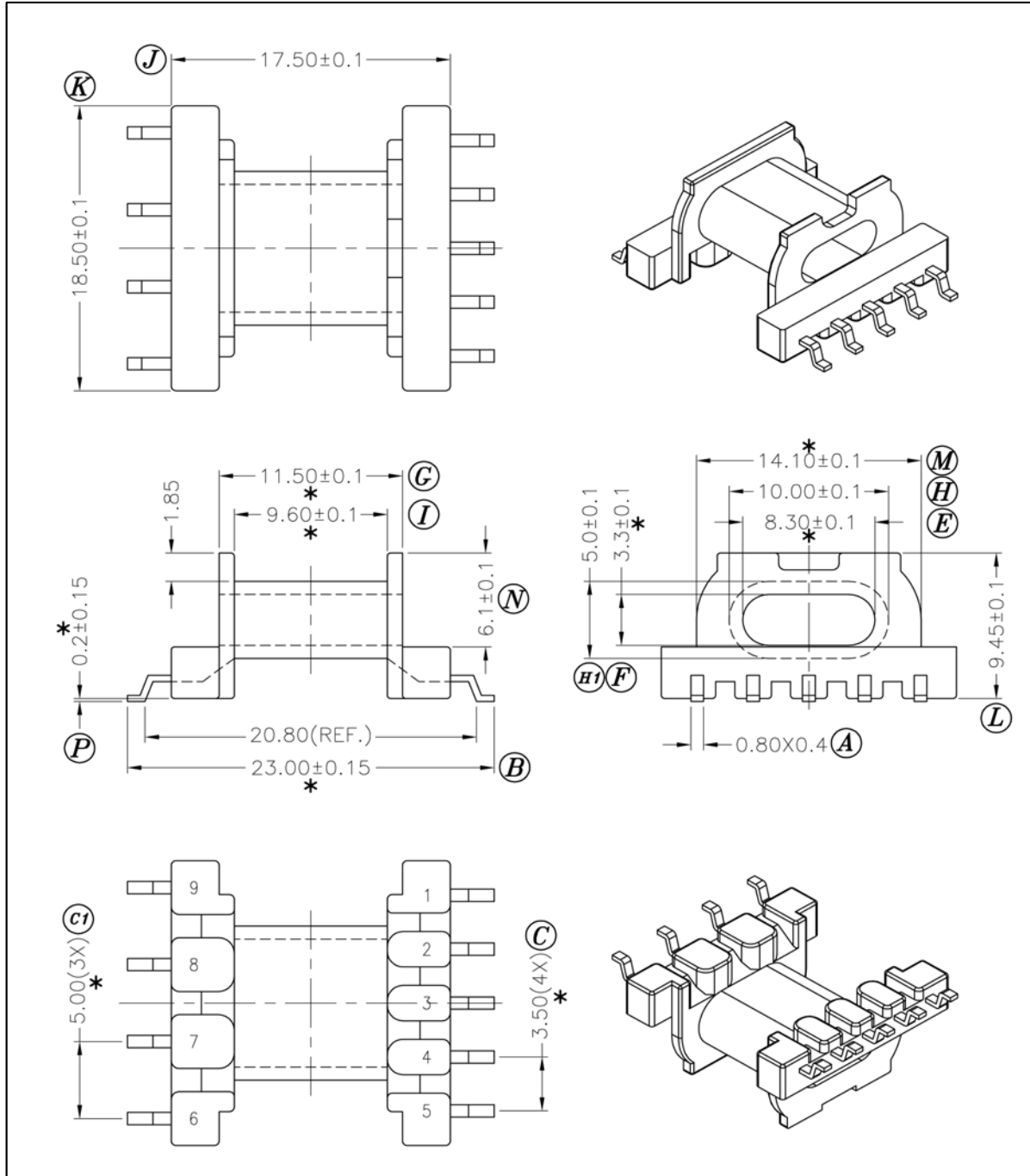


Dimensions in mm

Country of Origin: China	RoHS Certified: YES		
Bobbin Material: Sumitomo PM9630		UL File: E41429	UL Rec: 94-V0
	S-1310	Pin Material: Phosphor Bronze (DS)	
MH&W International Corp		Pin Tension: 1.0Kg min	Finish: e3 (JEDEC)
201-891-8800 Email: sales@mhw-intl.com		Part Number: BEPC13-1110GADS-P	

BEPC17-119GADS-P

Revisions	
1	Added country of origin & RoHS

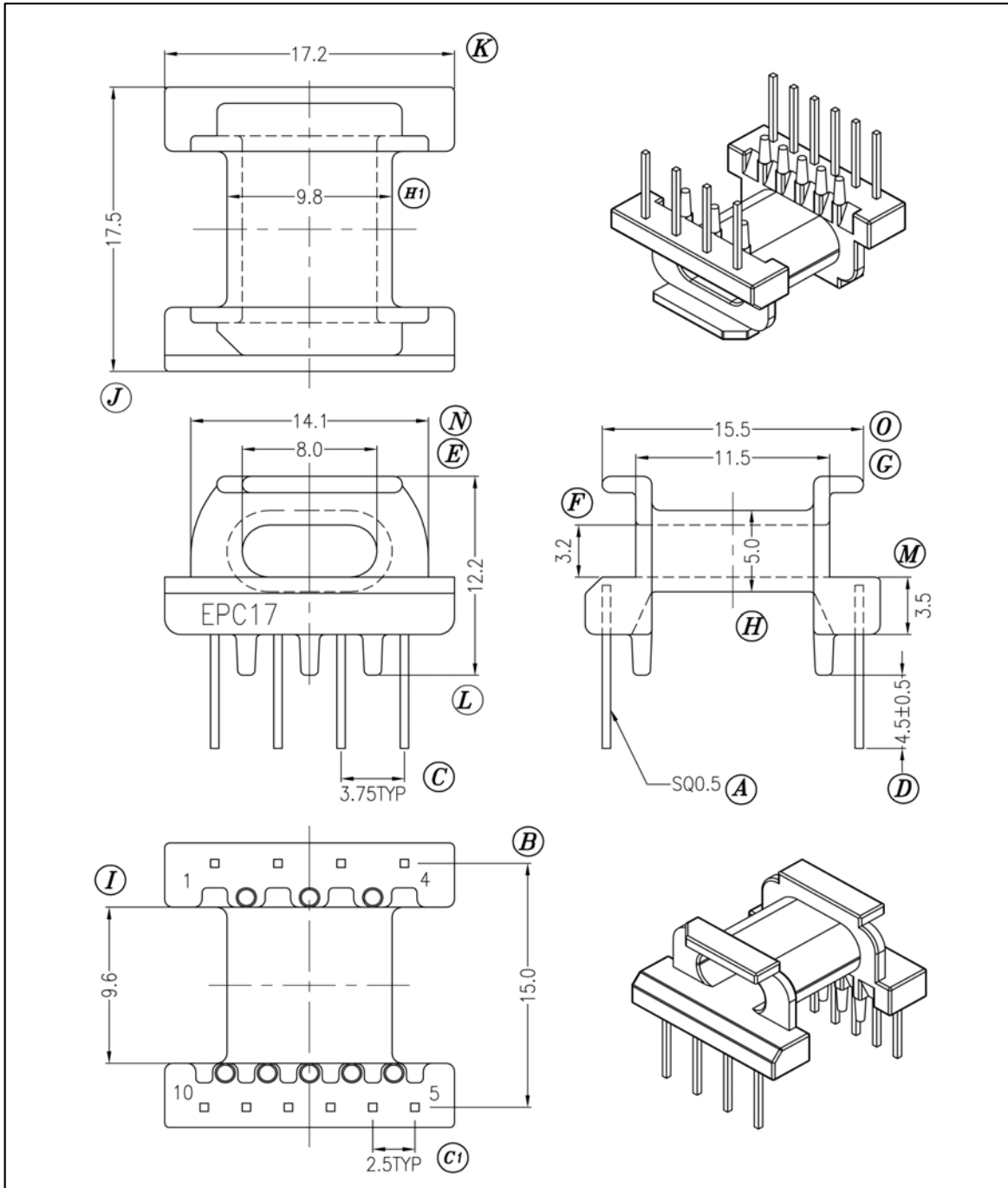


Dimensions in mm

Country of Origin: China	RoHS Certified: YES		
Bobbin Material: Sumitomo PM9630		UL File: E41429	UL Rec: 94-V0
	P=1701	Pin Material: Phosphor Bronze (DS)	
MH&W International Corp		Pin Tension: 1.0Kgm min	Finish: e3 (JEDEC)
201-891-8800 Email: sales@mhw-intl.com		Part Number: BEPC17-119GADS-P	

BEPC17-1110CPH-P

Revisions	
1	Added country of origin & RoHS

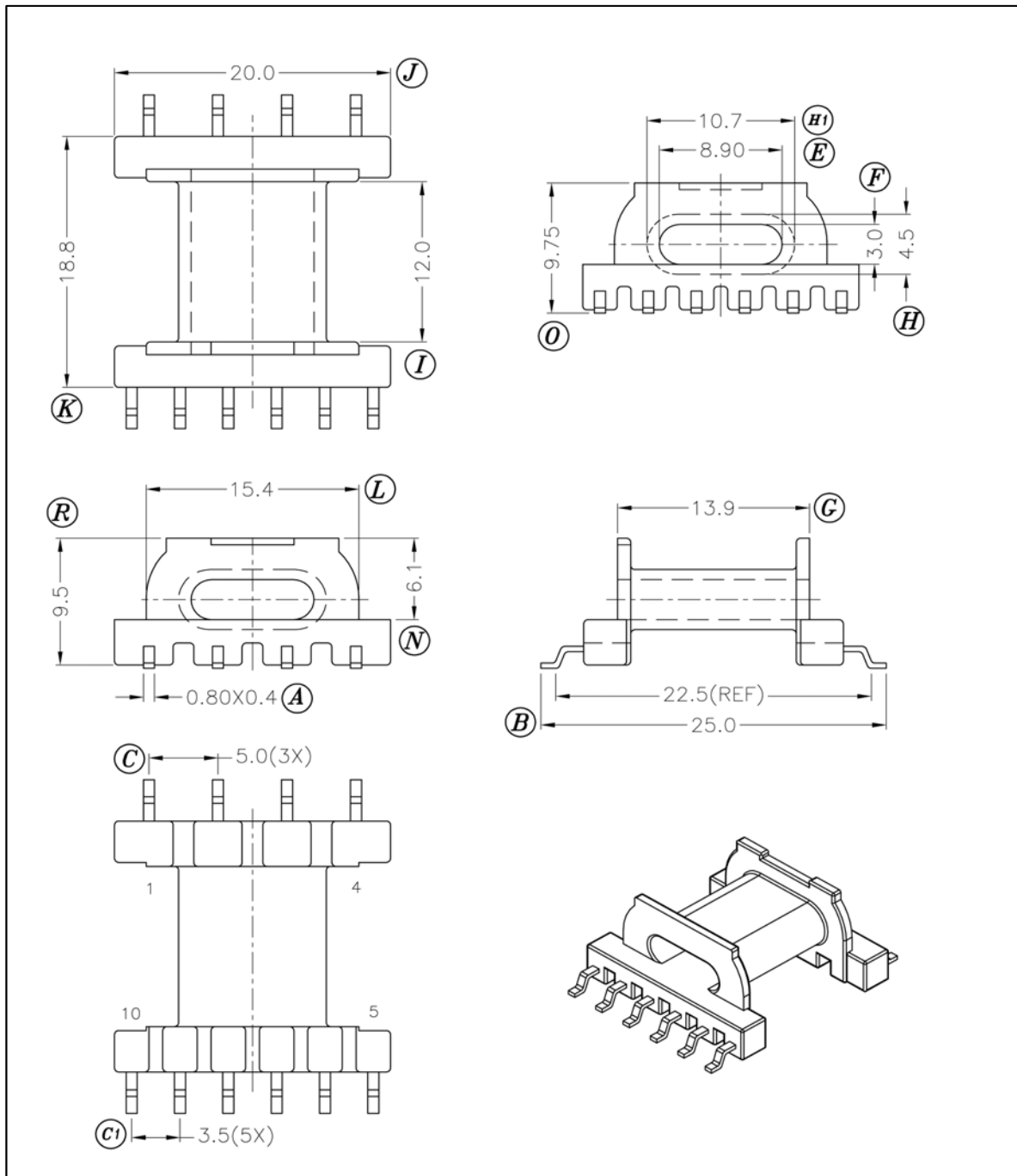


Dimensions in mm

Country of Origin: China	RoHS Certified: YES		
Bobbin Material: Sumitomo PM9820		Drawing Number: BEPC17-1110CPH-P-1	
UL File: E41429	UL Rec: 94-V0	P-1705	Pin Material: Steel Wire (CP)
MH&W International Corp 201-891-8800 Email: sales@mhw-intl.com		Phone	Pin Tension: 1.0Kgm min
			Finish: e3 (JEDEC)
		Part Number: BEPC17-1110CPH-P	

BEPC19-1110GADS-P

Revisions	
1	Added country of origin & RoHS

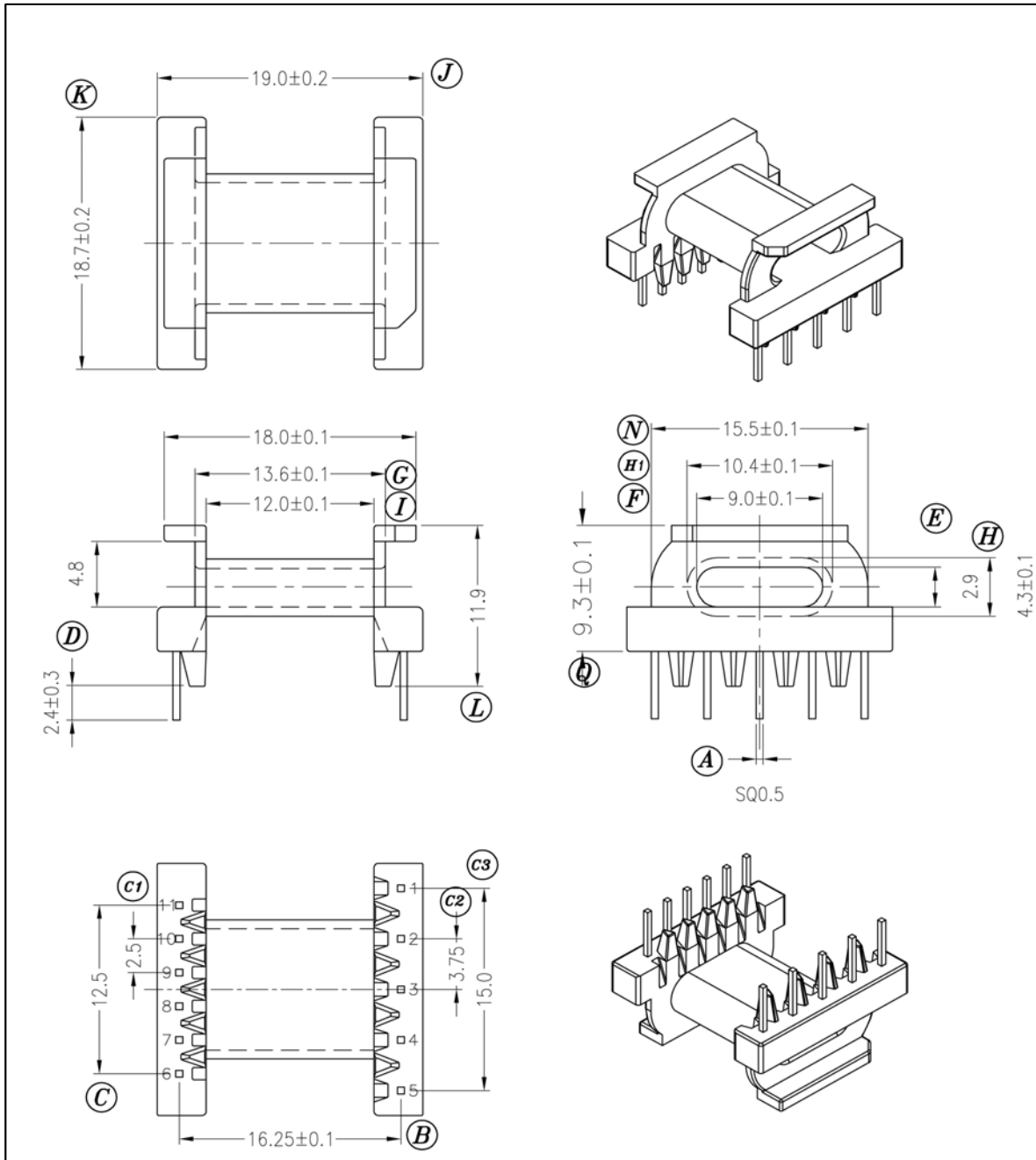


Dimensions in mm

Country of Origin: China	RoHS Certified: YES		
Bobbin Material: Sumitomo PM9820		Drawing Number: BEPC19-1110GADS-P-1	
UL File: E41429	UL Rec: 94-V0	S-1901	Pin Material: Phosphor Bronze (DS)
MH&W International Corp 201-891-8800 Email: sales@mhw-intl.com		Phone	Pin Tension: 1.0Kgm min
			Finish: e3 (JEDEC)
		Part Number: BEPC19-1110GADS-P	

BEPC19-1111CPH-P

Revisions	
1	Added country of origin & RoHS

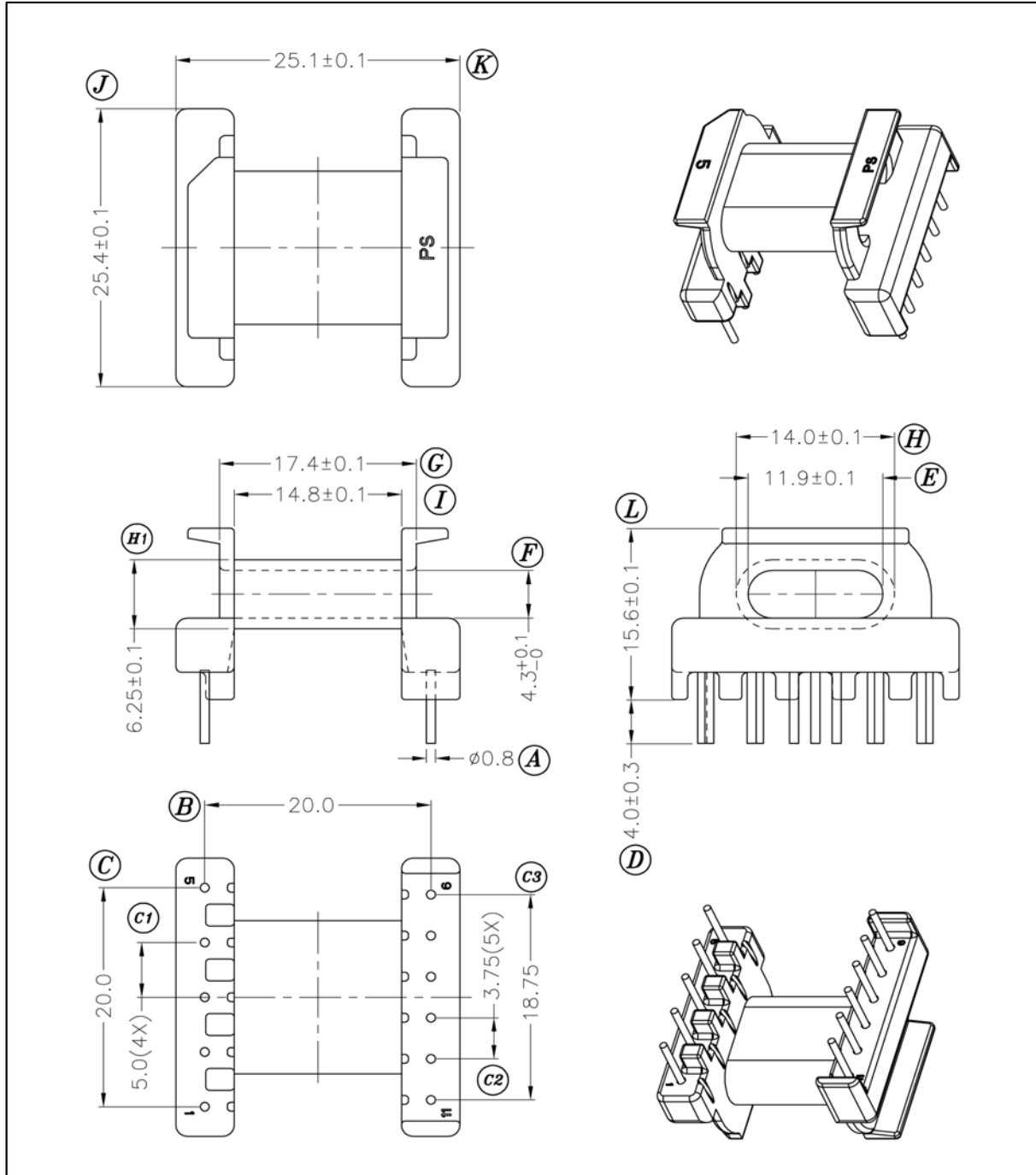


Dimensions in mm

Country of Origin: China	RoHS Certified: YES		
Bobbin Material: Sumitomo PM9630		Drawing Number: BEPC19-1111CPH-P-1	
UL File: E41429	UL Rec: 94-V0	P-1917-1	Pin Material: Steel Wire (CP)
MH&W International Corp		Phone	Pin Tension: 0.9Kgm min
201-891-8800		Email: sales@mhw-intl.com	Finish: e3 (JEDEC)
			Part Number: BEPC19-1111CPH-P

BEPC25-1111CPH-P

Revisions	
1	Added country of origin & RoHS

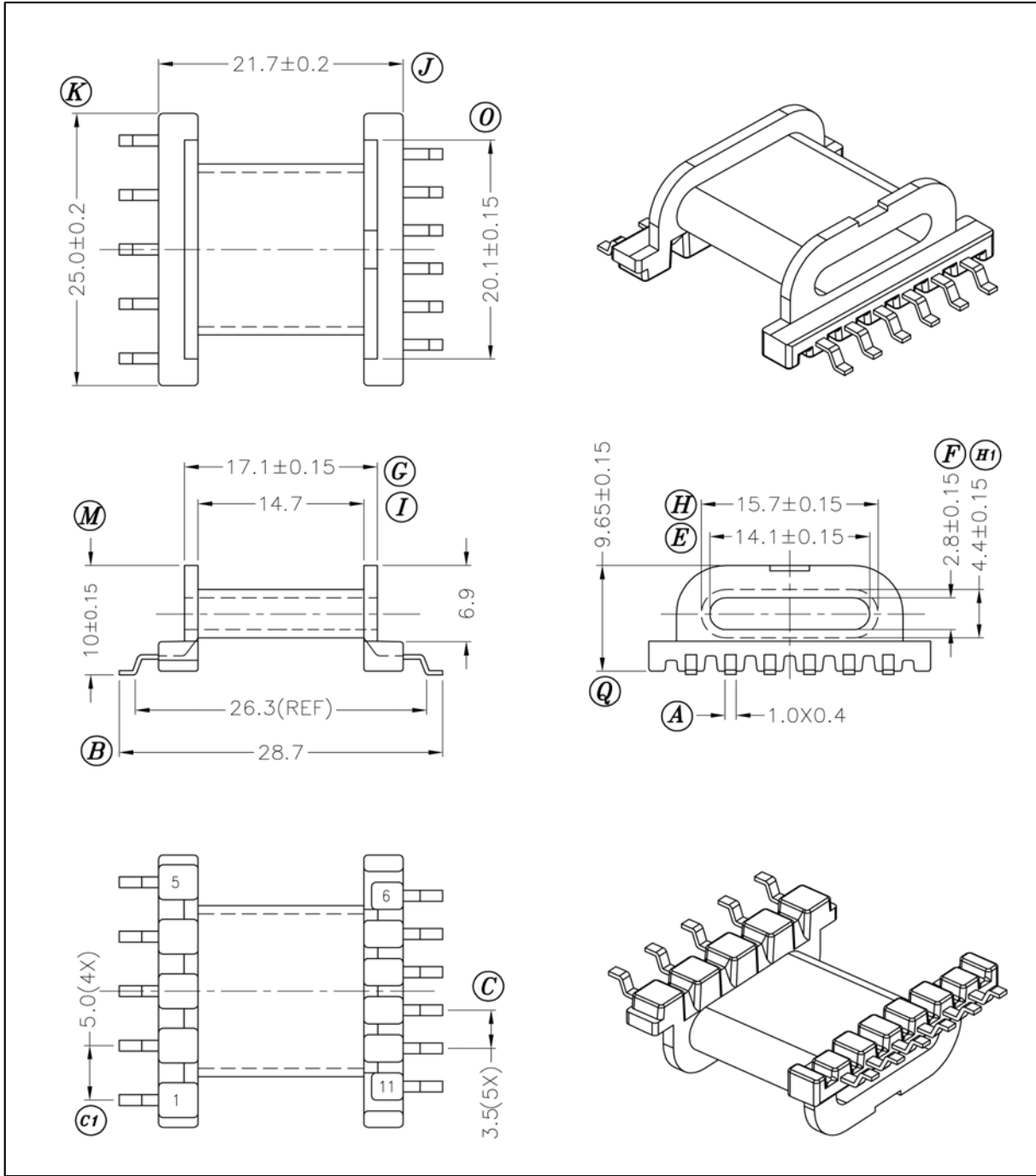


Dimensions in mm

Country of Origin: China	RoHS Certified: YES		
Bobbin Material: CHANG CHUN PLASTICS T375J		Drawing Number: BEPC25-1111CPH-P-1	
UL File: E41429	UL Rec: 94-V0	P-2523-1	Pin Material: Steel Wire (CP)
MH&W International Corp 201-891-8800 Email: sales@mhw-intl.com		Phone	Pin Tension: 1.0Kgm min
			Finish: e3 (JEDEC)
		Part Number: BEPC25-1111CPH-P	

BEPC25B-1111GADS-P

Revisions	
1	Added country of origin & RoHS



Dimensions in mm

Country of Origin: China	RoHS Certified: YES		
Bobbin Material: Sumitomo PM9630		UL File: E41429	UL Rec: 94-V0
	S-2502	Pin Material: Phosphor Bronze (DS)	
MH&W International Corp	Phone	Pin Tension: 1.5Kgm min	Finish: e3 (JEDEC)
201-891-8800	Email: sales@mhw-intl.com	Part Number: BEPC25B-1111GADS-P	