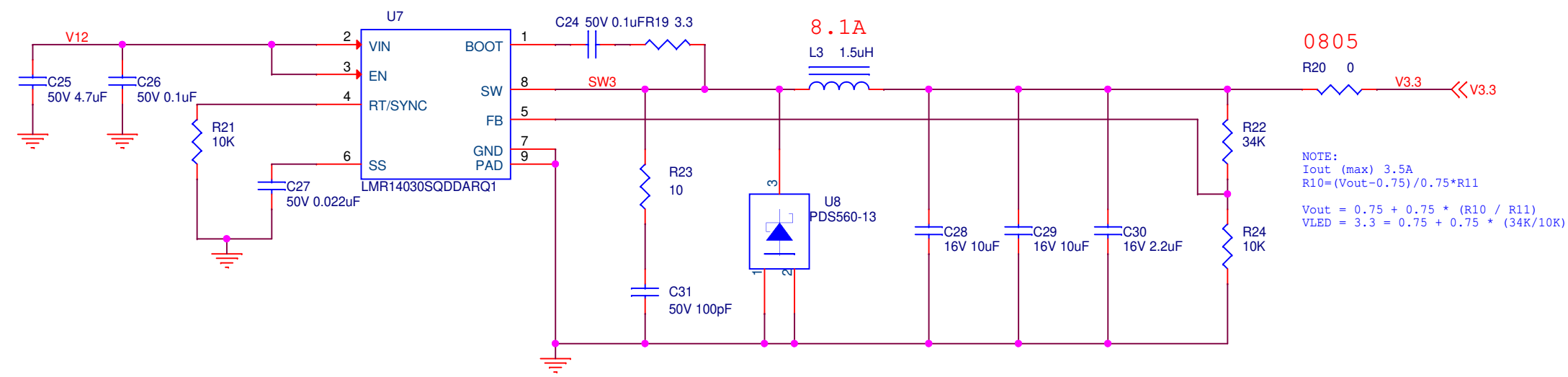
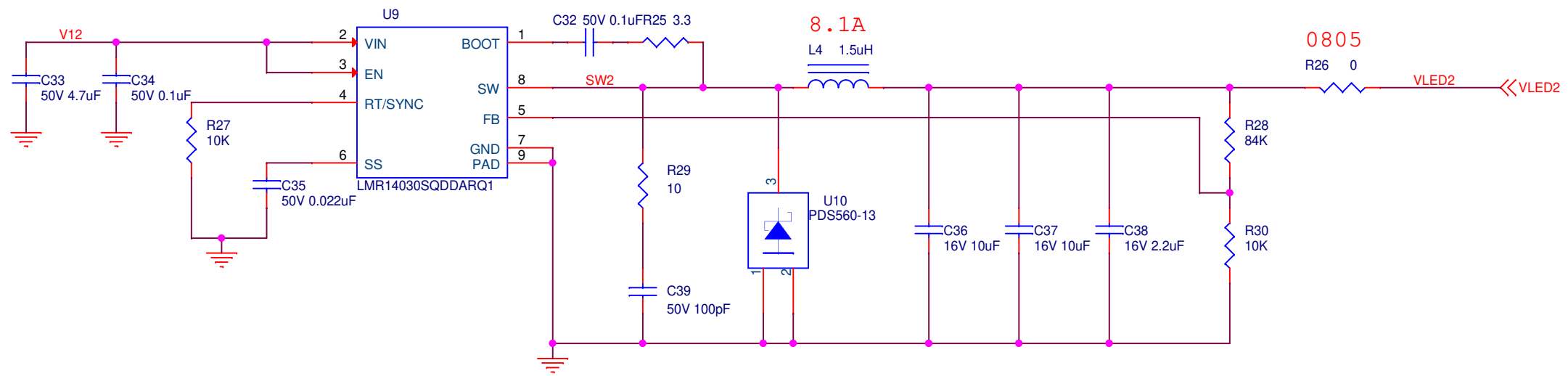


NOTE:
 $I_{out} \text{ (max) } 3.5A$
 $R10 = (V_{out} - 0.75) / 0.75 * R11$
 $V_{out} = 0.75 + 0.75 * (R10 / R11)$
 $V_{LED} = 7.05 = 0.75 + 0.75 * (84K/10K)$



NOTE:
 $I_{out} \text{ (max) } 3.5A$
 $R10 = (V_{out} - 0.75) / 0.75 * R11$
 $V_{out} = 0.75 + 0.75 * (R10 / R11)$
 $V_{LED} = 3.3 = 0.75 + 0.75 * (34K/10K)$

Title <Title>		
Size B	Document Number <Doc>	Rev <RevCode>
Date:	Wednesday, November 07, 2018	Sheet 3 of 4