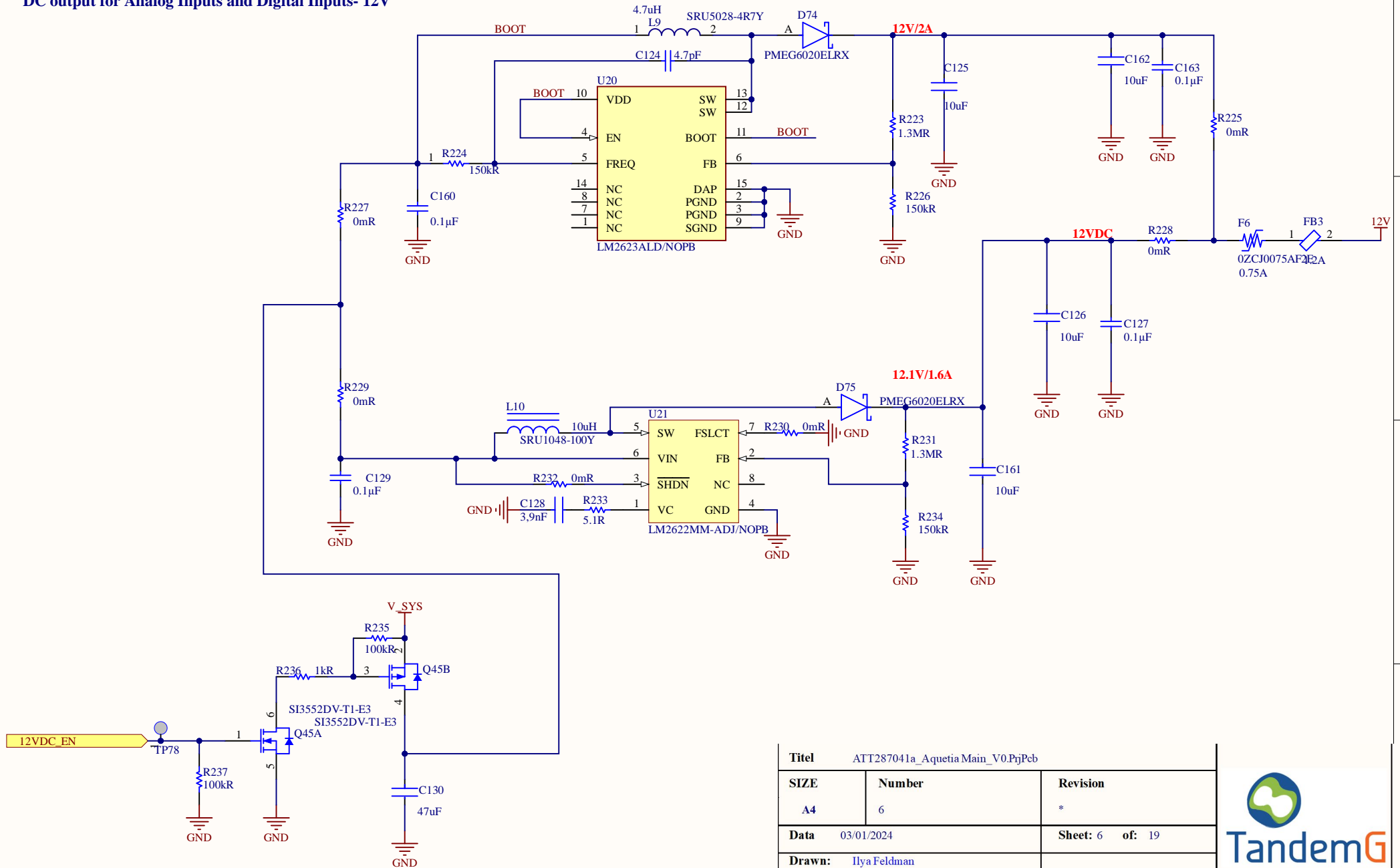


DC output for Analog Inputs and Digital Inputs- 12V



Titel			ATT287041a_Aquetia Main_V0.PjPeb		
SIZE	Number	Revision			
A4	6	*			
Data	03/01/2024	Sheet: 6		of: 19	
Drawn:	Ilya Feldman				

