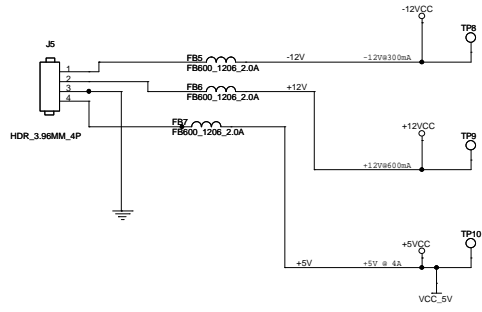
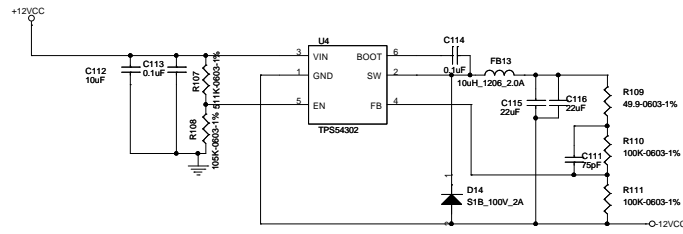


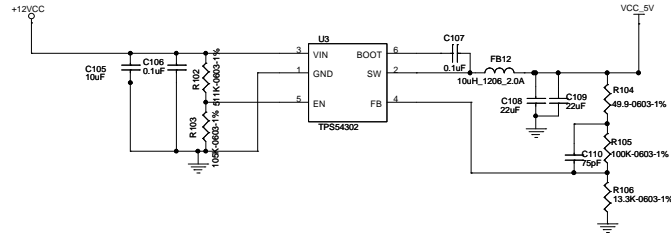
TRIPPLE PS FOR TESTING ONLY



12VDC to -12VDC

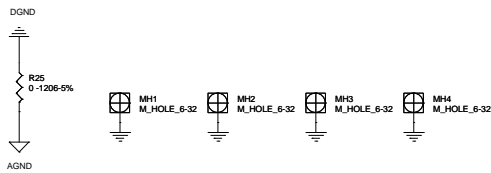
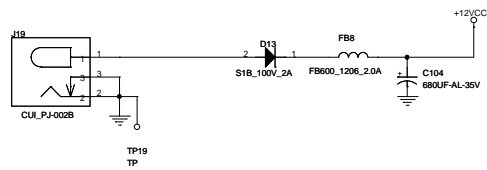


12VDC to 5VDC

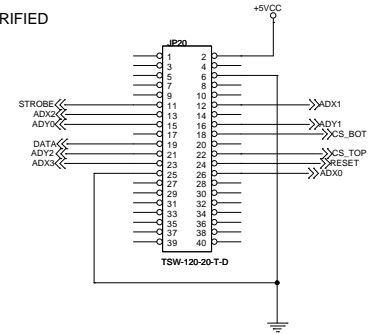


12VDC to 12VDC

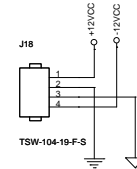
DC 12V 2A INPUT



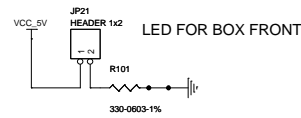
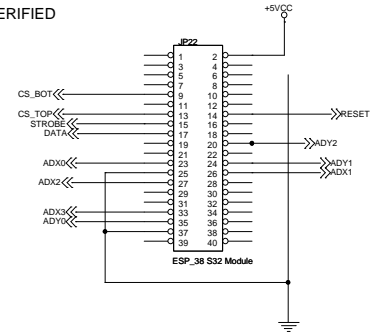
RAS PI 40 PIN HEADER
TO BE VERIFIED



4 pin power and GND to upper board



ESP 32S 40 PIN HEADER
TO BE VERIFIED



File			<Title>
Size	Document Number	Rev	
C	<Doc>	AD	
Date:	Thursday, February 06, 2020	Sheet	1 of 1