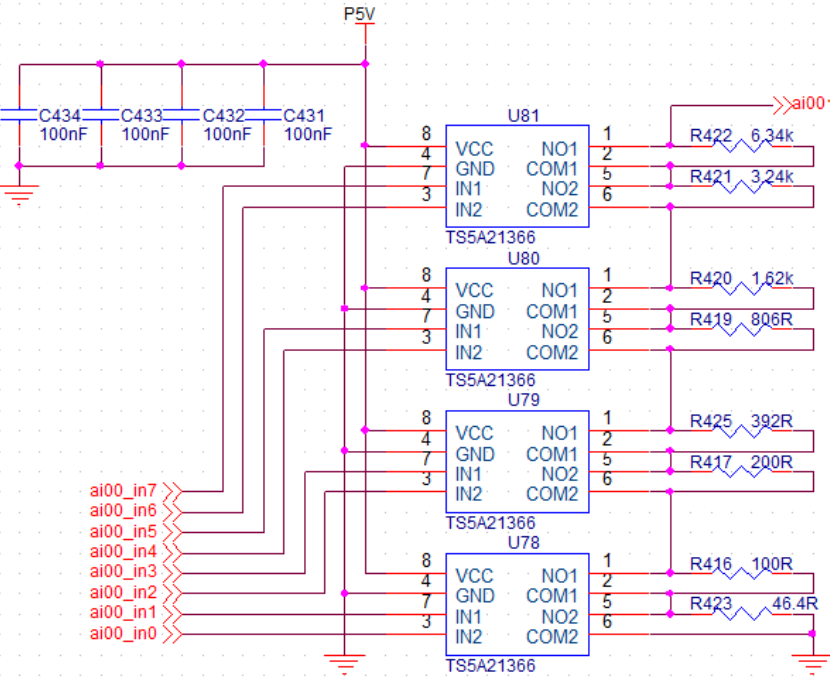


When abnormal condition happens, it may short to 13.5V at connector pin



5V

Module 1, analog input sensor

Module 2, controller