

4/25/2022

Variant:

Page	Index	Page	Index	Page	Index	Page	Index
1	COVER PAGE	11	21	31
2	BLOCK DIAGRAM	12	22	32
3	13	23	33
4	14	24	34
5	15	25	35
6	16	26	36
7	17	27	37
8	18	28	38
9	19	29	39
10	20	30	40


DESIGN CONSIDERATIONS

DESIGN NOTE:
Example text for informational
design notes.

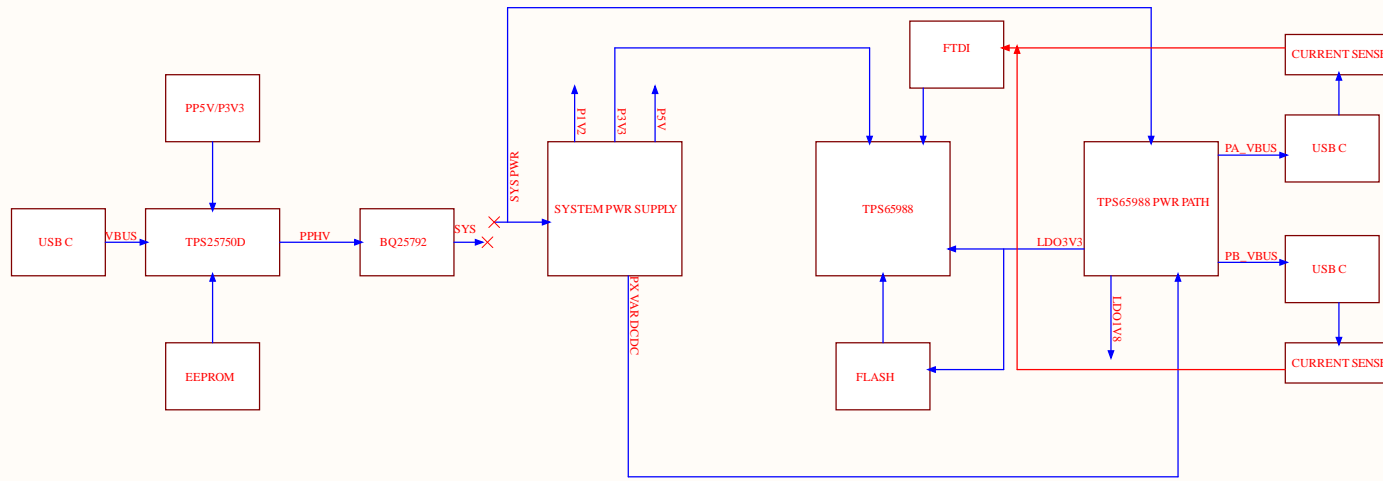
DESIGN NOTE:
Example text for critical
design notes.


DESIGN NOTE:
Example text for cautionary
design notes.

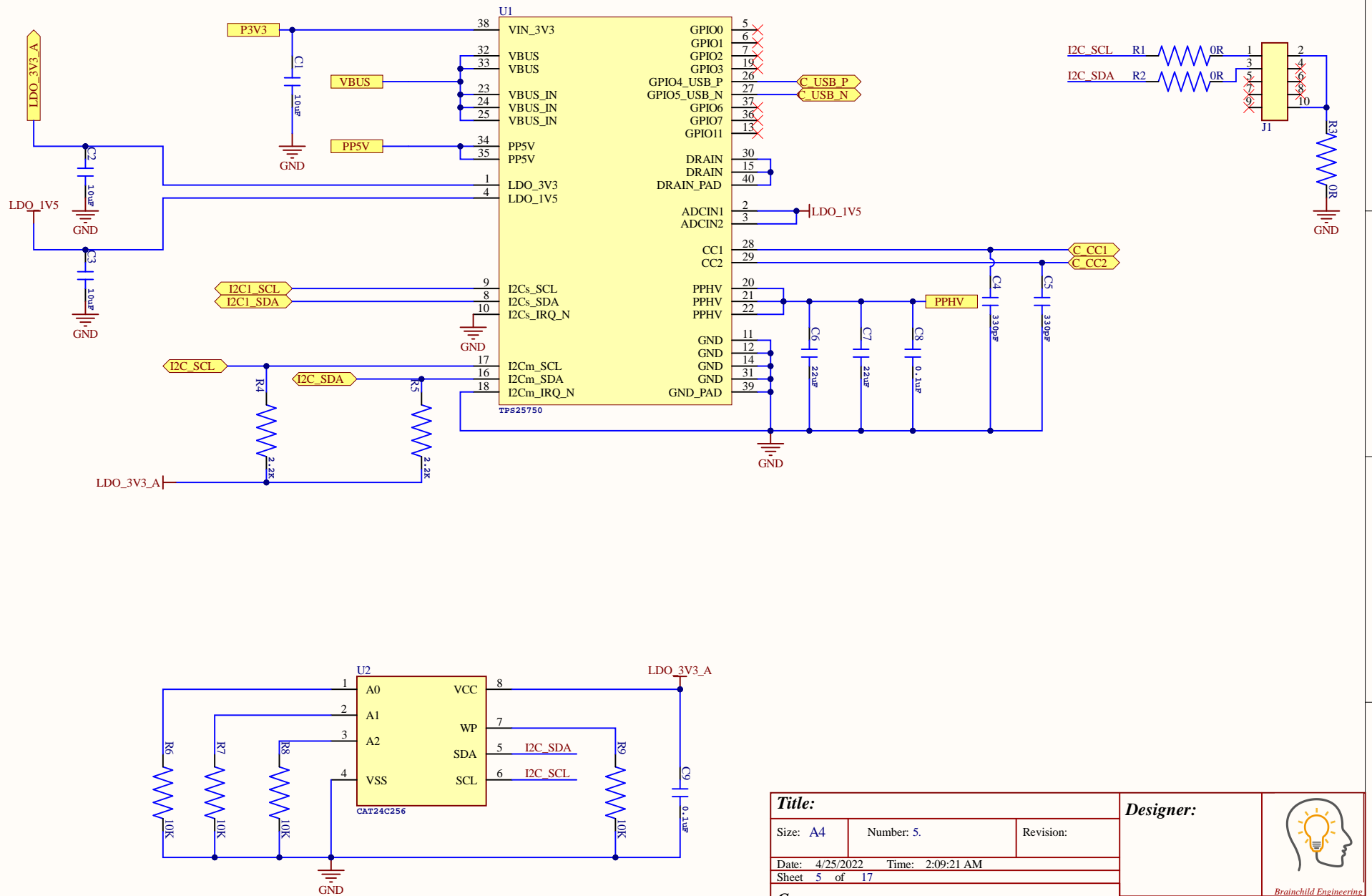
LAYOUT NOTE:
Example text for critical
layout guidelines.


Title:		Designer:		
Size: A3	Number: 2	Revision:		
Date: 4/25/2022	Time: 2:09:20 AM			
Sheet 2 of 17				
Company:				
Address:				

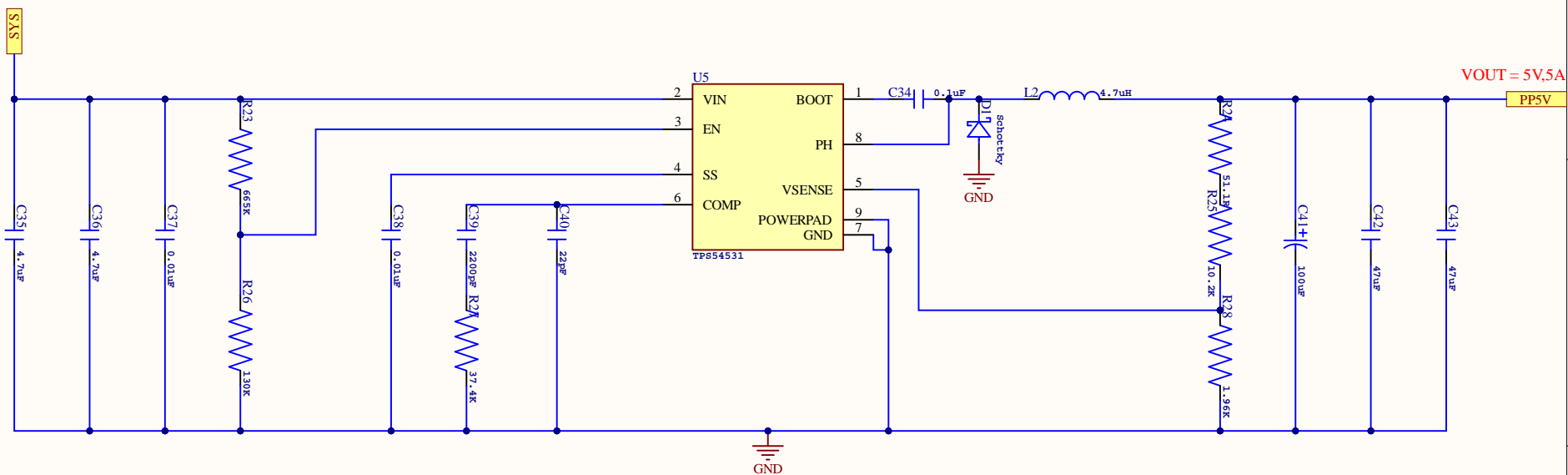
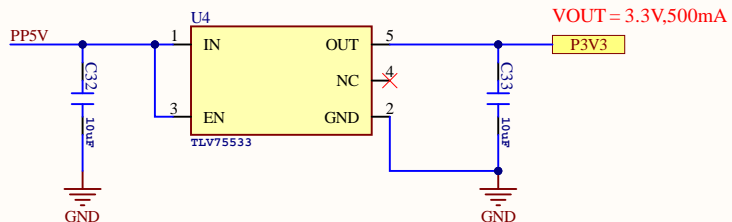
BLOCK DIAGRAM




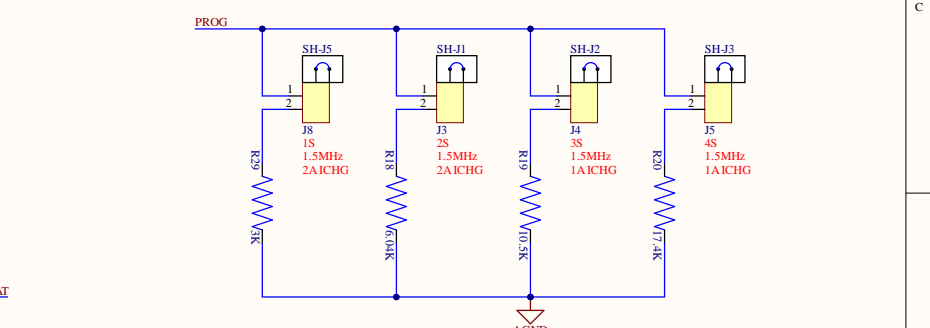
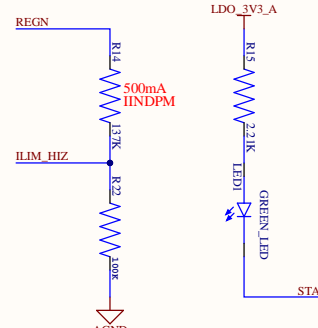
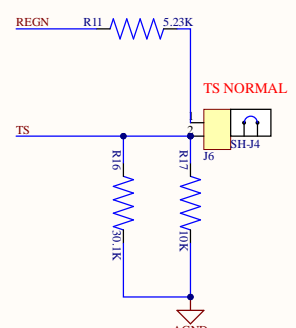
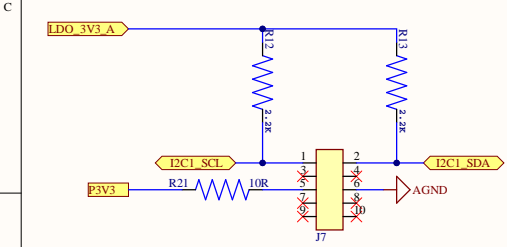
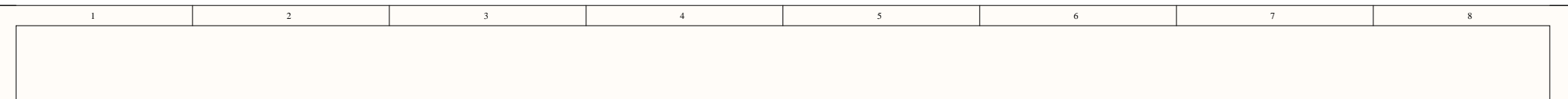
Title:		Designer:		 Brainchild Engineering
Size: A3	Number: 3.	Revision:		
Date: 4/25/2022	Time: 2:09:20 AM			
Sheet 3 of 17				
Company:				
Address:				

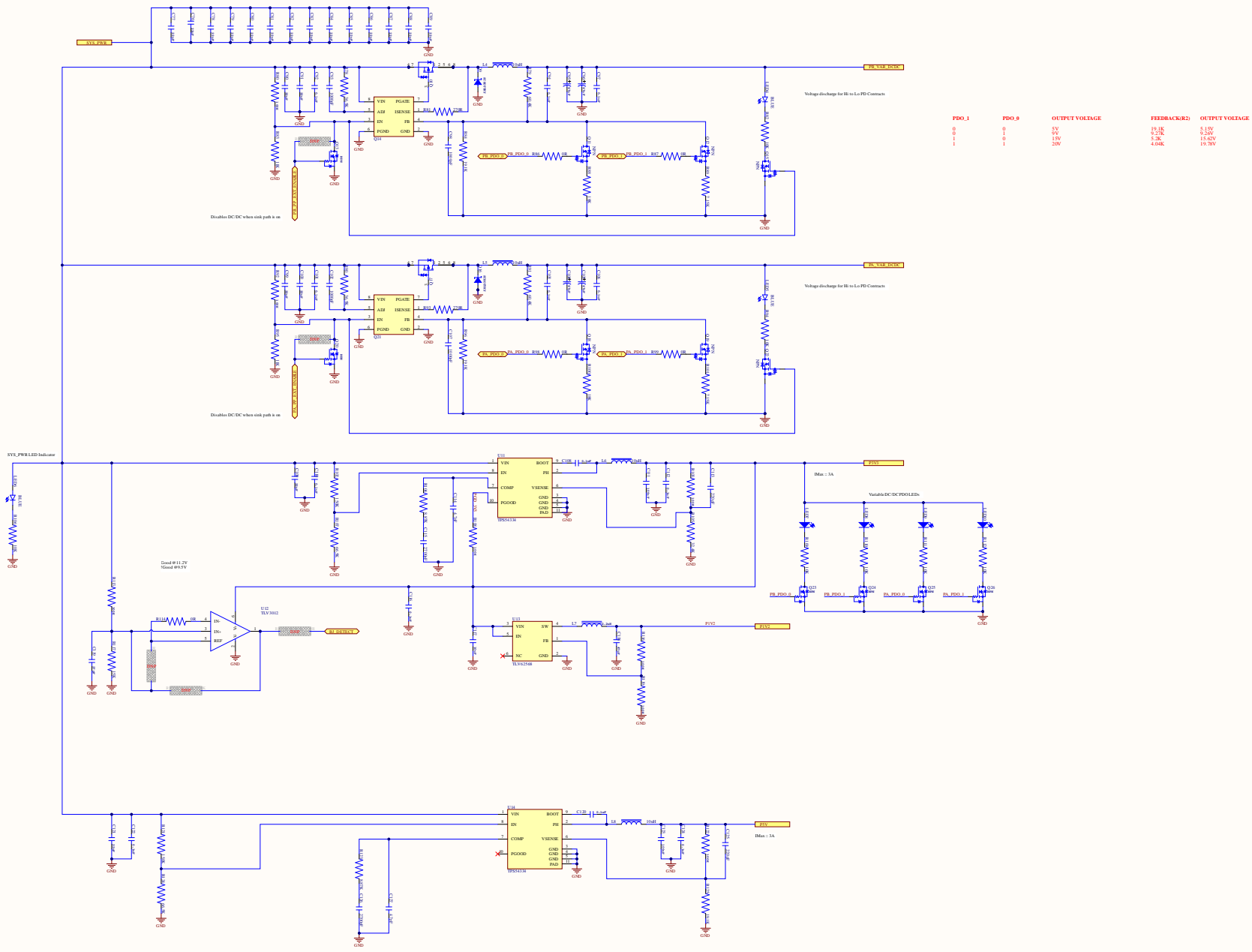


Title:			Designer:	
Size: A4	Number: 5.	Revision:		
Date: 4/25/2022 Time: 2:09:21 AM				
Sheet 5 of 17				
Company:				
Address:				

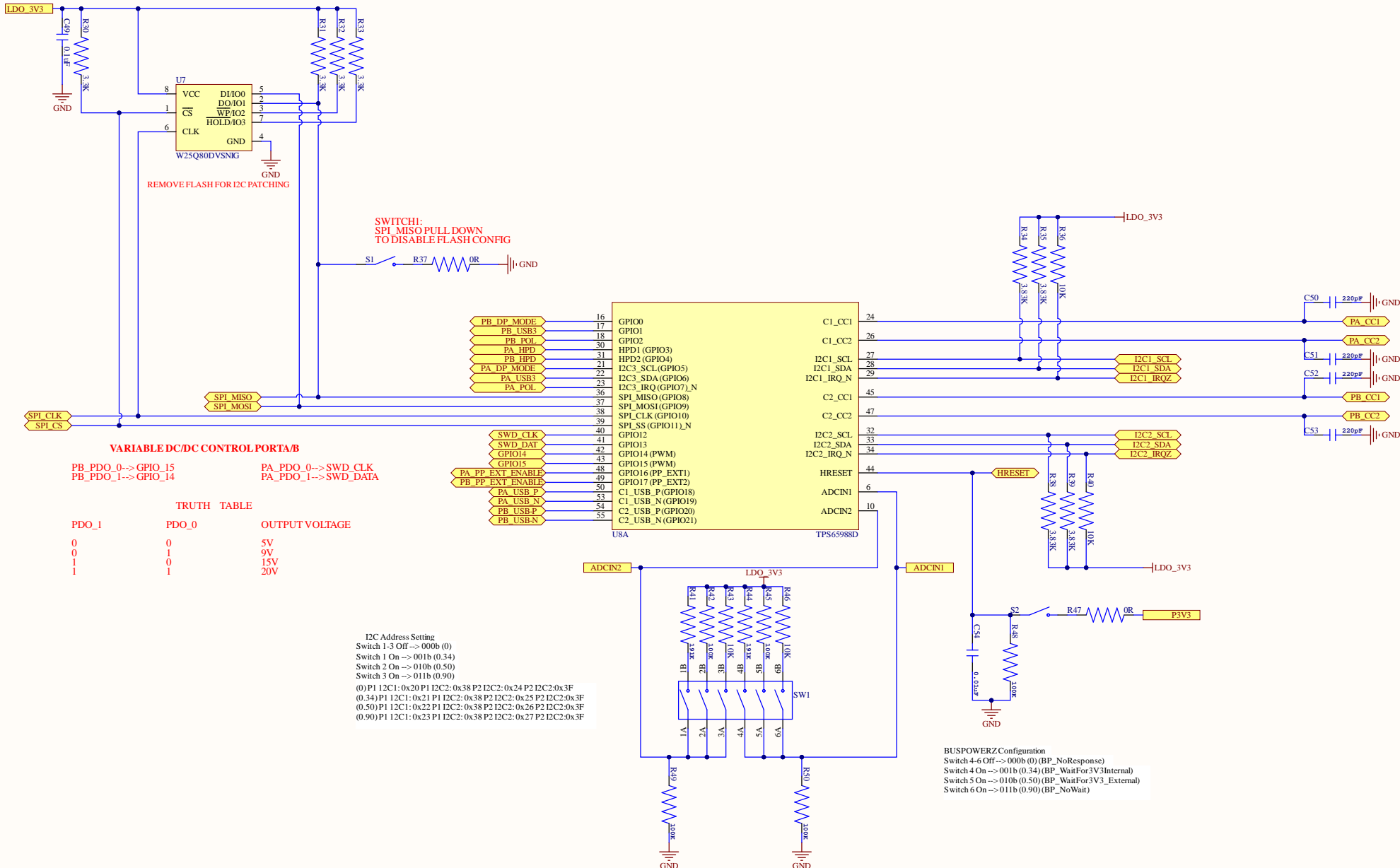



Title:			Designer:	
Size: A4	Number: 6.	Revision:		
Date: 4/25/2022 Time: 2:09:21 AM				
Sheet 6 of 17				
Company:				
Address:				

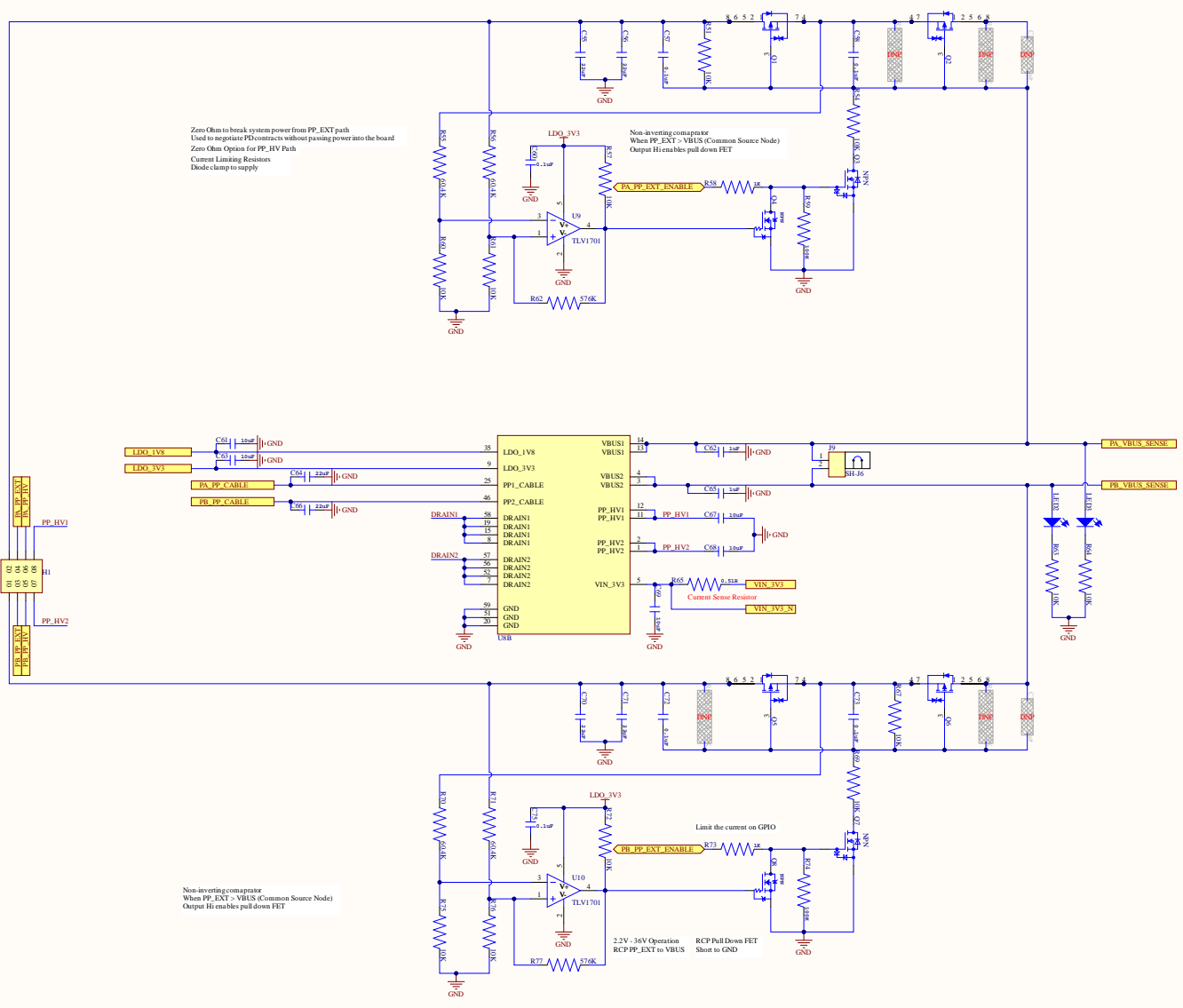




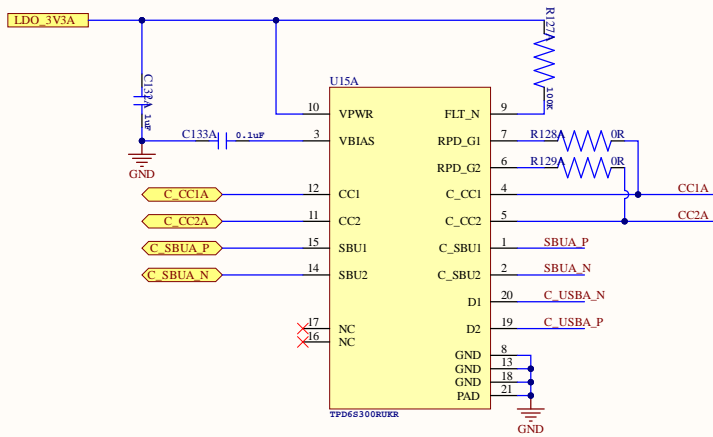
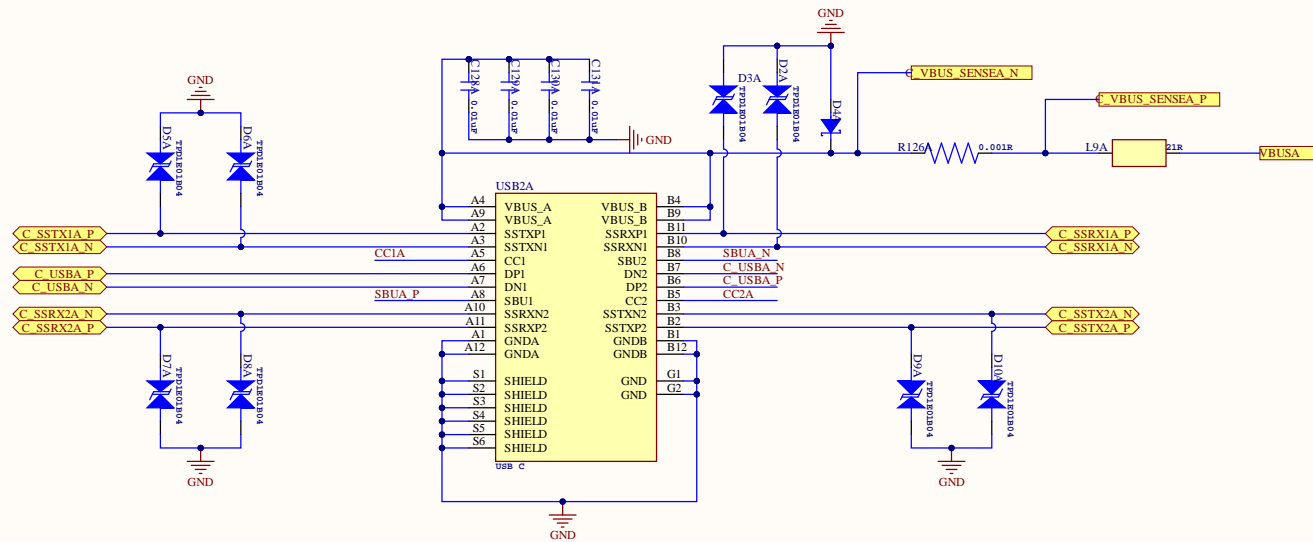
FDO.1	FDO.8	OUTPUT VOLTAGE	FEEDBACK2:	OUTPUT VOLTAGE
0	0	15V	15.1K	15.1V
1	1	18V	4.2K	18.2V
		12V	2.2K	12.0V
		9V	4.0K	9.0V




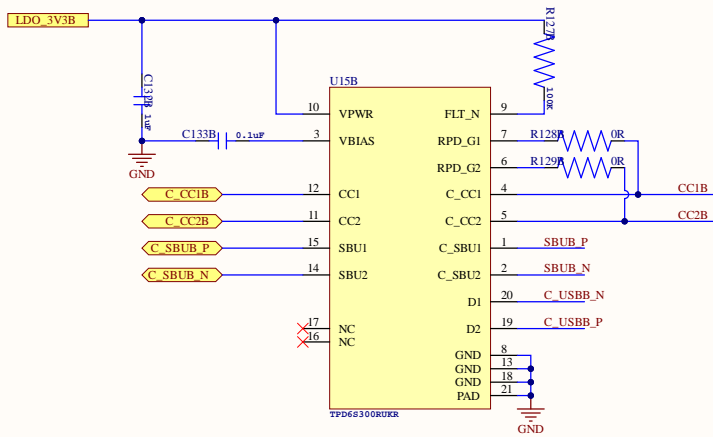
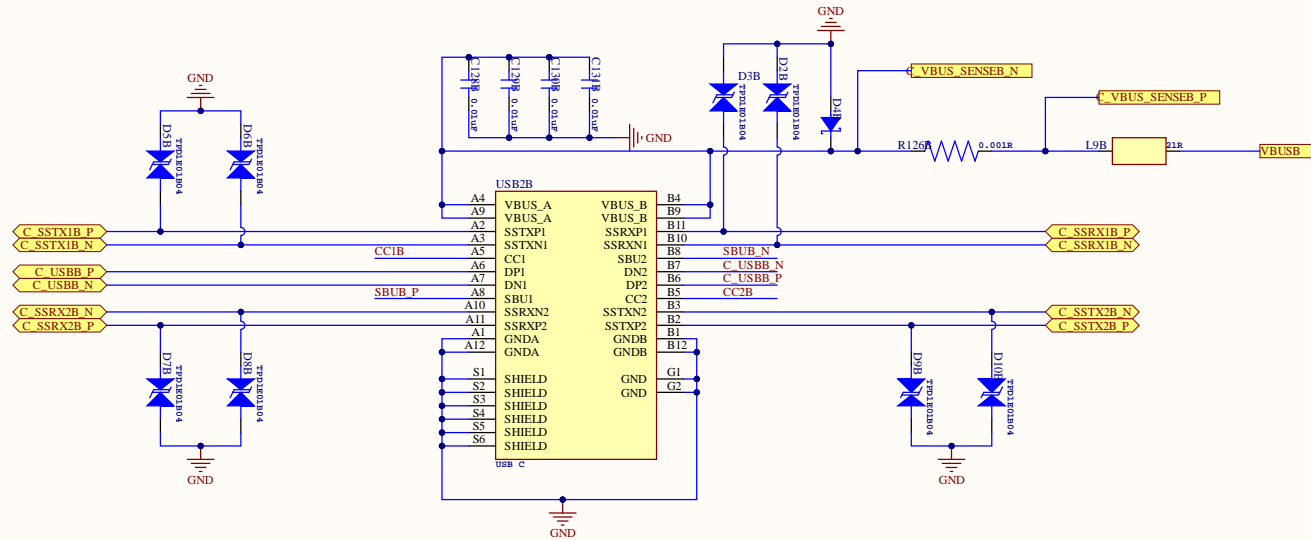
Title:		Designer:	
Size: A3	Number: 9.		
Date: 4/25/2022	Time: 2:09:23 AM		
Sheet 9 of 17			
Company Address:			



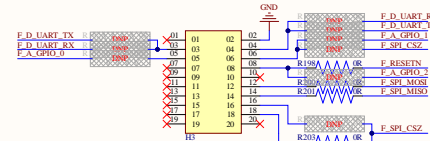
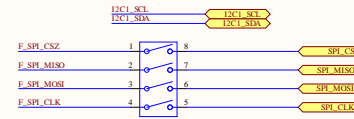
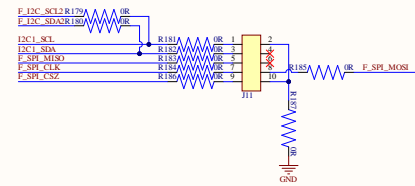
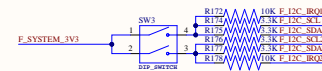
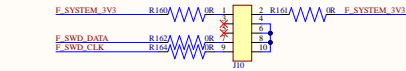
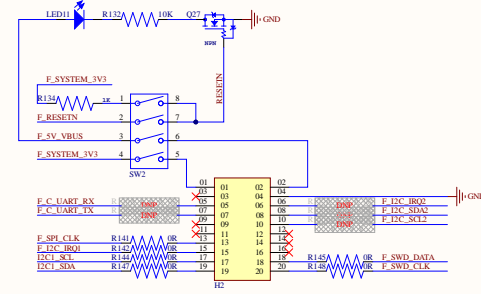
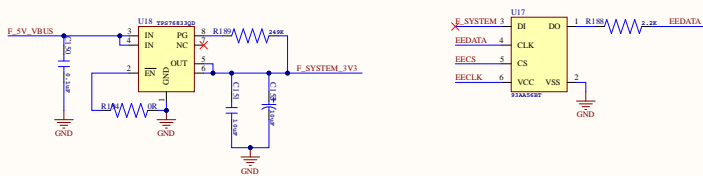
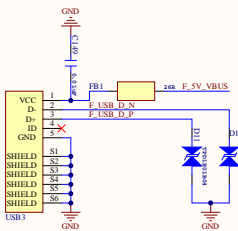
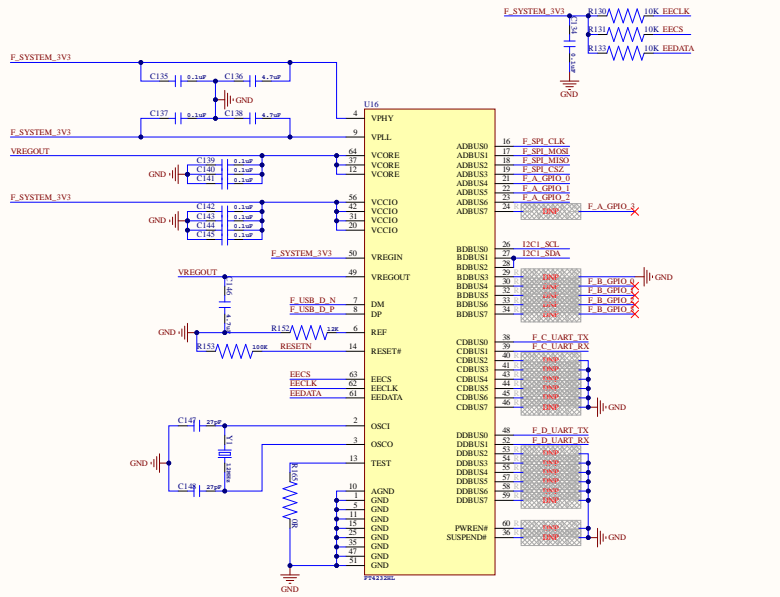
Title:		Designer:	
Size: A2	Number 10.	Revision:	
Date: 4/25/2023	Time: 2:09:23 AM		
Sheet: 10	of: 11		
Company:			
Address:			

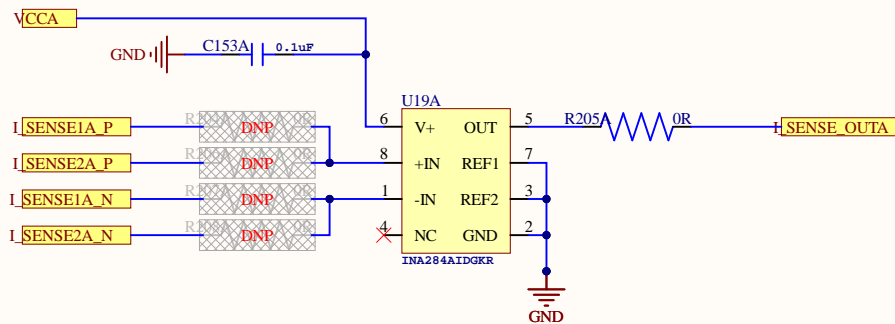



Title:		Designer:		 Brainchild Engineering
Size: A3	Number: 11.1	Revision:		
Date: 4/25/2022	Time: 2:09:24 AM			
Sheet 11.1 of 17				
Company:				
Address:				



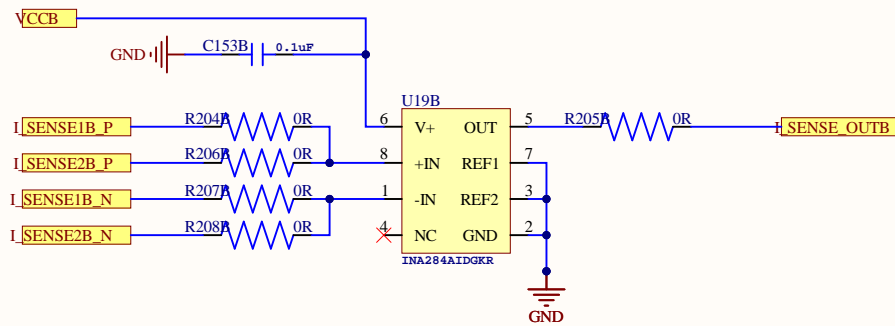
Title:		Designer:		 Brainchild Engineering
Size: A3	Number: 11.2	Revision:		
Date: 4/25/2022	Time: 2:09:24 AM			
Sheet 11.2 of 17				
Company:				
Address:				




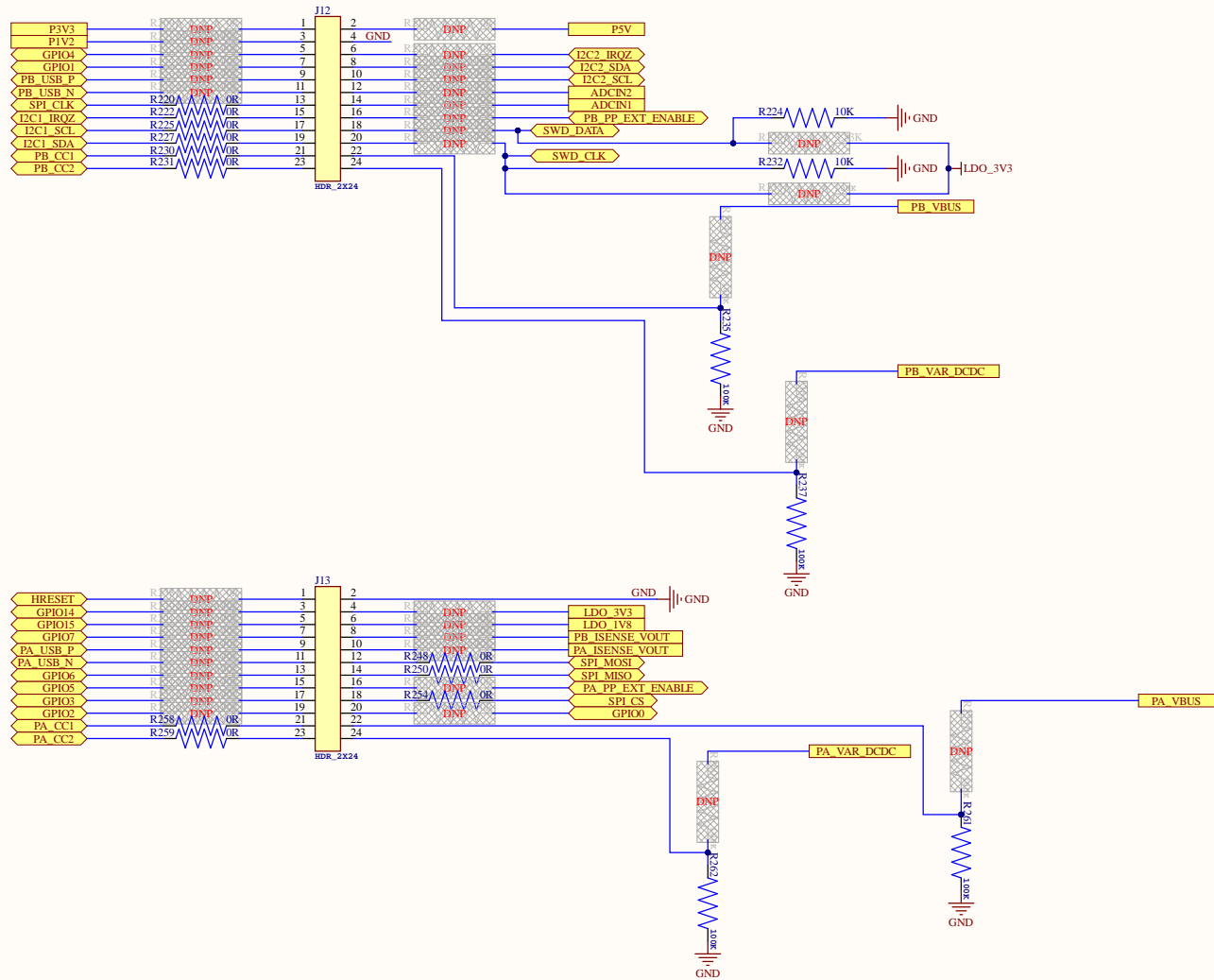


Title:			Designer:	
Size: A4	Number: 13.1	Revision:		
Date: 4/25/2022 Time: 2:09:25 AM				
Sheet 13.1of 17				
Company:				
Address:				

Brainchild Engineering



Title:			Designer:	
Size: A4	Number: 13.2	Revision:		
Date: 4/25/2022	Time: 2:09:26 AM			
Sheet 13.2 of 17				
Company:				Brainchild Engineering
Address:				



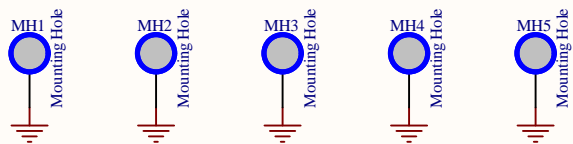
Title:		Designer:	
Size: A3	Number: 14.	Revision:	
Date: 4/25/2022	Time: 2:09:26 AM		
Sheet 14 of 17			
Company:			
Address:			




Brainchild Engineering

BOARD MECHANICS

MOUNTING HOLES



Title:			Designer:	
Size: A4	Number: 15.	Revision:		
Date: 4/25/2022 Time: 2:09:27 AM				
Sheet 15 of 17				
Company:				
Address:				