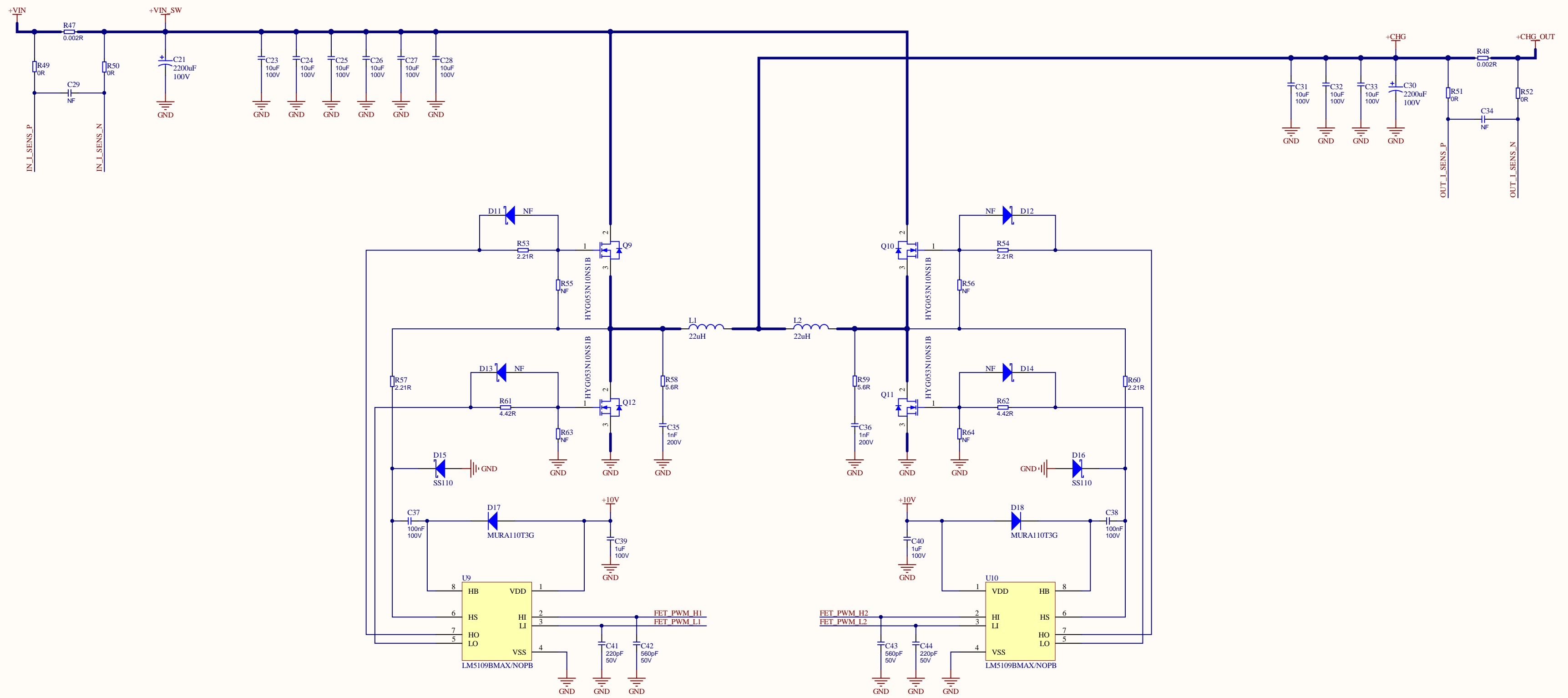
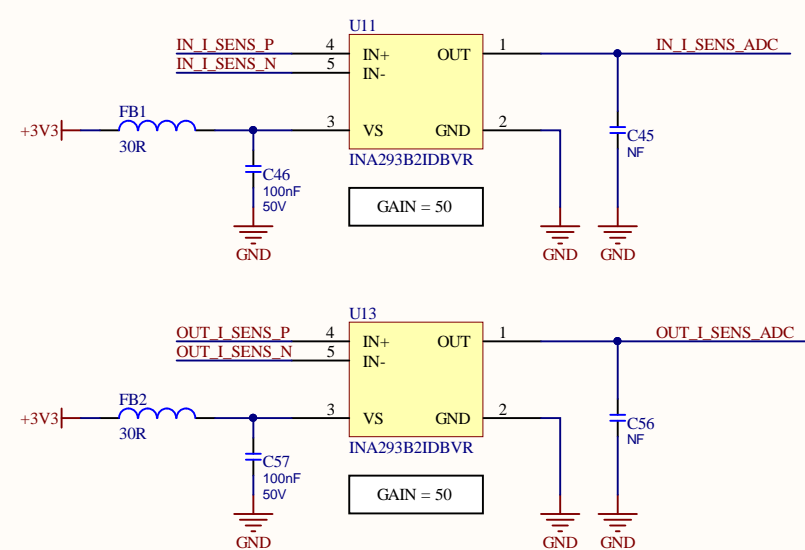


[02] - CONVERTER

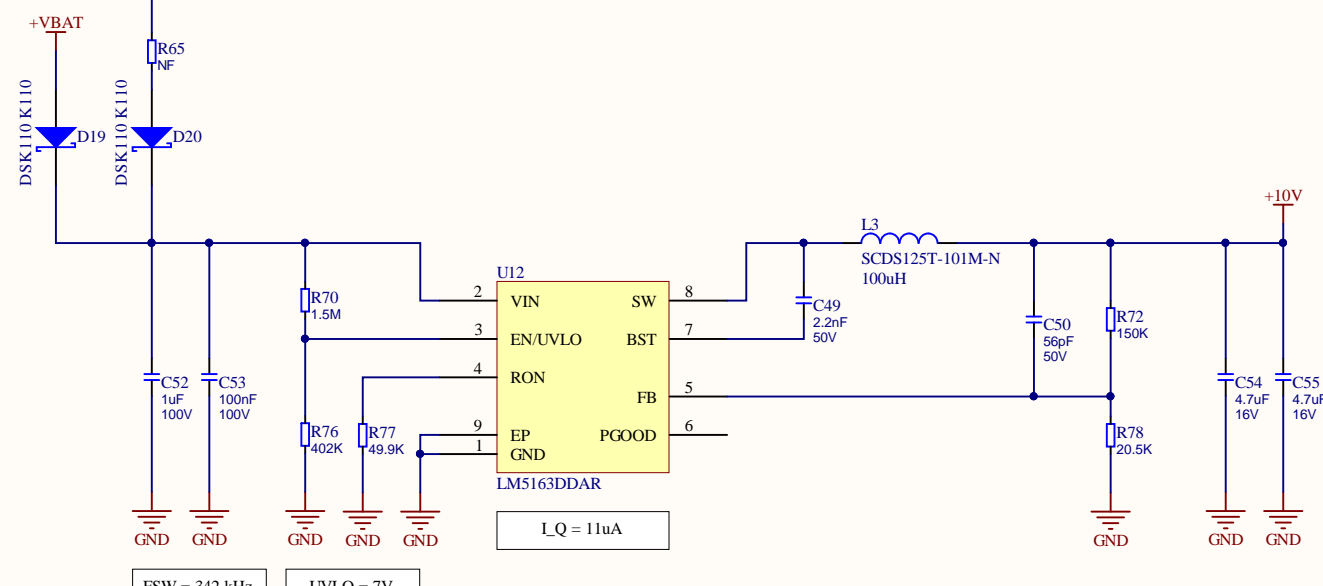
Switching Power Circuit



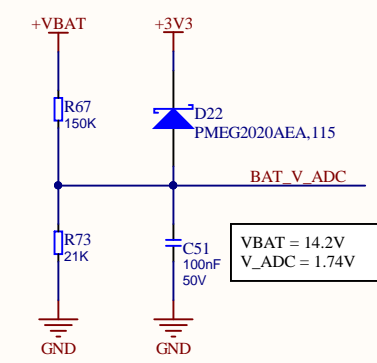
In/Out Current Sens



Step-Down DC/DC (10V)



Bat Voltage Sens



Battery Output

