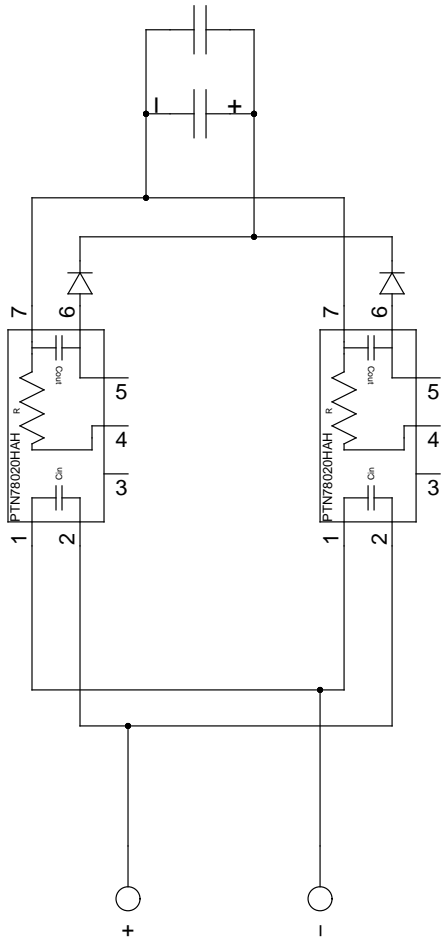
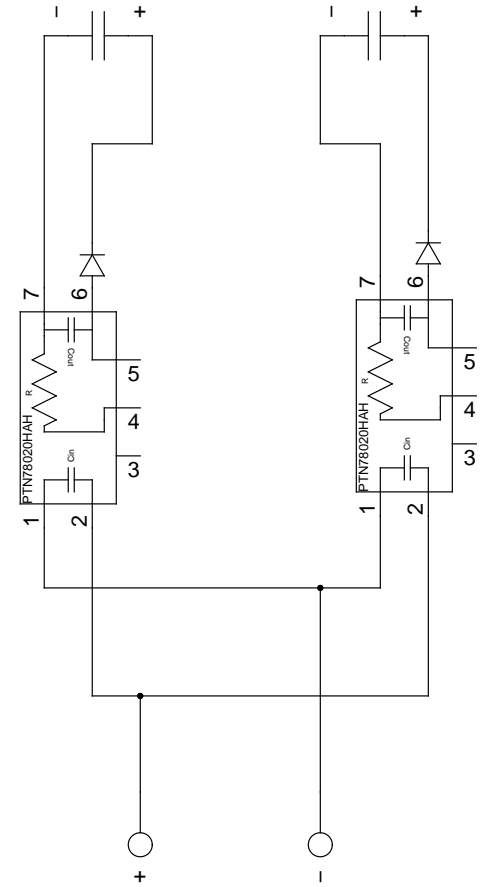


Circuit 1



Circuit 2



TITLE

FILE:

PAGE

OF

REVISION:

DRAWN BY: