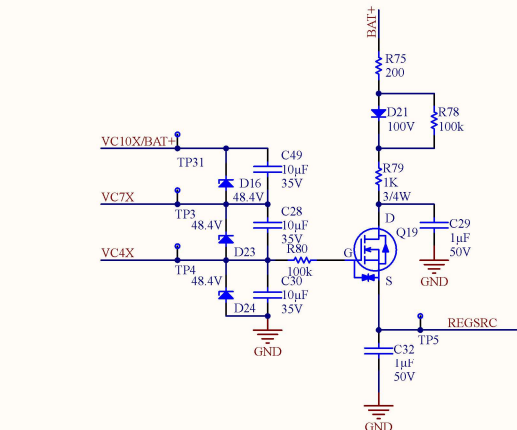


IC2	Pin	Function
VC10	24	VC15
VC9	26	VC14
VC8	27	VC13
VC7B	28	VC12
VC7	29	VC11
VC6	30	VC10B
VC5	31	VC10
VC4	32	VC9
VC3	33	VC8
VC2	34	VC7
VC1	35	VC6
VC0	36	VC5
	37	VC4
	38	VC3
	39	VC2
	40	VC1
	41	VC0
	42	VSS
	43	CHG
	44	DSG
	45	ALERT
	21	NC
	22	NC
	23	NC
	24	NC



	Project: EMLP009	Revision: B
	Page Title: AFE (Analog Front End)	Sheet 2 / 9
	Designer: Jan Stappers	Date: 29/09/2022

CONFIDENTIAL: This document contains confidential information and proprietary to E-MOTIONLABS N.V. and may not be distributed or reproduced without prior express written consent of E-MOTIONLABS N.V.
Please refer questions to E-MOTIONLABS N.V. Industrielaan 1029/1, BE-3730 Hoelseltel. Tel: +32 (0)89 23 00 02