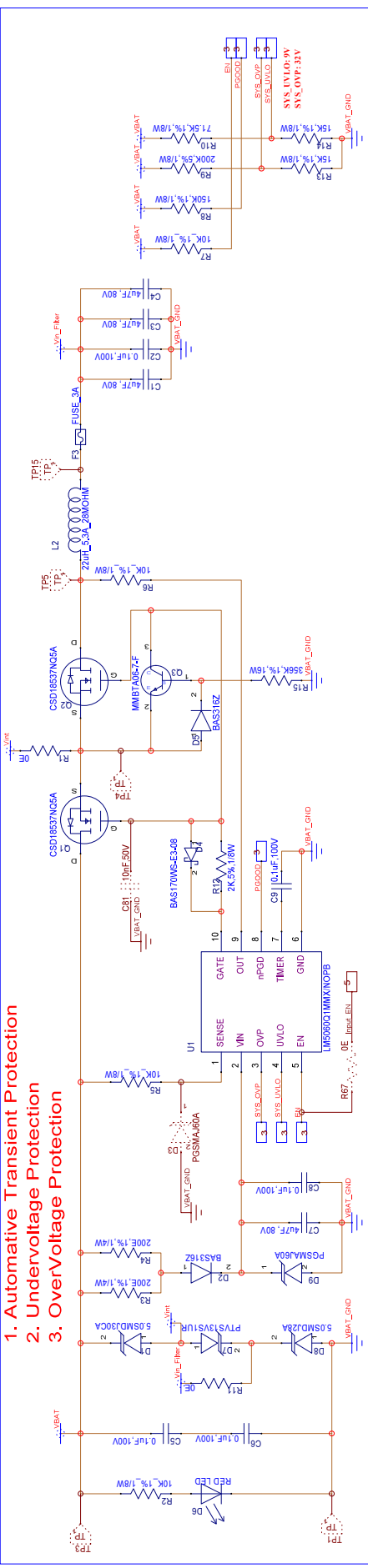
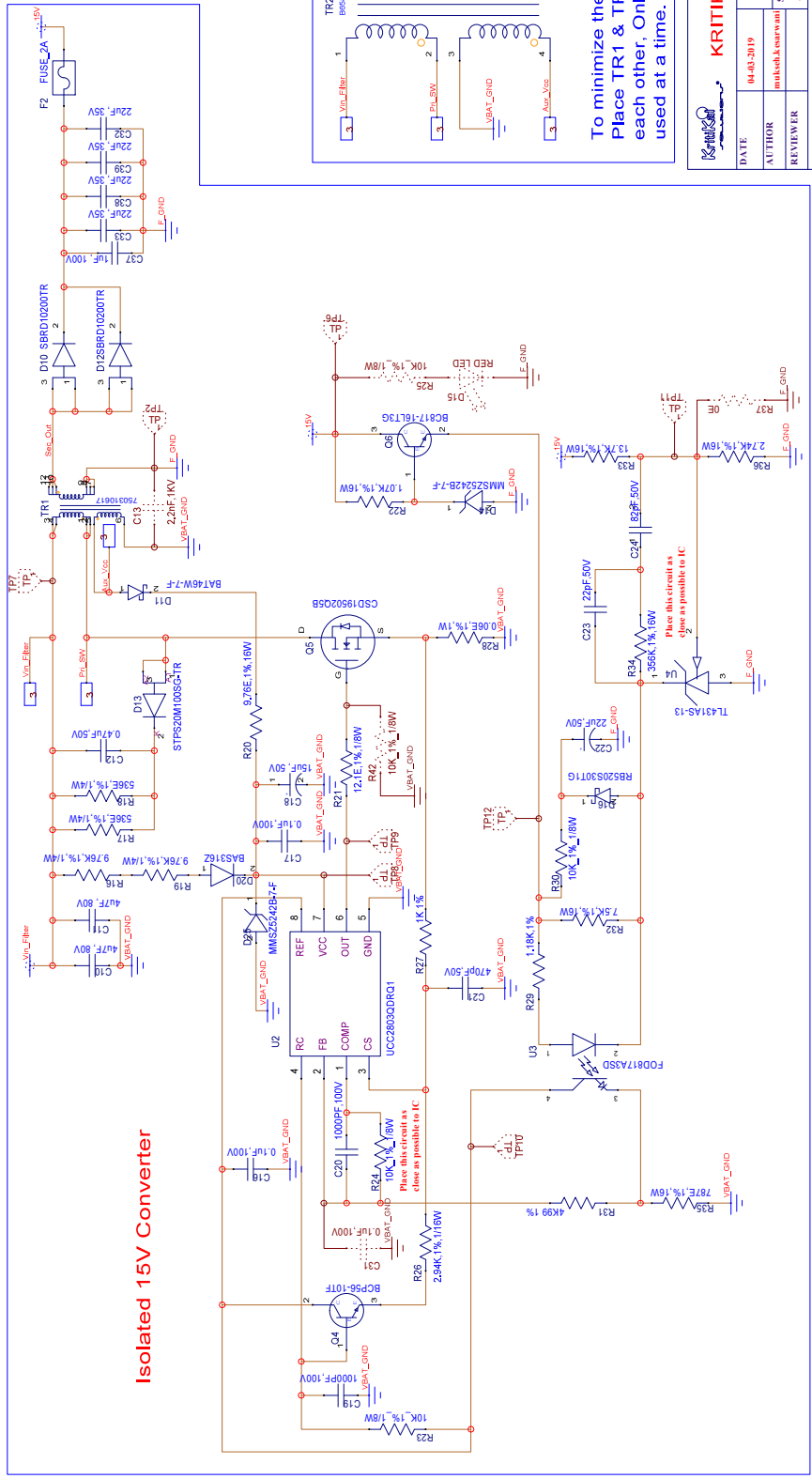


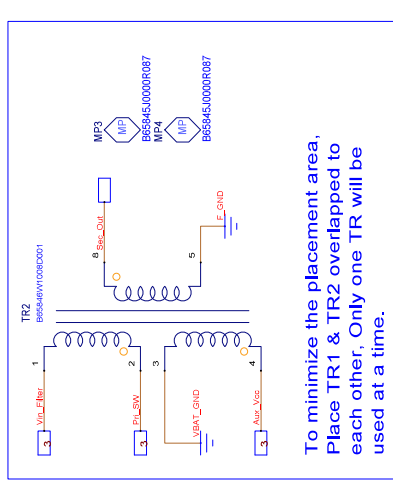
1. Automatic Transient Protection
2. Undervoltage Protection
3. OverVoltage Protection



Isolated 15V Converter



- Track Current:
1. All VBAT: 5A
 2. All Vin_Filter: 5A
 3. All 15V_Filter: 3A
 4. All 15V: 3A
 5. All 5V: 1A



To minimize the placement area, Place TR1 & TR2 overlapped to each other, Only one TR will be used at a time.

KRITIKAL SOLUTIONS PVT. LTD.	
DATE: 04-06-2019	PROJECT CODE: KSPFL_ESC_TDS6_PSI
AUTHOR: anubhav.kumar@kritikal.com	SIZE: SHEET NAME: Protection_IC/DC_Conversion
REVIEWER: AJ	REV: <5>1.0
LEGAL: COPYRIGHT KRITIKAL SOLUTIONS, ALL RIGHTS RESERVED. SHEET NO. 3 of 5	