

1

2

3

4

A

A

B

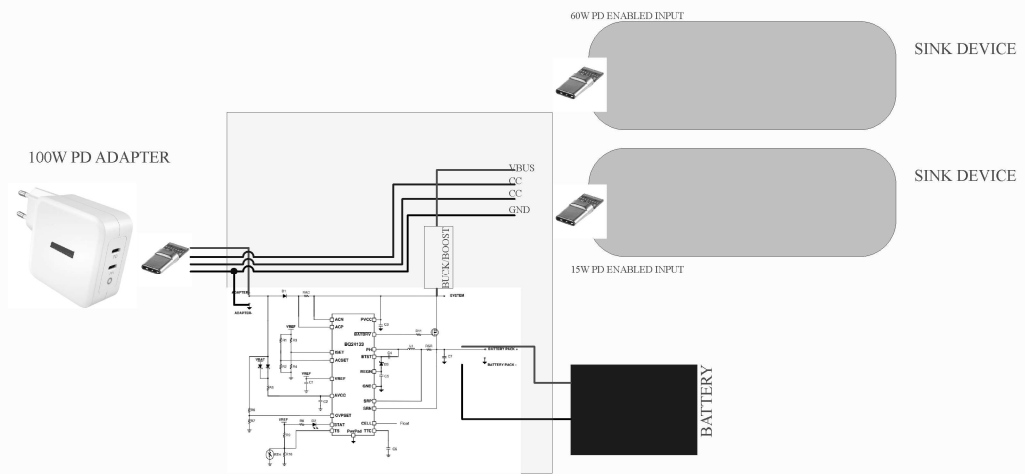
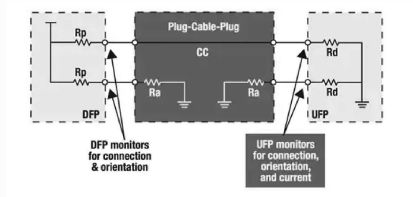
B

C

C

D

D



Title			ENGINEER ALI KHAN	
Size: A4	Number:	Revision:		
Date: 2/10/2022	Time: 11:31:24 PM	Sheet of		
File: E:\Branchchild Engineering\Branchchild NEW\Mogul I Pro\Data\DockStation\OEM\Sheet1.SchDoc				



1

2

3

4