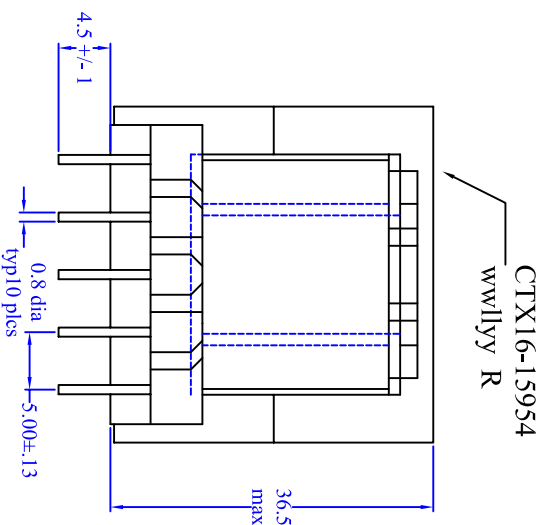
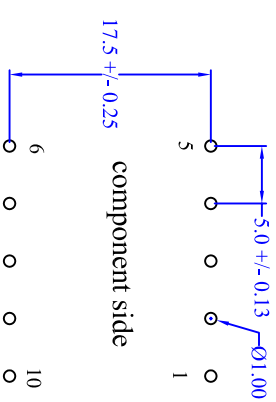


## FRONT VIEW



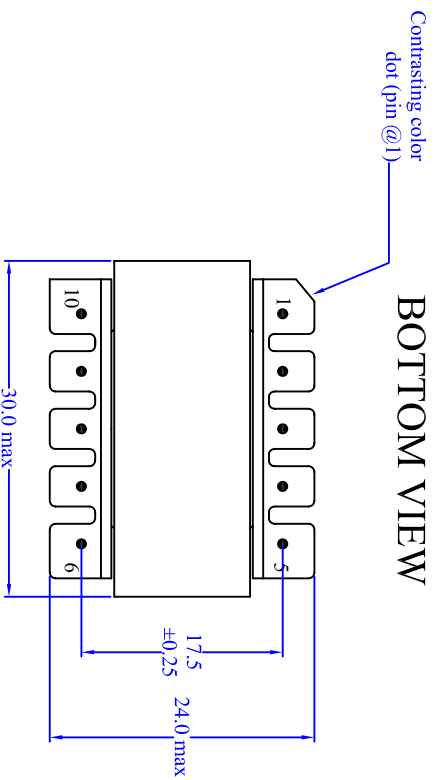
## RECOMMENDED PCB LAYOUT



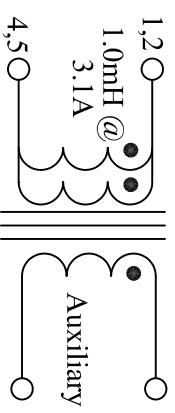
## ELECTRICAL CHARACTERISTICS

OCL @ 10kHz, 0.10Vrms & 0.0A dc. Pins (1,2 - 4,5), 0.90 - 1.10mH  
 OCL @ 10kHz, 0.10Vrms & 3.10A dc. Pins (1,2 - 4,5), 0.75mH min  
 DCR @ 20°C pins (1,2 - 4,5), 0.380 Ohm max.  
 DCR @ 20°C pins (7 - 9), 0.212 Ohm max.  
 Turns ratio; pins (1,2 - 4,5) : (7 - 9), 1:0.082  
 Hipot @ 1500Vdc for 1 second. Pins (1 & 2) to pin 7.

## BOTTOM VIEW



## SCHEMATIC



### Notes:

- 1) All Dimensions are in millimeters unless otherwise specified.
- 2) Tolerances are 0.x +/- 0.25; 0.xx +/- 0.13 unless stated otherwise.
- 3) wwilly = (Date Code) R= (Revision Level)
- 4) PCB tolerances are +/- 0.1 unless stated otherwise.
- 5) This document is subject to change without notice.
- 6) RoHS compliant.

### COOPER ELECTRONIC TECHNOLOGIES

1225 Broken Sound Parkway NW, Suite F, Boca Raton, FL 33487

Inductor PFC with Auxiliary winding  
 85 - 375Vdc : 400Vdc @ 0.25A (100 Watts)

100kHz, 1mH @ 3.1A peak  
 ER28L 10 pin vertical THT

Size Drawing Number: CTX16-15954

A Revision Level: B Sheet 3 of 6