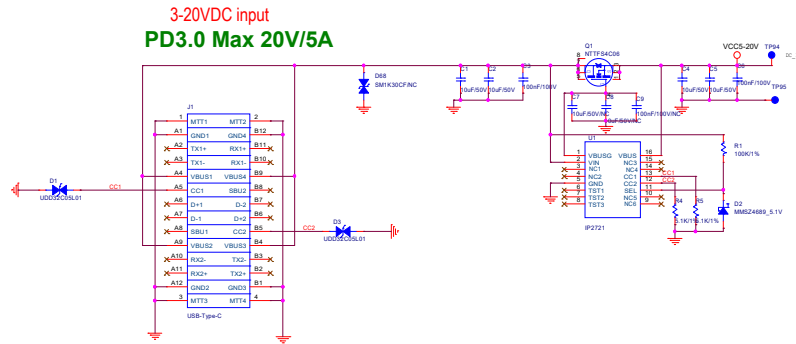
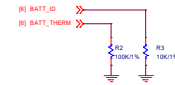


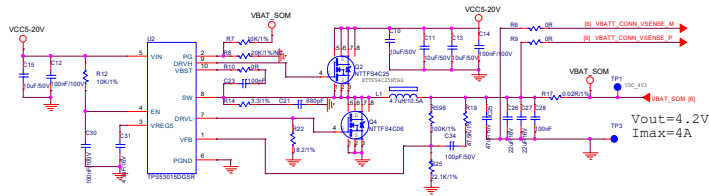
Power supplies



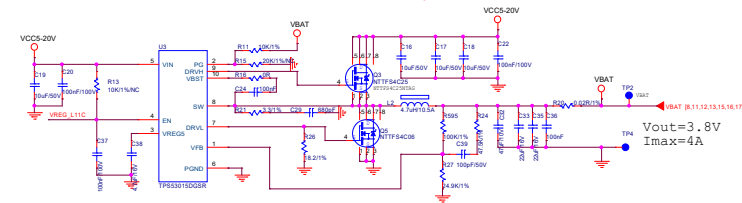
BATT_ID/BATT_THERM



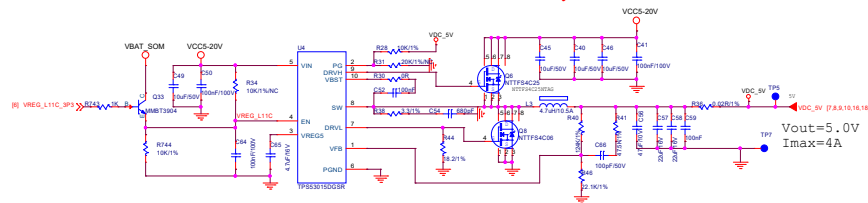
VBAT for SOM(4.2V)
always on



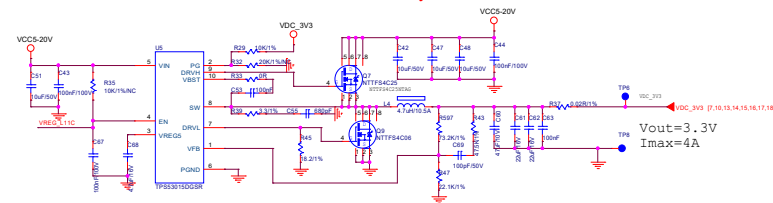
VBAT for mainboard (3.8V)
controlled by VREG_L11C_3P3



DCDC 5V
controlled by VREG_L11C_3P3



DCDC 3.3V
controlled by VREG_L11C_3P3



SENSORO			
File	ICS-GIS-16512T		
Rev	Document Number	TYPE-C PD POWERDC-DC	
Rev D	Monday, February 22, 2021	Sheet	5 of 19