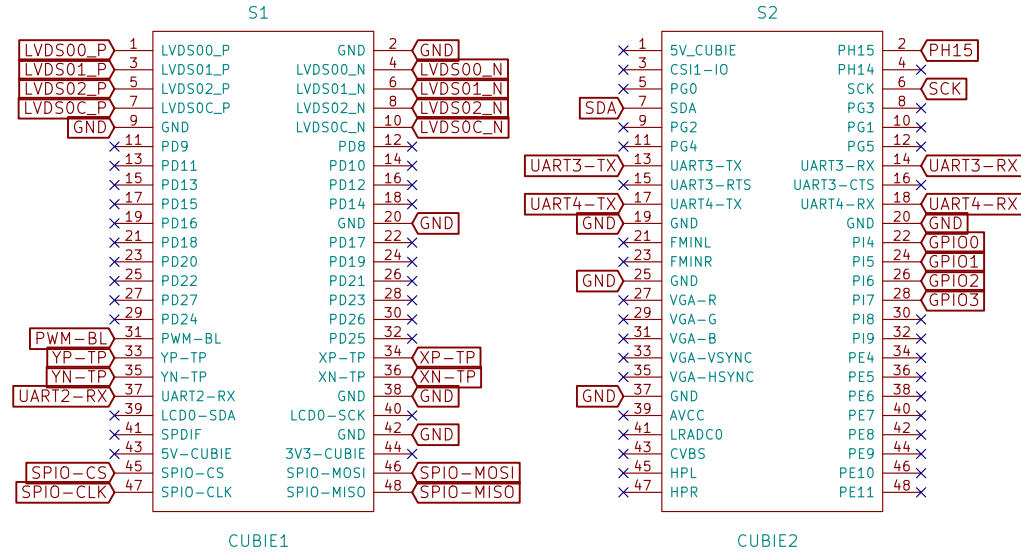
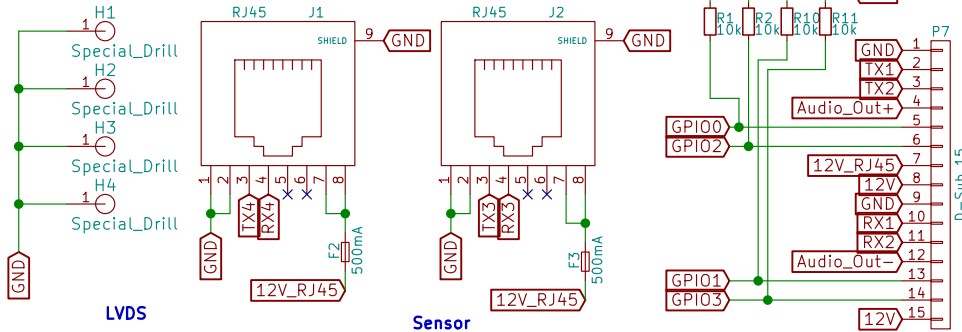


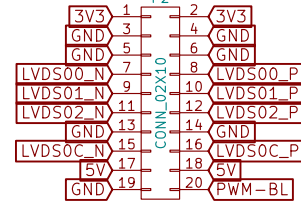
Connectors



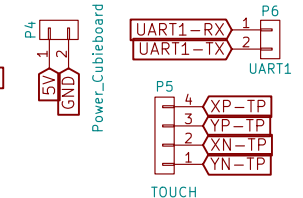
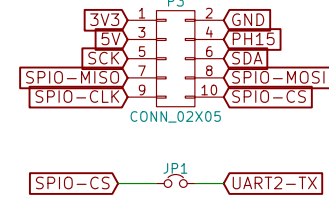
Mounting holes



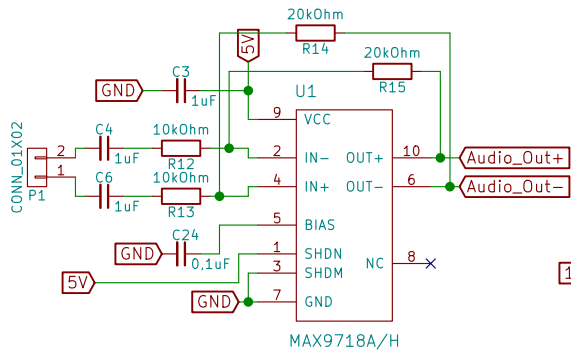
LVDS



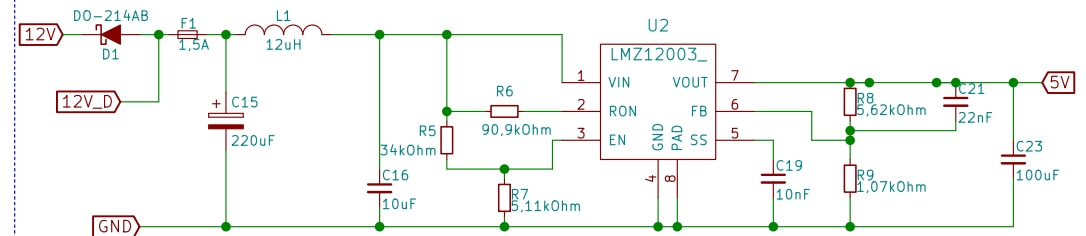
Sensor



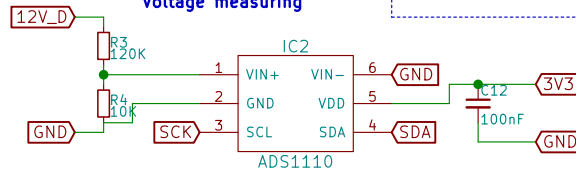
Audio



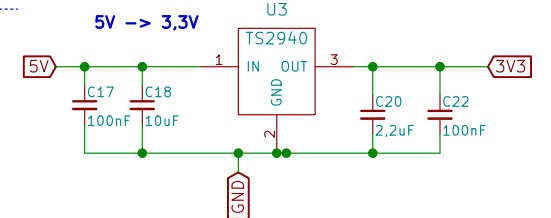
Power



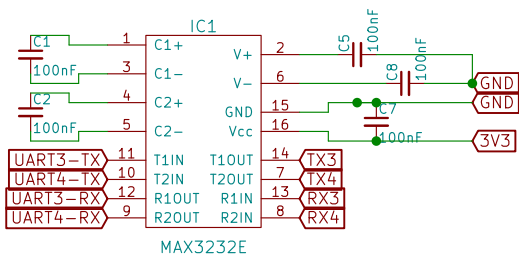
Voltage measuring



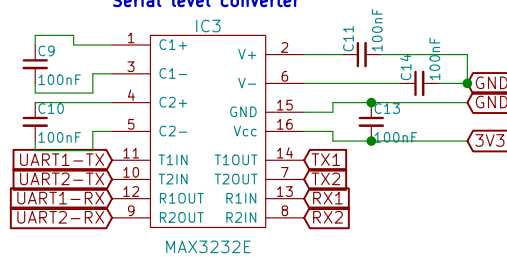
5V → 3,3V



Serial level converter



Serial level converter



C by SteFly for www.openvario.org

Sheet: /
File: OpenvarioMainboard_V33.sch

Title: Adapterboard for 5,7" & 7" Chefree Display

Size: A4 Date: 2016-10-17

KiCad E.D.A. kicad 4.0.4-stable

Rev: V3.0

Id: 1/1