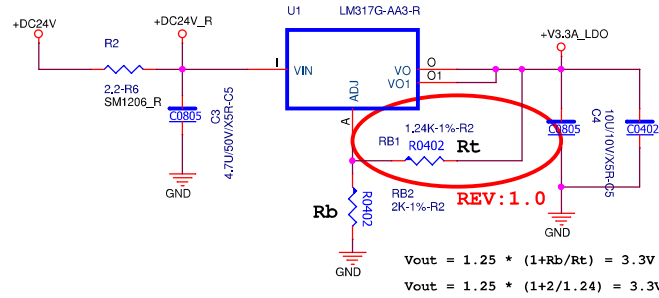
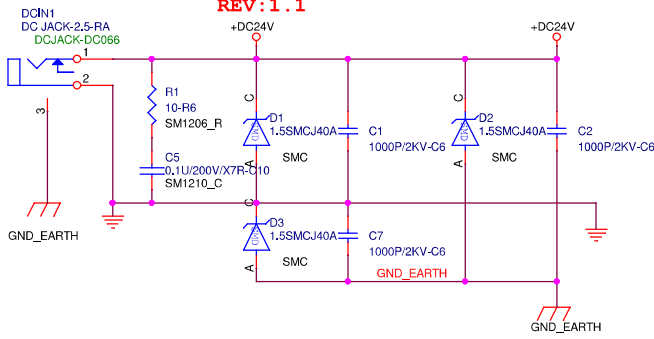


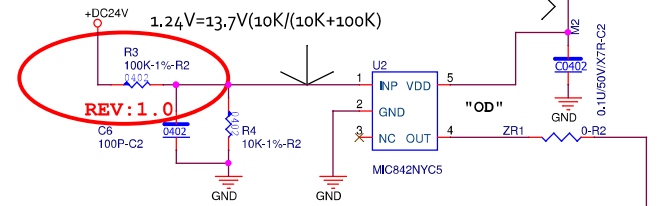
DC 24V Input

REV: 1.1



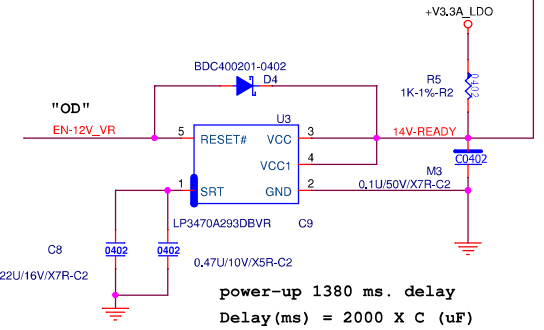
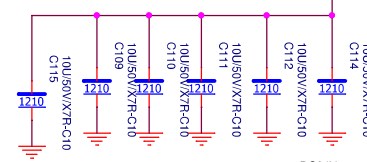
***Power ON when +DC24V> 8.7V

Detect Voltage over 13.7V

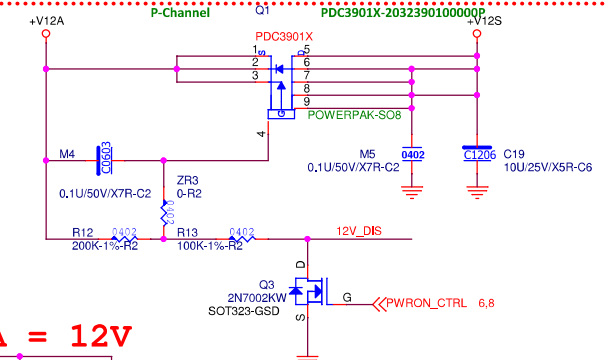


R11
LP3470IM5-2.93/NOPB chane to LP3470A293DBVR

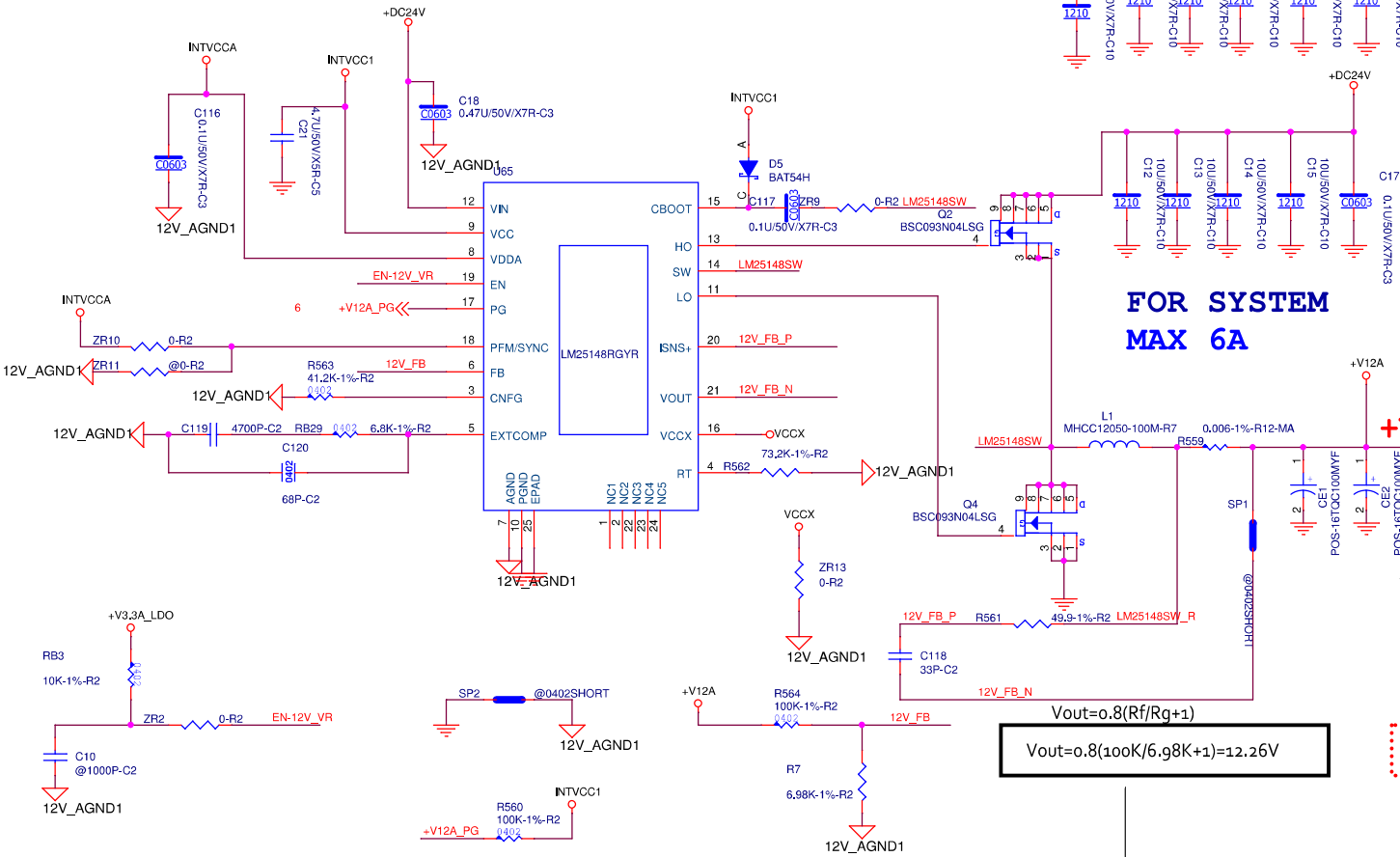
9~36V input



R11
SI7145DP-T1-GE3 or PDC3901X chane to PDC3901X



FOR SYSTEM MAX 6A



R11
2N7002W chane to 2N7002KW