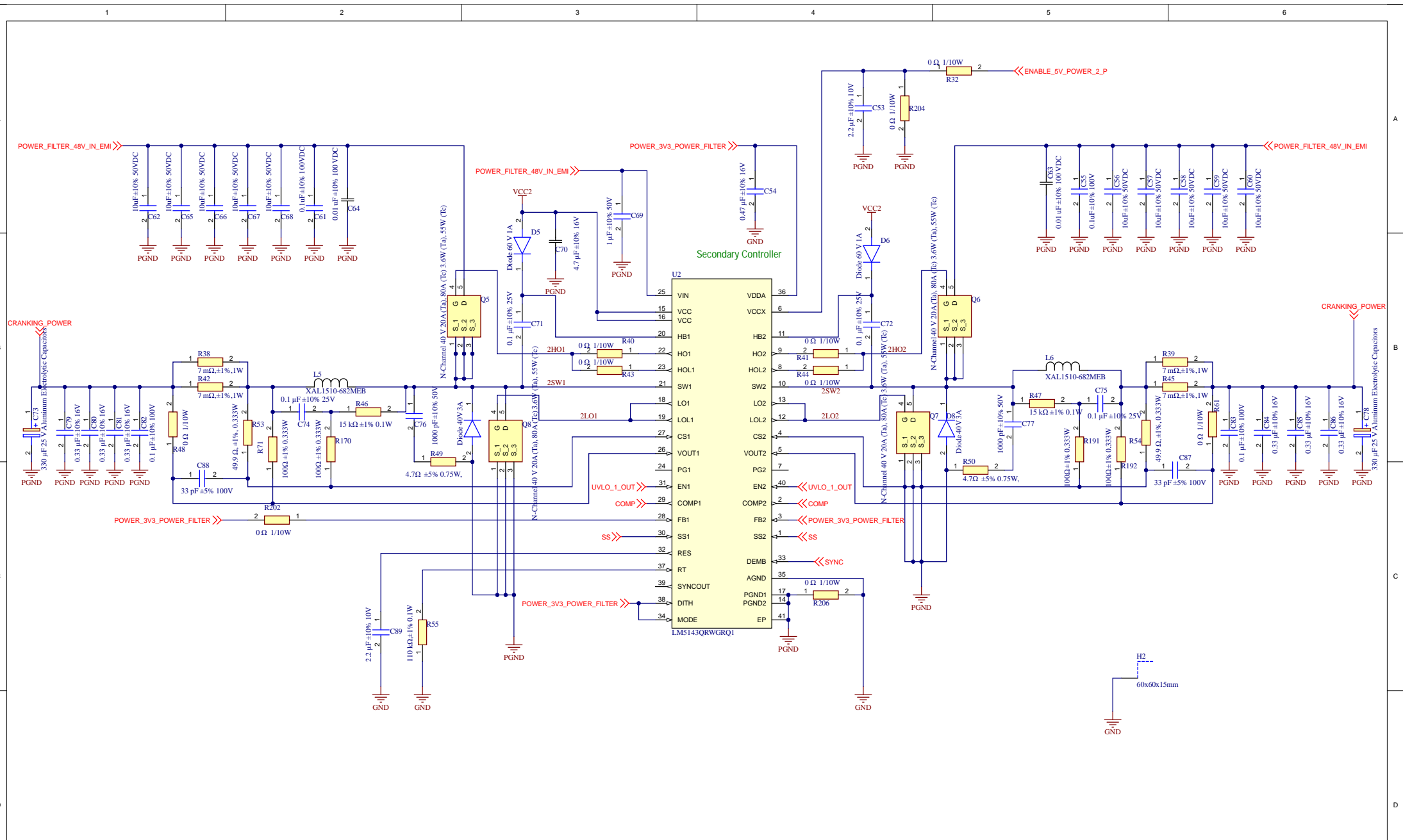


Texas Instruments and/or its licensors do not warrant the accuracy or completeness of this specification or any information contained herein. Texas Instruments and/or its licensors do not warrant that this design will meet the specifications, will be suitable for your application or fit for any particular purpose, or will operate in an implementation. Texas Instruments and/or its licensors do not warrant that the design is production worthy. You should completely validate and test your design implementation to confirm the system functionality for your application.

Orderable:	Designed for:	Mod. Date: 25-07-2023
TID #:	Project Title:	
Number:	Rev:	Sheet Title: LMS143 4-Phase Buck 690W
SVN Rev: Not in version control	Assembly Variant: [No Variations]	Sheet: 1 of 2
Drawn By: B. Geck	File: PHS1202RevB-SH1_SchDoc	Size: B
Engineer:	Contact:	



http://www.ti.com
© Texas Instruments



Texas Instruments and/or its licensors do not warrant the accuracy or completeness of this specification or any information contained therein. Texas Instruments and/or its licensors do not warrant that this design will meet the specifications, will be suitable for your application or fit for any particular purpose, or will operate in an implementation. Texas Instruments and/or its licensors do not warrant that the design is production worthy. You should completely validate and test your design implementation to confirm the system functionality for your application.	
Orderable:	Designed for:
TID #:	Project Title:
Number:	Rev:
SVN Rev:	Not in version control
Drawn By:	B. Geck
Engineer:	Contact:



TEXAS
INSTRUMENTS

http://www.ti.com

© Texas Instruments

Mod. Date: 25-07-2023
 Sheet Title: LMS143 4-Phase Buck 690W
 Sheet: 2 of 2
 File: PHS1202RevB-SH2-SchDoc
 Size: B