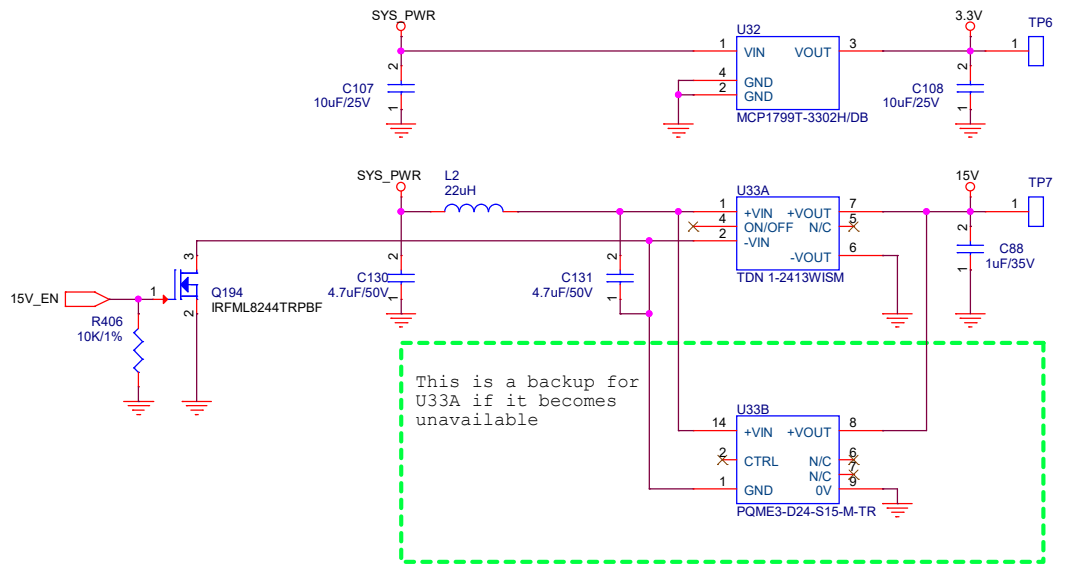
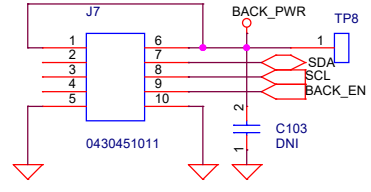


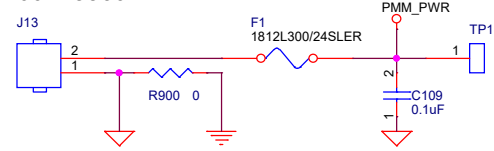
This connector is for powering the Motiva from its back side.

This connector is for future backside power for Motiva, either conductive or wireless

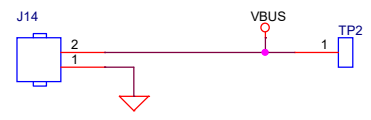


This is a backup for U33A if it becomes unavailable

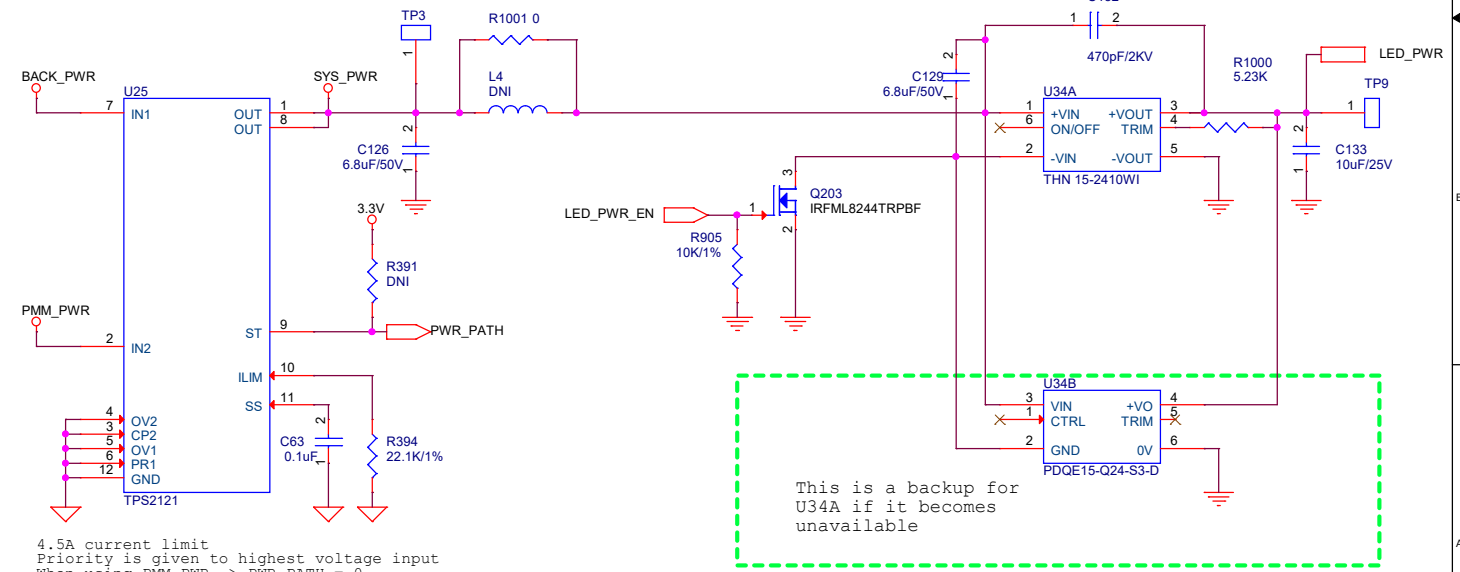
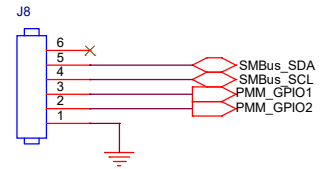
Connect to PMM240 DC Output Connector



Connect to PMM240 DC Input Connector



Connect to PMM240 UI Connector



This is a backup for U34A if it becomes unavailable

4.5A current limit
Priority is given to highest voltage input
When using PMM PWR--> PWR_PATH = 0
When using BACK_PWR --> PWR_PATH = 1



Title		
Size B	Document Number	Rev 2.1
Date:	Sunday, December 12, 2021	Sheet 4 of 10