

**+8.5V**

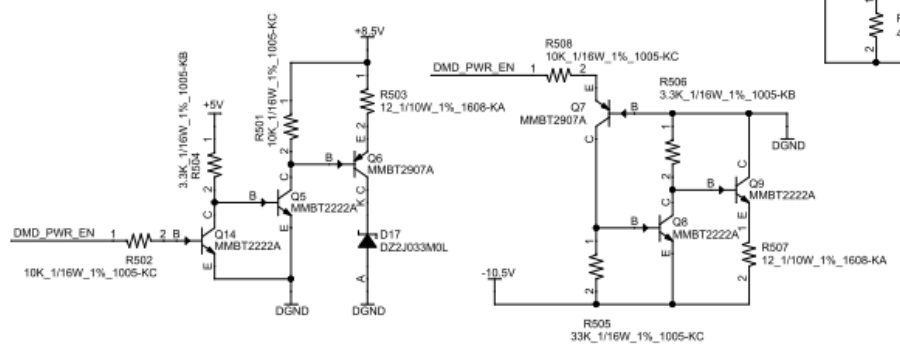
+8.5V: 3.3mA

**-10.5V**

-10.5V: 3.1mA

**+16.5V**

+16.5V: 3.5mA



$$V_{out1} = 1.146V * (1 + 360k/56k) = 8.513V$$

$$V_{out2} = -1.213V * 620k/75k = -10.027V$$

$$V_{out3} = 1.214V * (1 + 680k/56k) = 15.955V$$

DLP4500

	MIN	NOM	MAX
V <sub>OFFSET</sub>	8.25V	8.5V	8.75V
V <sub>RESET</sub>	-9.5V	-10.0V	-10.5V
V <sub>BIAS</sub>	15.5V	16.0V	16.5V

