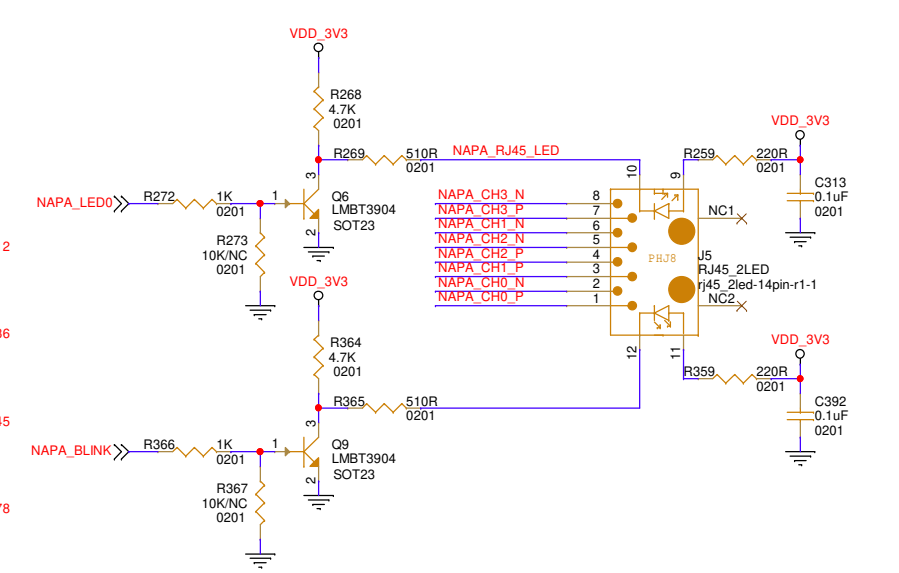
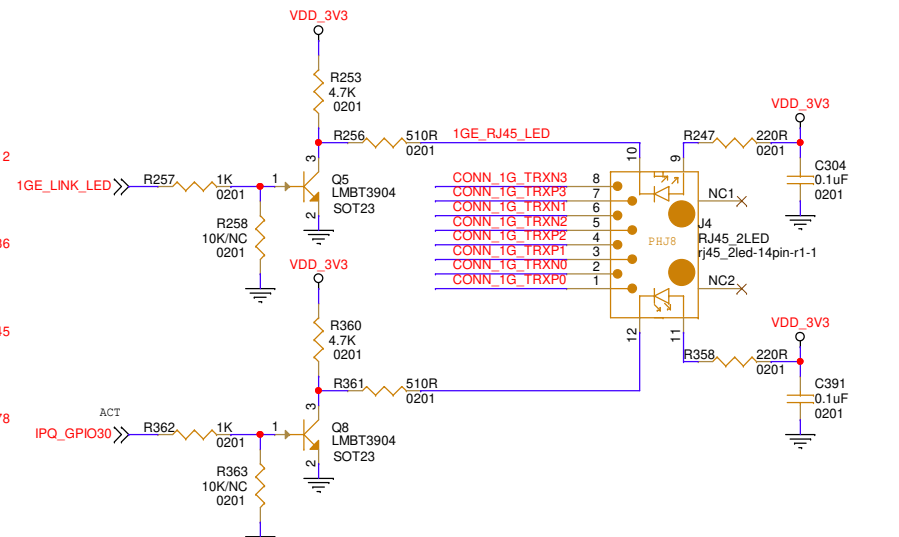
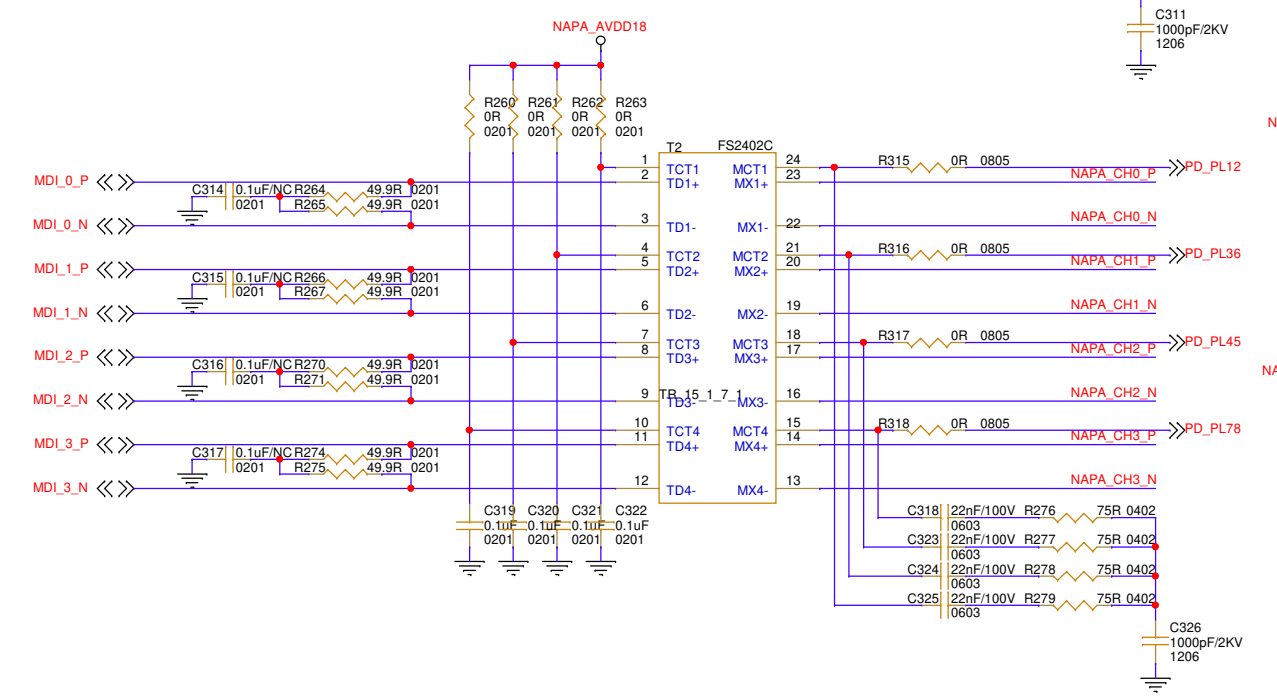
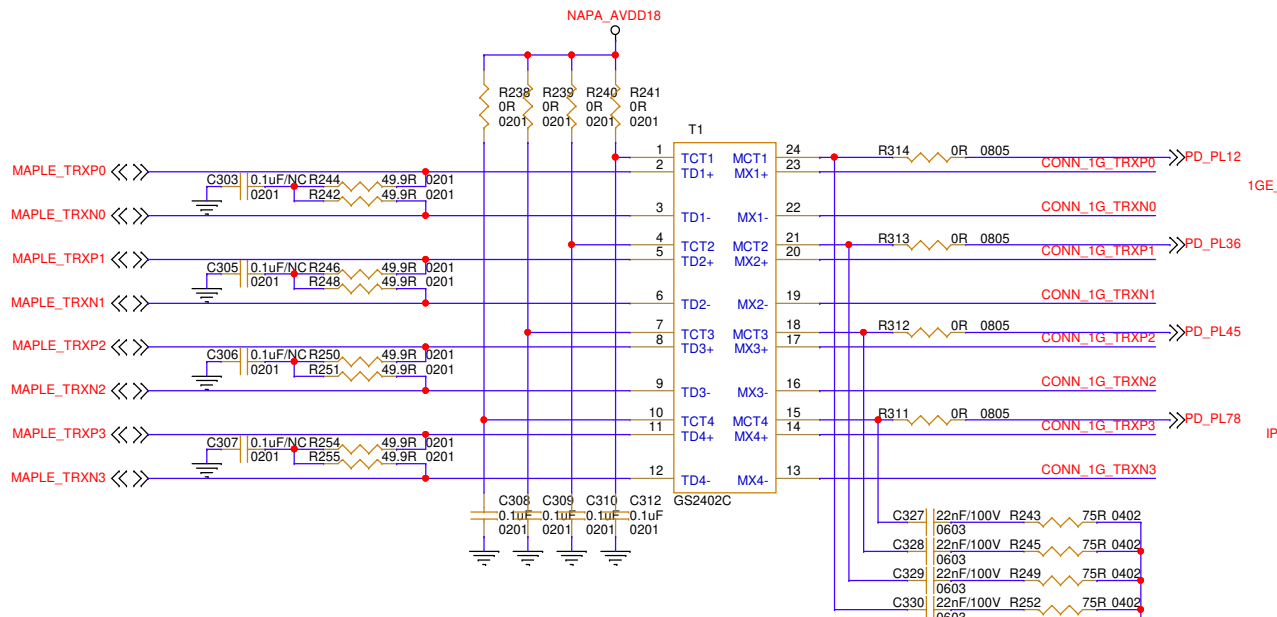


2.125A / 90mil



Circuit		12_PoE PD	
Model Name		XPB-267 Enterprise AP	
Designer	Goody / Desson	PCB	<PCB Number>
Date	Monday, August 15, 2022	Sheet	12 of 36
		Rev	UA



<b>UMEDIA</b> U-MEDIA Communications, Inc.			
Circuit: 28_Transformer/RJ45			
Model Name: XPB-267 Enterprise AP			
Designer: Gooly / Desson	PCB: <PCB Number>	Rev: UA	
Date: Monday, August 15, 2022	Sheet: 28 of 36		