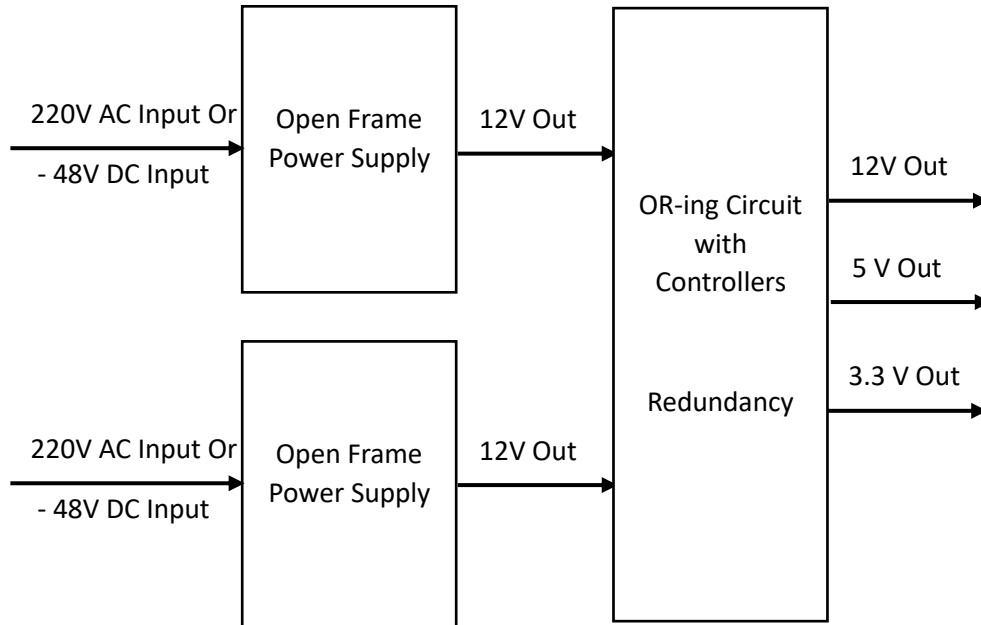


A redundant power supply with wattage requirement of about 70W.

OR-ing circuit with Controllers to achieve redundancy with 2 power supply outputs.

We have 1U chassis with 100mm x 200mm space approx. available for complete power supply design.



---

OR

---

