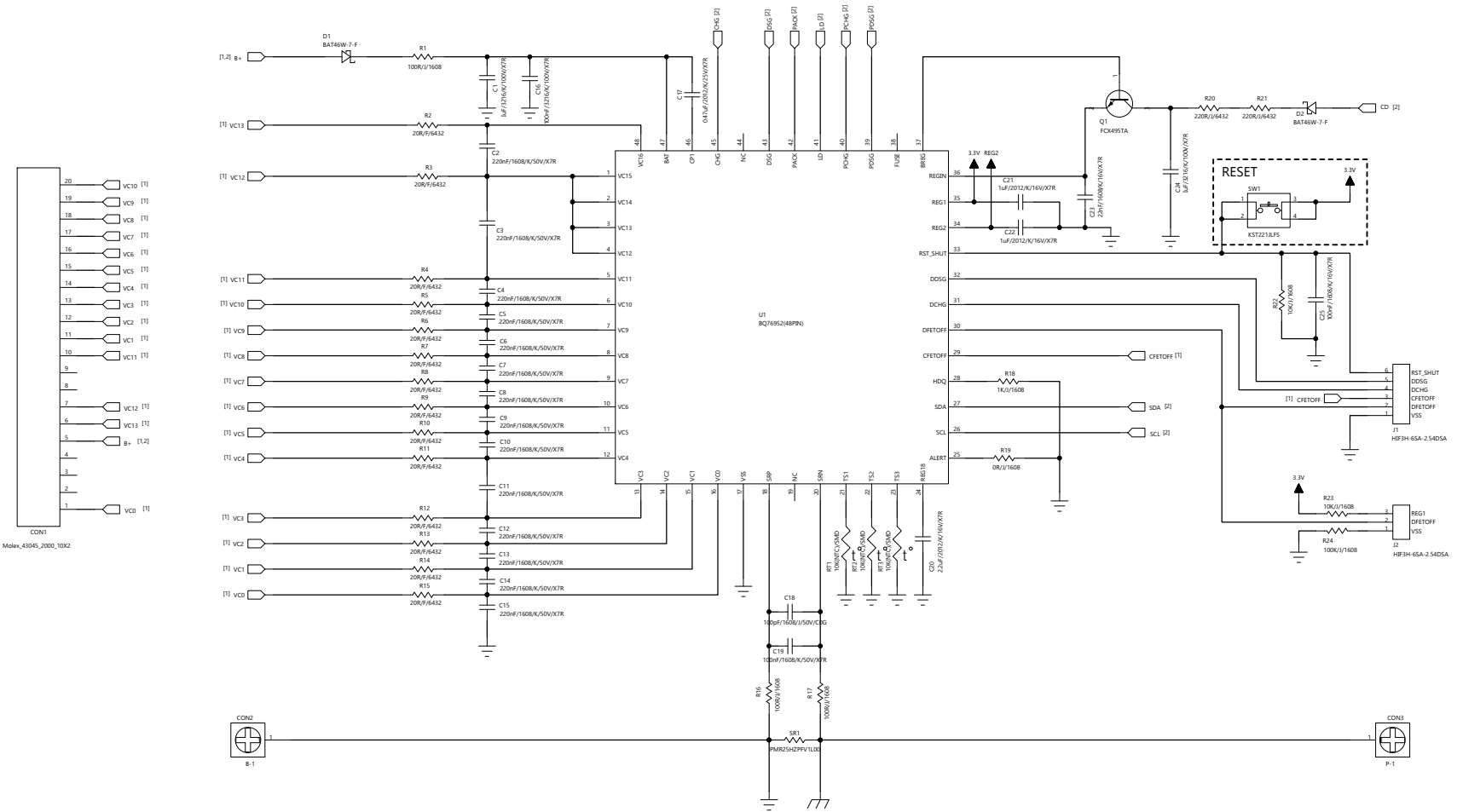


REVISION RECORD			
LTR	ECO NO:	APPROVED:	DATE



COMPANY:			
TITLE:			
DRAWN:	DATED:	CODE:	SIZE:
CHECKED:	DATED:	DRAWING NO:	REV:
QUALITY CONTROL:	DATED:	A2	
RELEASED:	DATED:		
SCALE:		SHEET: 08 2	

D

D

C

C

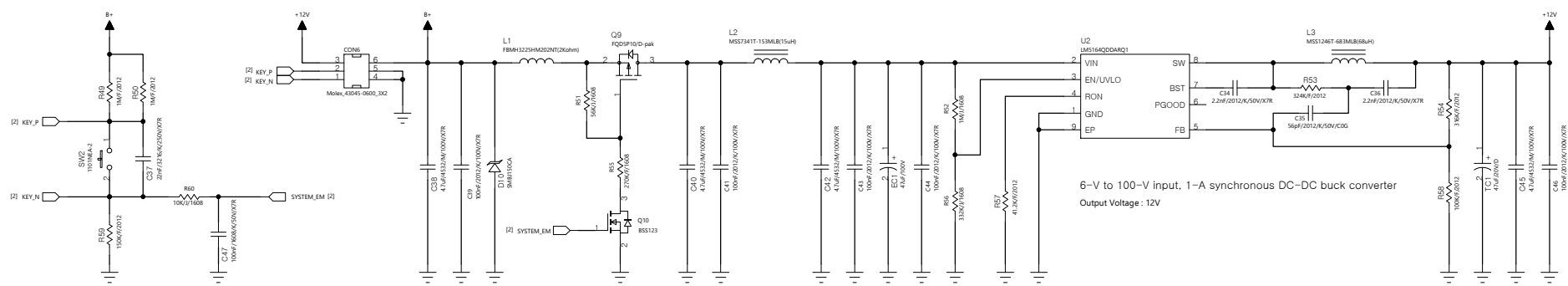
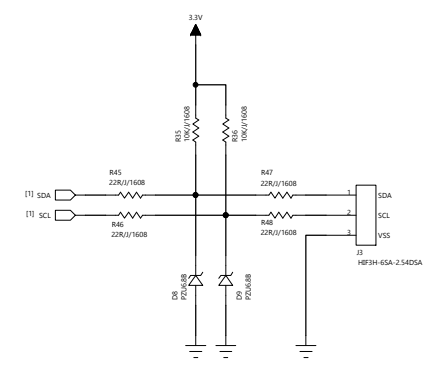
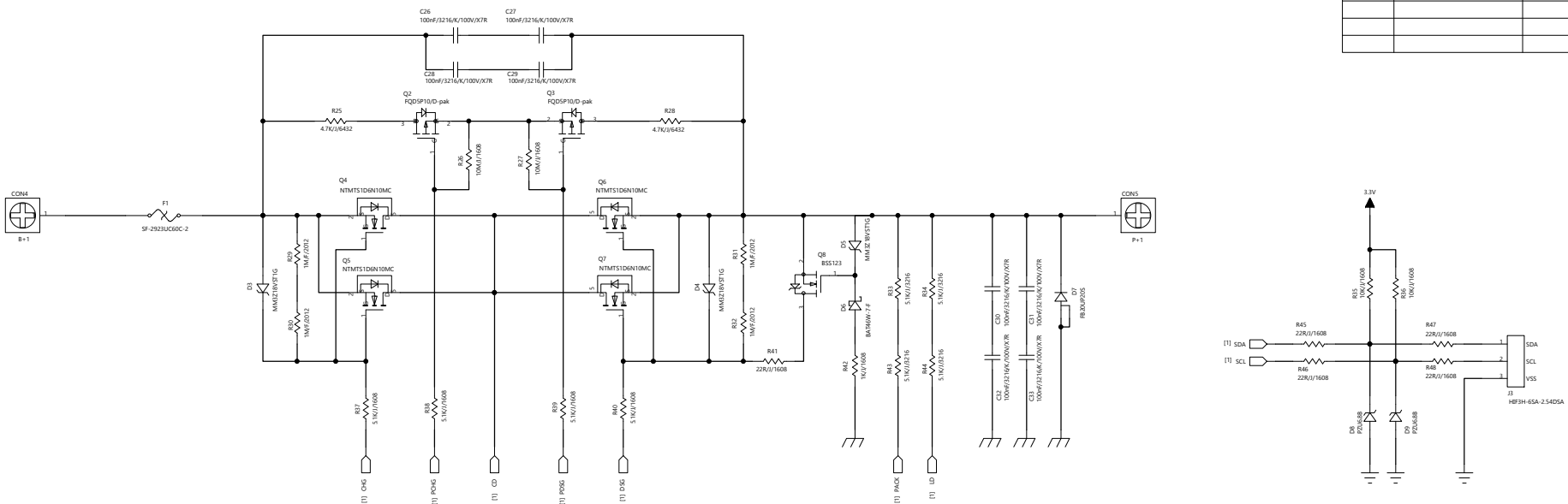
B

B

A

A

REVISION RECORD			
LTR	ECO NO:	APPROVED:	DATE



6-V to 100-V input, 1-A synchronous DC-DC buck converter  
Output Voltage : 12V

D

C

B

A

D

C

B

A

COMPANY:			
TITLE:			
DRAWN:	DATED:	CODE:	SIZE:
CHECKED:	DATED:	DRAWING NO:	REV:
QUALITY CONTROL:	DATED:	A2	
RELEASED:	DATED:		
SCALE:		SHEET: 02 2	