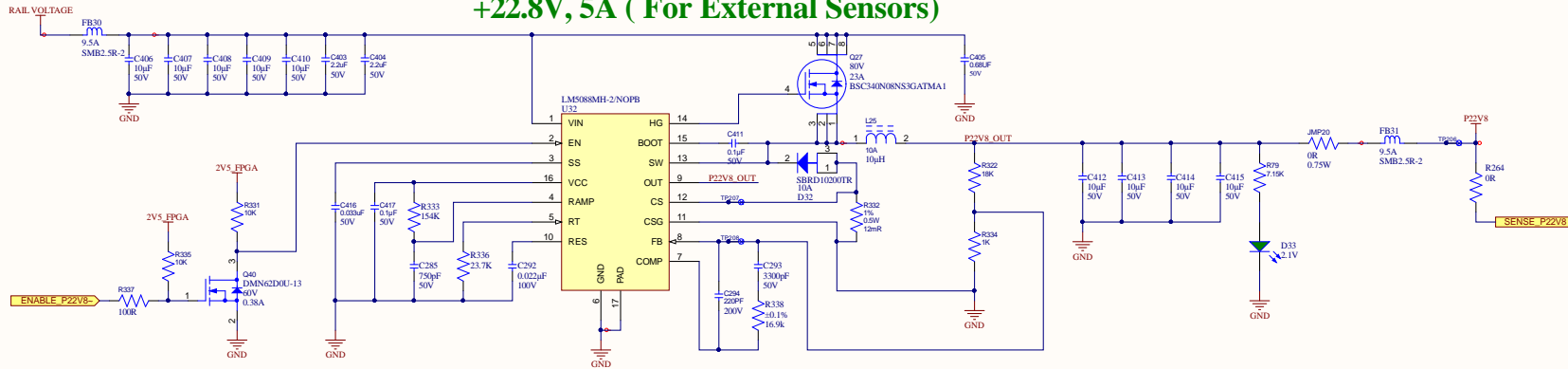




+22.8V, 5A (For External Sensors)



-22.8V, 5A (For External Sensors)

