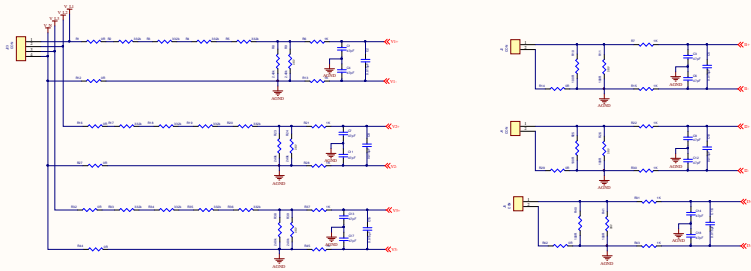
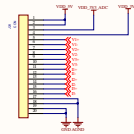


Mating Parts: 7J04513300000

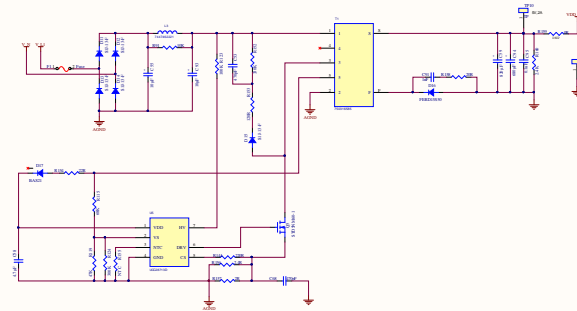
3- Ph Inputs & Coil Inputs



Mating Parts: 3* 7J02515300000



5V,2A SMPS



REGULATOR's

