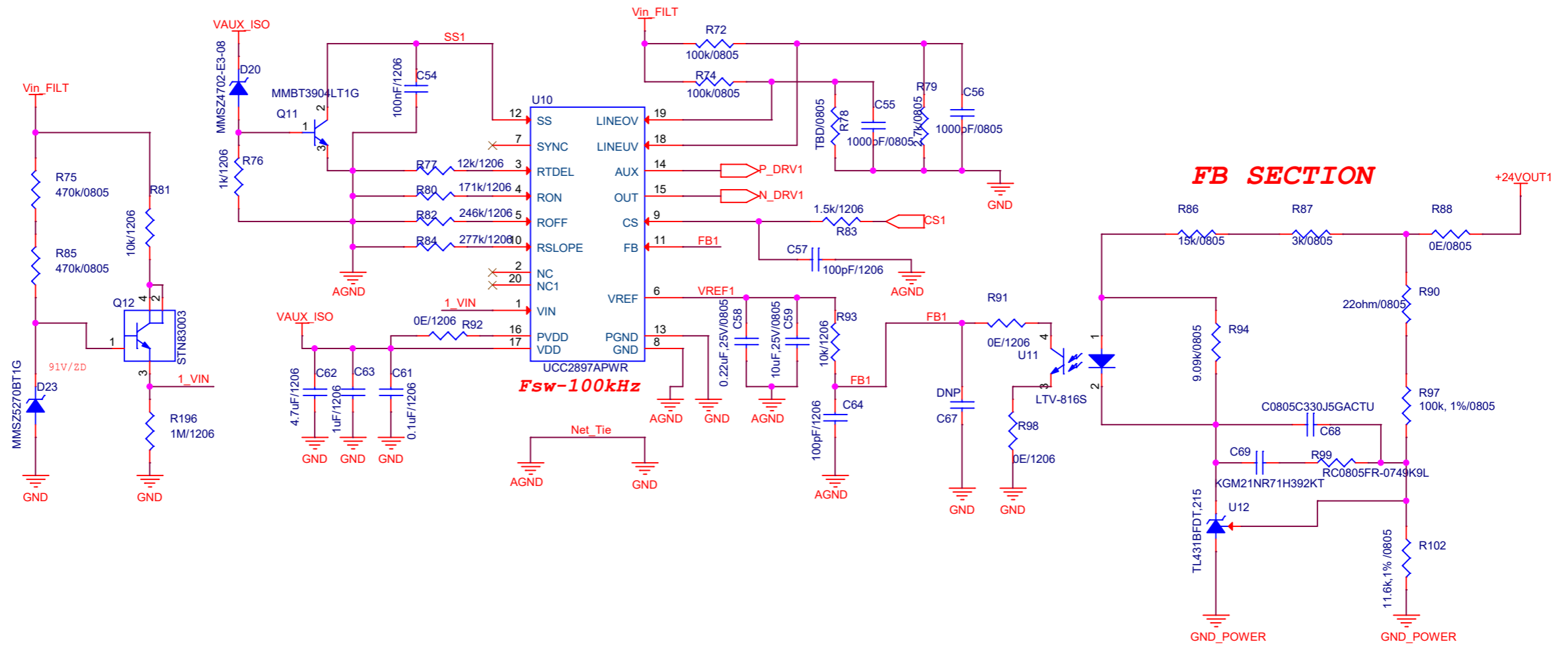
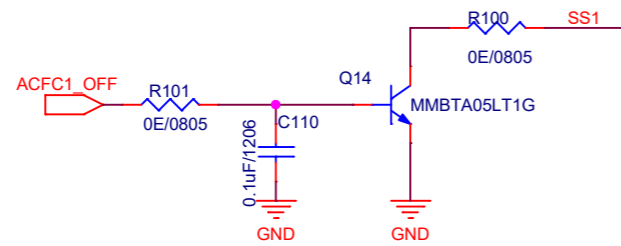


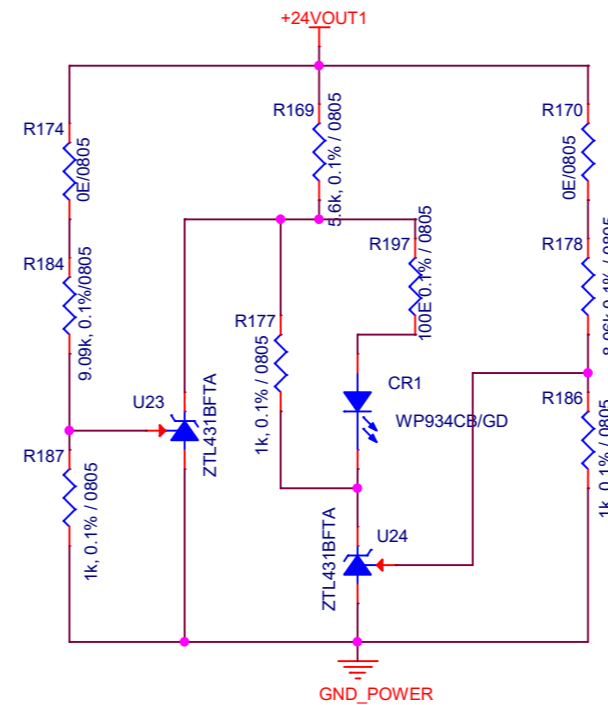
## ACFC - CONTROLLER SECTION



## UV/OV PROTECTION



## +24VOUT1 POWER ON LED INDICATION



Connection of Two Grounds: AGND (analog ground) and PGND (power ground). Two grounds should be connected using a net tie right between GND pin 8 and PGND pin 13 at IC, and there should be only this connection between two grounds.

Title		<Title>
Size	Document Number	Rev
A3	<Doc>	<RevCode>
Date:	Tuesday, February 03, 2026	Sheet 2 of 3