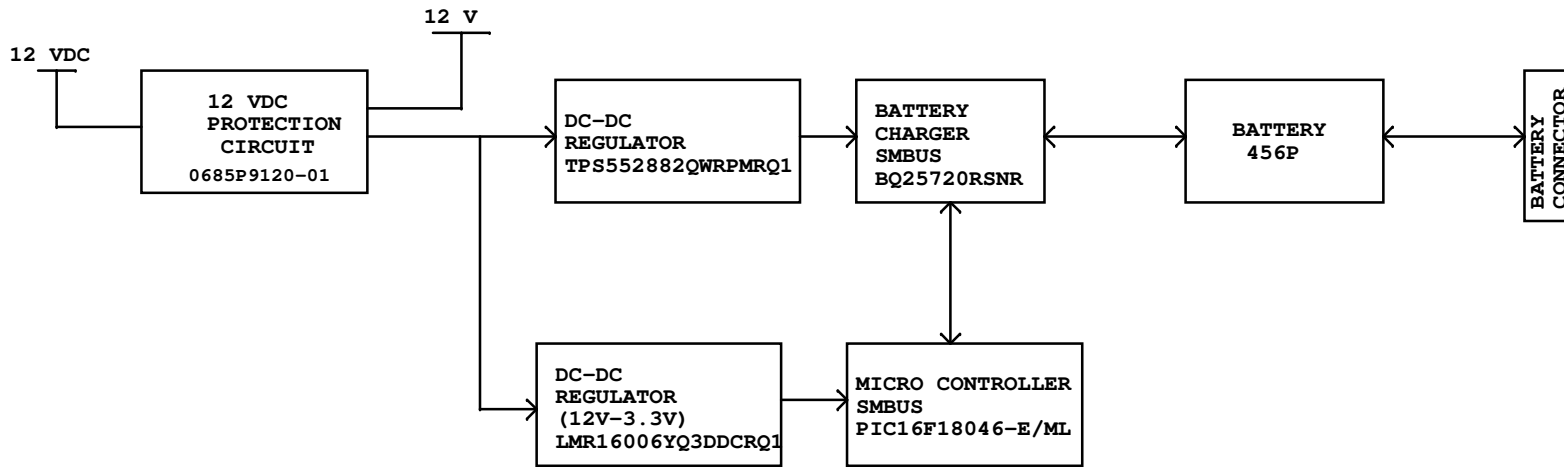
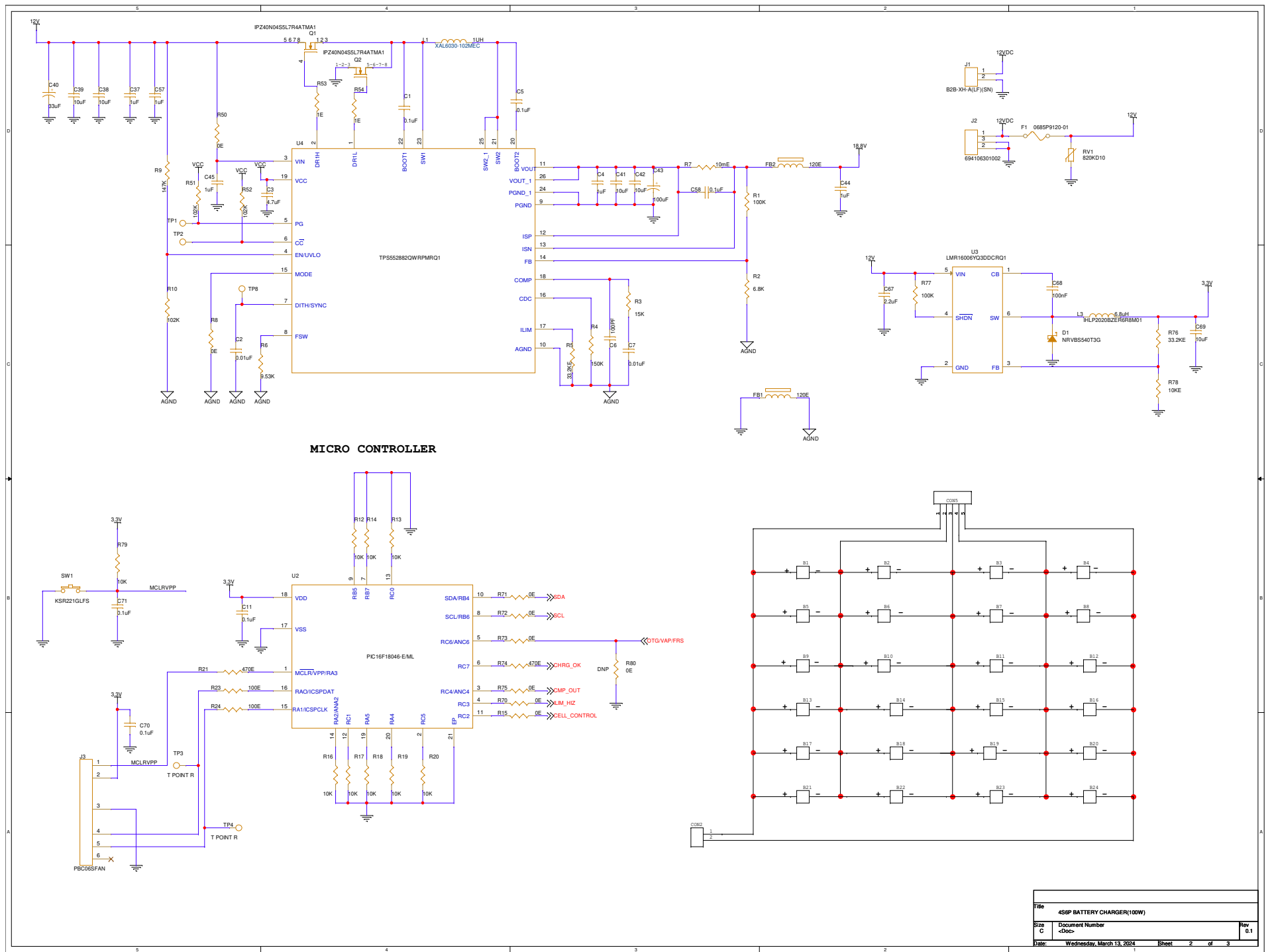


BLOCK DIAGRAM

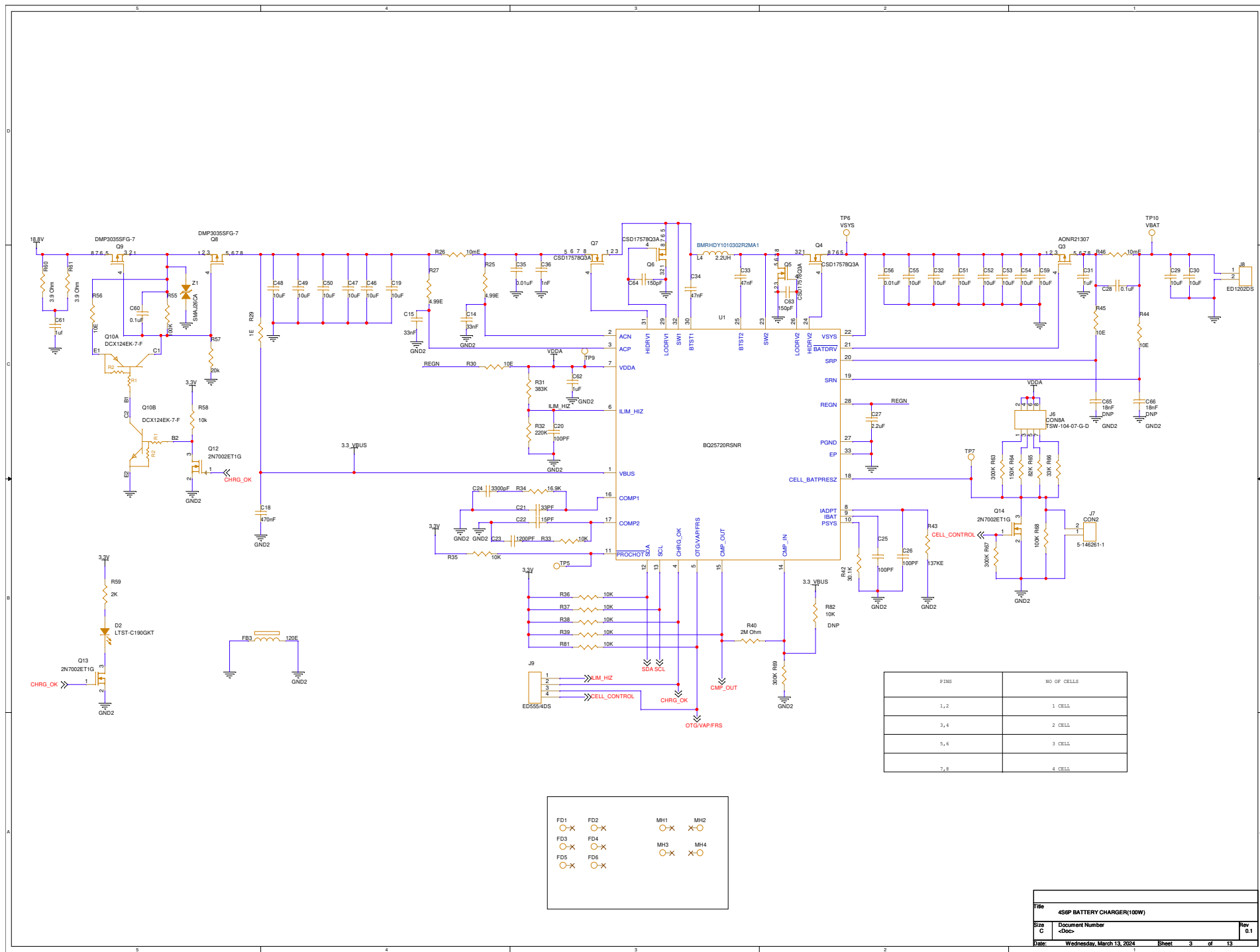


File		
4SOP BATTERY CHARGER(100W)		
Size	Document Number	Rev
C	<Doc>	0.1
Date:	Wednesday, March 13, 2008	Sheet 1 of 3



MICRO CONTROLLER

File	4SOP BATTERY CHARGER(100W)	
Size	Document Number	Rev
C	<Doc>	0.1
Date:	Wednesday, March 13, 2025	Sheet 2 of 3



PINS	NO OF CELLS
1,2	1 CELL
3,4	2 CELL
5,6	3 CELL
7,8	4 CELL

