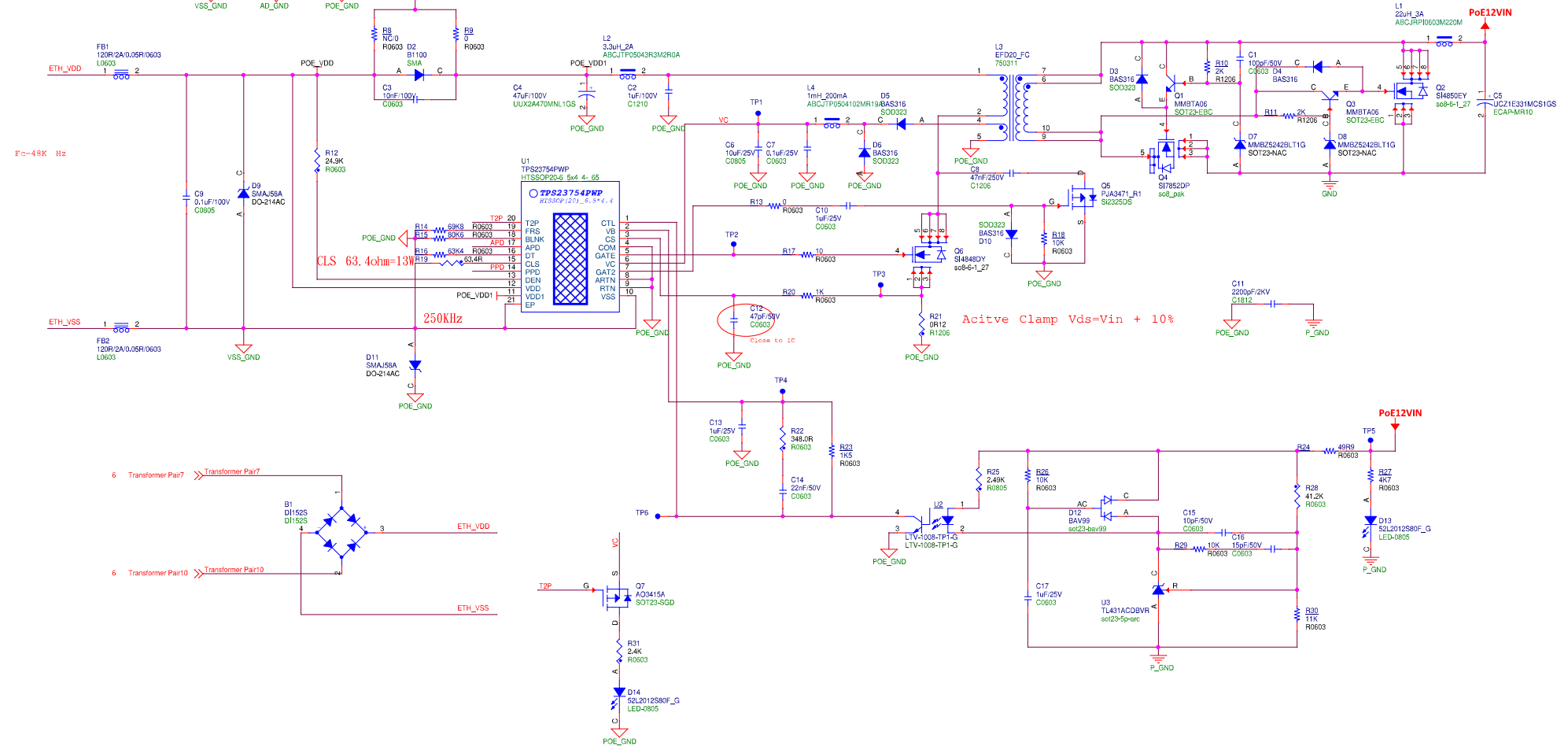


Function Option:
 1.Adapter Power PD:(1)POE_VDD (2)VSS_GND (Notice If Adapter=POE then PSE will turn off)
 2.Adapter > PSE :(1)POE_VDD1 (2)POE_GND (3)APD=8.87K
 3.Low Voltage adapter:(1)POE_VDD (2)VSS_GND (3)PPD=4.02K (3)Short VDD=VDD1 (Max Power=19.3W)
 (4)Non Low Voltage:
 4.1.If Adapter > 30.5 , VC > 8.5V converter still run
 4.2.If Adapter < 30.5 , VC < 8.5V or 8.5V will stop



Fc=49K Hz

CLS 63.4ohm=13W

250KHz

Active Clamp Vds=Vin + 10%

6 Transformer Pair7 >>Transformer Pair7

6 Transformer Pair10 >>Transformer Pair10

