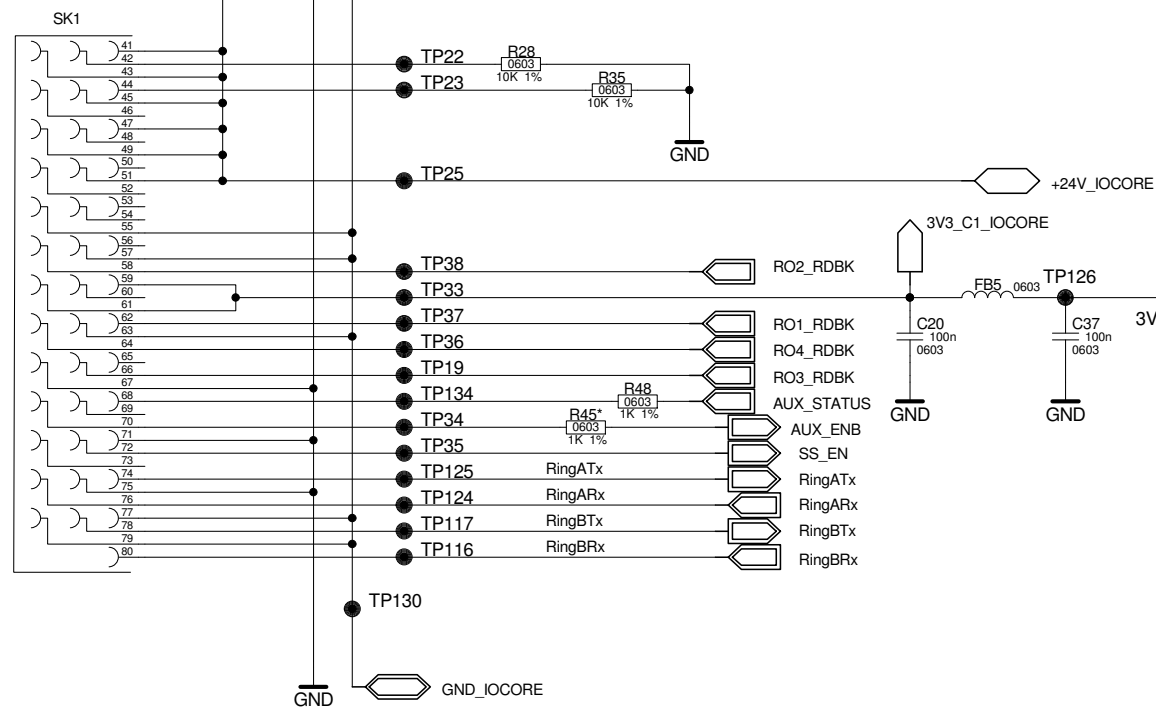
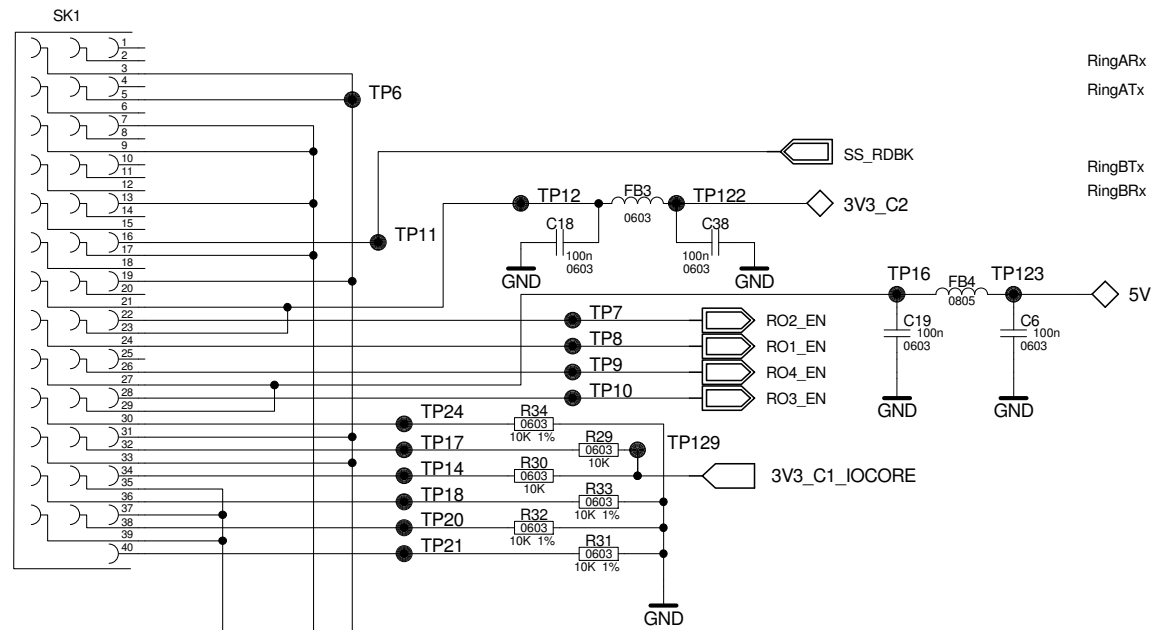
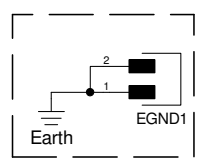


IO CORE BOARD INTERFACE CONNECTOR

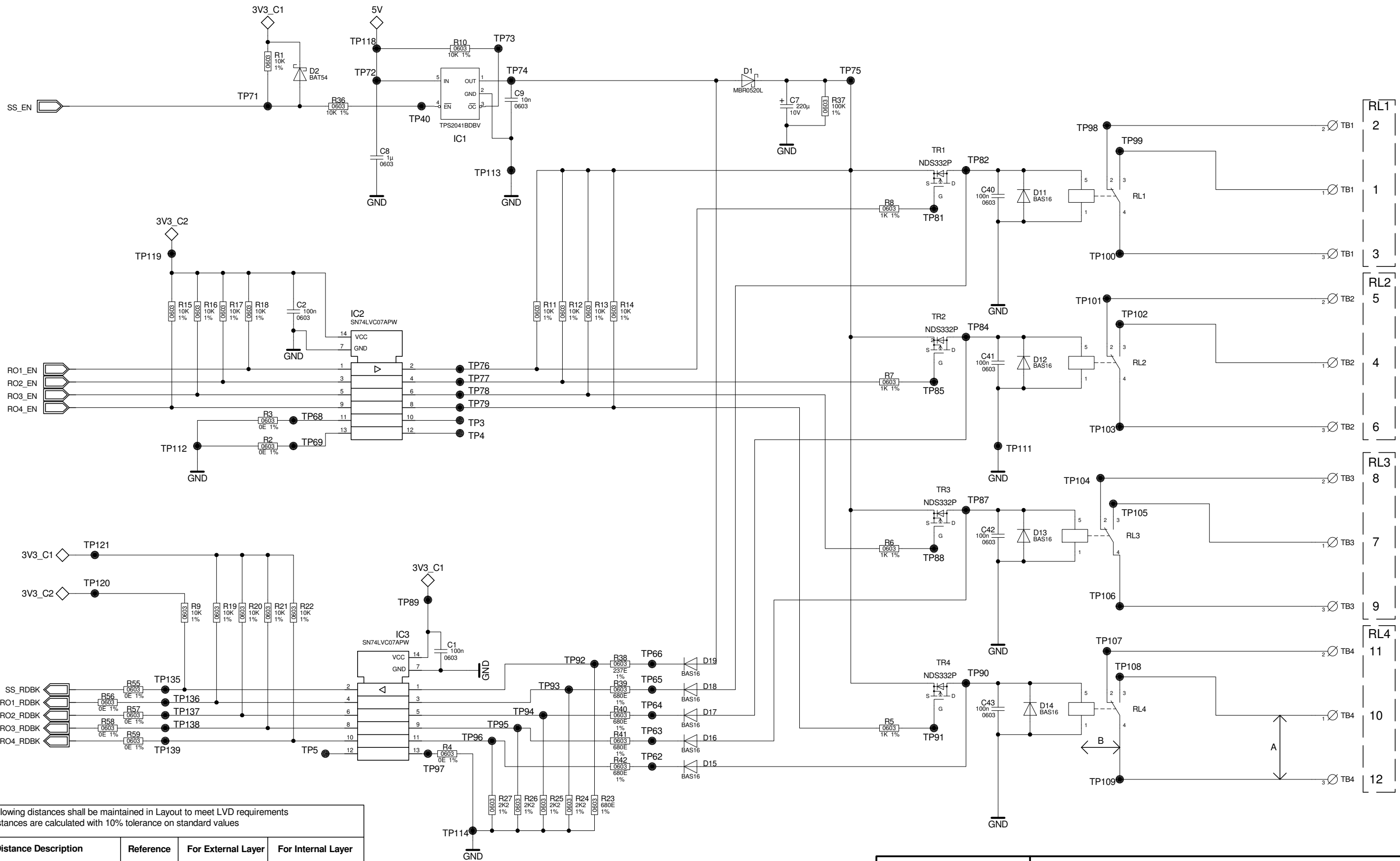


EGND is a rectangular pad for module EARTH pin on top and bottom layer of PCB.



DRAWN BY	mdh	Honeywell	
ENGINEER	mdh		
APPROVED BY	rwa	TITLE	Size A3
		DIN Rail and IO Connector	
CHANGED BY	mdh	REV 02	DRAWING NUMBER 2400C2081
DATE CHANGED	5/23/2014	SHEET 2 OF 4	
TIME	11:03:21 AM	ECO NO A04189	

* star marked components are not to be placed



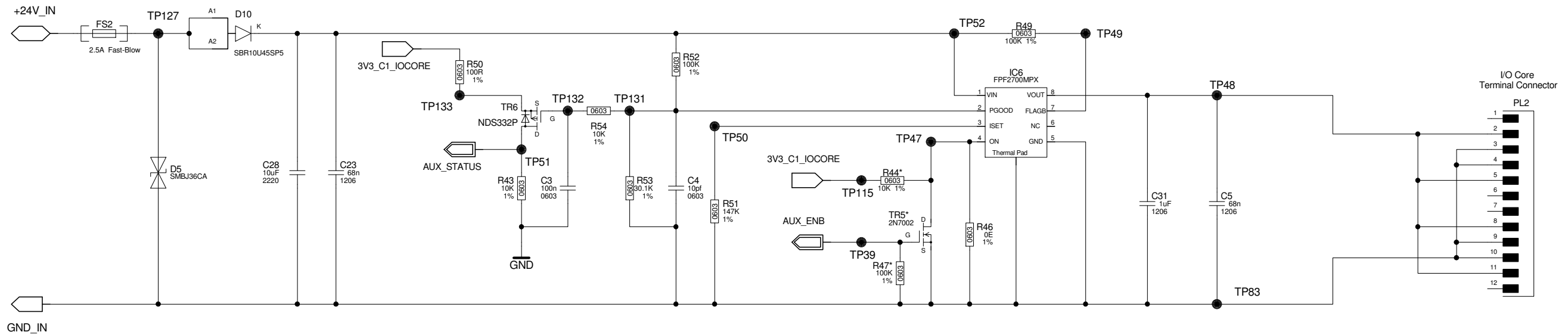
Following distances shall be maintained in Layout to meet LVD requirements
 Distances are calculated with 10% tolerance on standard values

Distance Description	Reference	For External Layer	For Internal Layer
Between Two Relay Contact Traces	A	2.75mm	0.5mm
Between High Voltage (230V) to Low Voltage Circuits (24V DC)	B	3.3mm	0.5mm

* star marked components are not to be placed

CHANGED BY mdh DATE CHANGED 5/23/2014 TIME 11:03:21 AM ECO NO A04189

DRAWN BY	mdh	Honeywell	
ENGINEER	mdh		
APPROVED BY	rwa	TITLE	Relay Driving Circuit
REV	02	DRAWING NUMBER	2400C2081
SHEET 3 OF 4		Size	A3



* star marked components are not to be placed

CHANGED BY	mdh	DATE CHANGED	5/23/2014	TIME	11:03:21 AM	ECO NO	A04189
------------	-----	--------------	-----------	------	-------------	--------	--------

DRAWN BY	mdh	Honeywell					
ENGINEER	mdh	TITLE					Size
		Auxiliary Output Circuit					A3
APPROVED BY	rwa	REV	02	DRAWING NUMBER	2400C2081	SHEET	4 OF 4