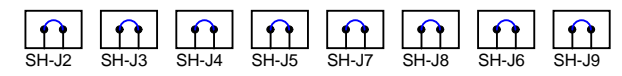
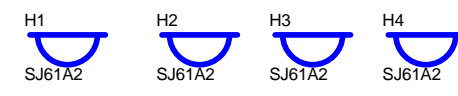
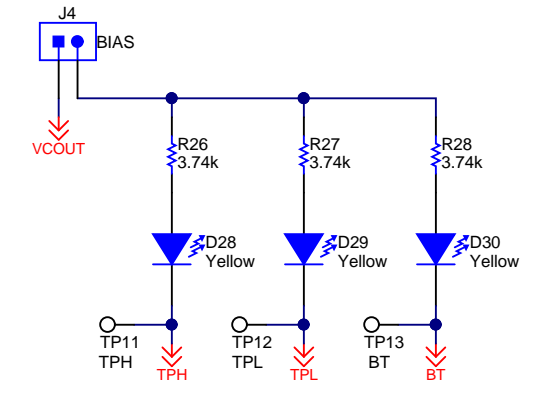
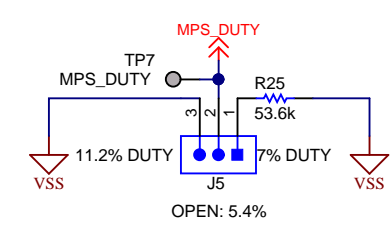
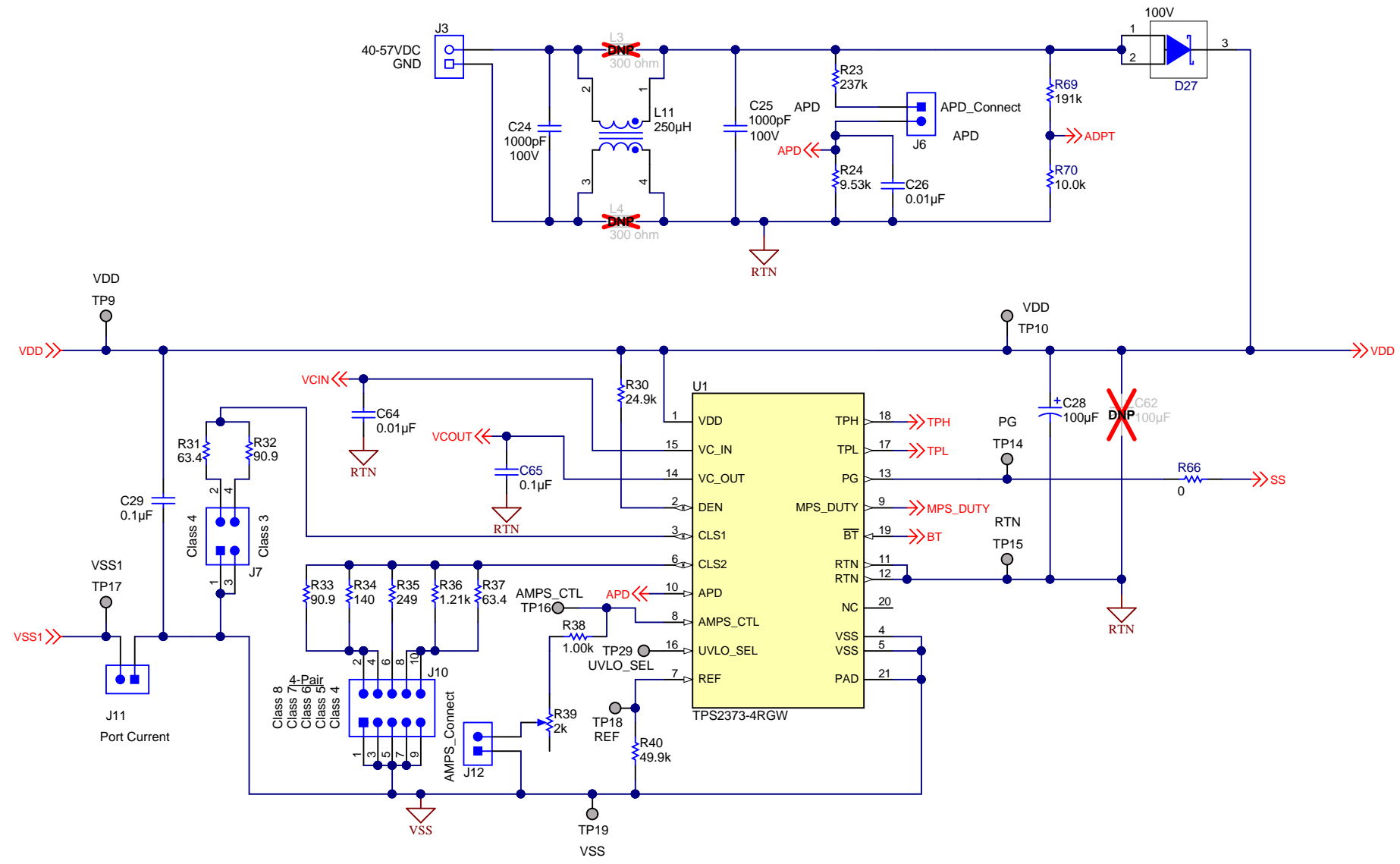


Texas Instruments and/or its licensors do not warrant the accuracy or completeness of this specification or any information contained therein. Texas Instruments and/or its licensors do not warrant that this design will meet the specifications, will be suitable for your application or fit for any particular purpose, or will operate in an implementation. Texas Instruments and/or its licensors do not warrant that the design is production worthy. You should completely validate and test your design implementation to confirm the system functionality for your application.

| | | |
|-----------------------------------|--|---------------------|
| Orderable: | Designed for: Public Release | Mod. Date: 1/9/2018 |
| TID #: N/A | Project Title: PoE 12V/6A Active Clamp Forward Converter | |
| Number: PMP21318 | Rev: A | Sheet Title: |
| SVN Rev: Version control disabled | Assembly Variant: 001 | Sheet: 1 of 3 |
| Drawn By: | File: PMP21318_RevA_SH1.SchDoc | Size: B |
| Engineer: D Strasser | Contact: N/A | |



© Texas Instruments 2017



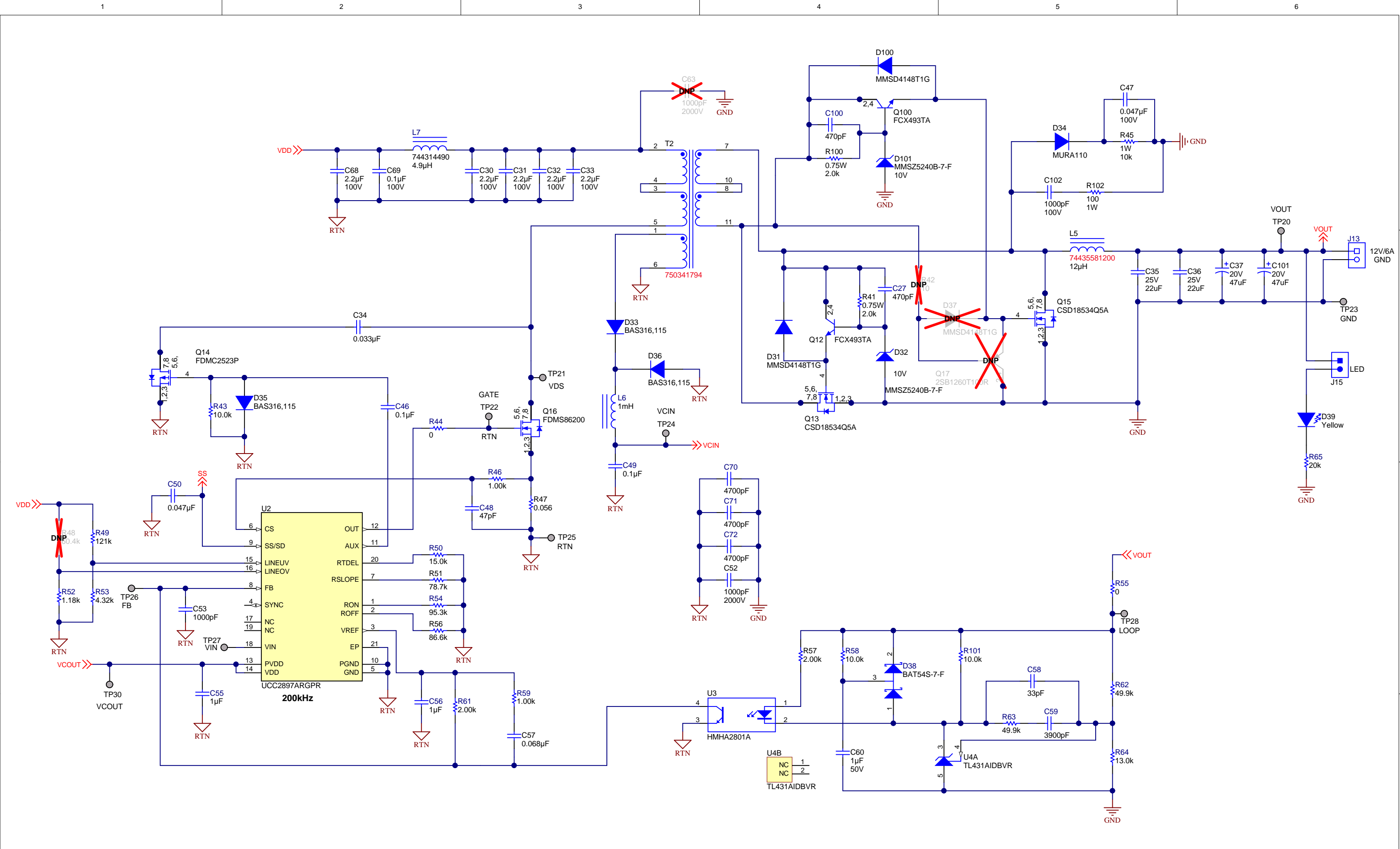
Install jumpers on:
J4
J5 pins 1-2
J6
J7 pins 1-2
J10 pins 1-2
J11
J12
J15

Build on PWR758 Rev A PCB (TPS2373-4EVM-758)
REFDES higher than 99 not on PCB
Modifications required to PCB

| | | |
|-----------------------------------|--|---------------------|
| Orderable: | Designed for: Public Release | Mod. Date: 1/9/2018 |
| TID #: N/A | Project Title: PoE 12V/6A Active Clamp Forward Converter | |
| Number: PMP21318 | Rev: A | Sheet Title: |
| SVN Rev: Version control disabled | Assembly Variant: 001 | Sheet: 2 of 3 |
| Drawn By: | File: PMP21318_RevA_SH2.SchDoc | Size: B |
| Engineer: D Strasser | Contact: N/A | |

Texas Instruments and/or its licensors do not warrant the accuracy or completeness of this specification or any information contained therein. Texas Instruments and/or its licensors do not warrant that this design will meet the specifications, will be suitable for your application or fit for any particular purpose, or will operate in an implementation. Texas Instruments and/or its licensors do not warrant that the design is production worthy. You should completely validate and test your design implementation to confirm the system functionality for your application.





Texas Instruments and/or its licensors do not warrant the accuracy or completeness of this specification or any information contained therein. Texas Instruments and/or its licensors do not warrant that this design will meet the specifications, will be suitable for your application or fit for any particular purpose, or will operate in an implementation. Texas Instruments and/or its licensors do not warrant that the design is production worthy. You should completely validate and test your design implementation to confirm the system functionality for your application.

| | | |
|-----------------------------------|--|---------------------|
| Orderable: | Designed for: Public Release | Mod. Date: 1/9/2018 |
| TID #: N/A | Project Title: PoE 12V/6A Active Clamp Forward Converter | |
| Number: PMP21318 | Rev: A | Sheet Title: |
| SVN Rev: Version control disabled | Assembly Variant: 001 | Sheet: 3 of 3 |
| Drawn By: | File: PMP21318_RevA_SH3.SchDoc | Size: B |
| Engineer: D Strasser | Contact: N/A | |



© Texas Instruments 2017