

NOTES, UNLESS OTHERWISE SPECIFIED:

1. The netname "DMD\_P3P3V" represents connection to the +3.3V digital power plane.
2. The symbol  $\nabla$  represents connection to the digital ground plane.
3. A "Z" suffix on a signal name indicates an active low signal.
4. All components with designators "U", "D", "Y" and "Q" are electrostatic discharge sensitive.
5. All resistor values are in ohms, 1/16W and 5% unless otherwise specified.
6. 470 Ohm resistors R1, R2, R3, R4, R6, and R9 protect the system when/if wrong DMD is installed on-board.

HIGHEST REFERENCE DESIGNATORS USED						
C111	D3	DN2	J1	L3	P1	R43
TP37	U3	Q9				



**BEFORE USING TECHNICAL INFORMATION, THE USER SHOULD CAREFULLY READ THE FOLLOWING TERMS.**

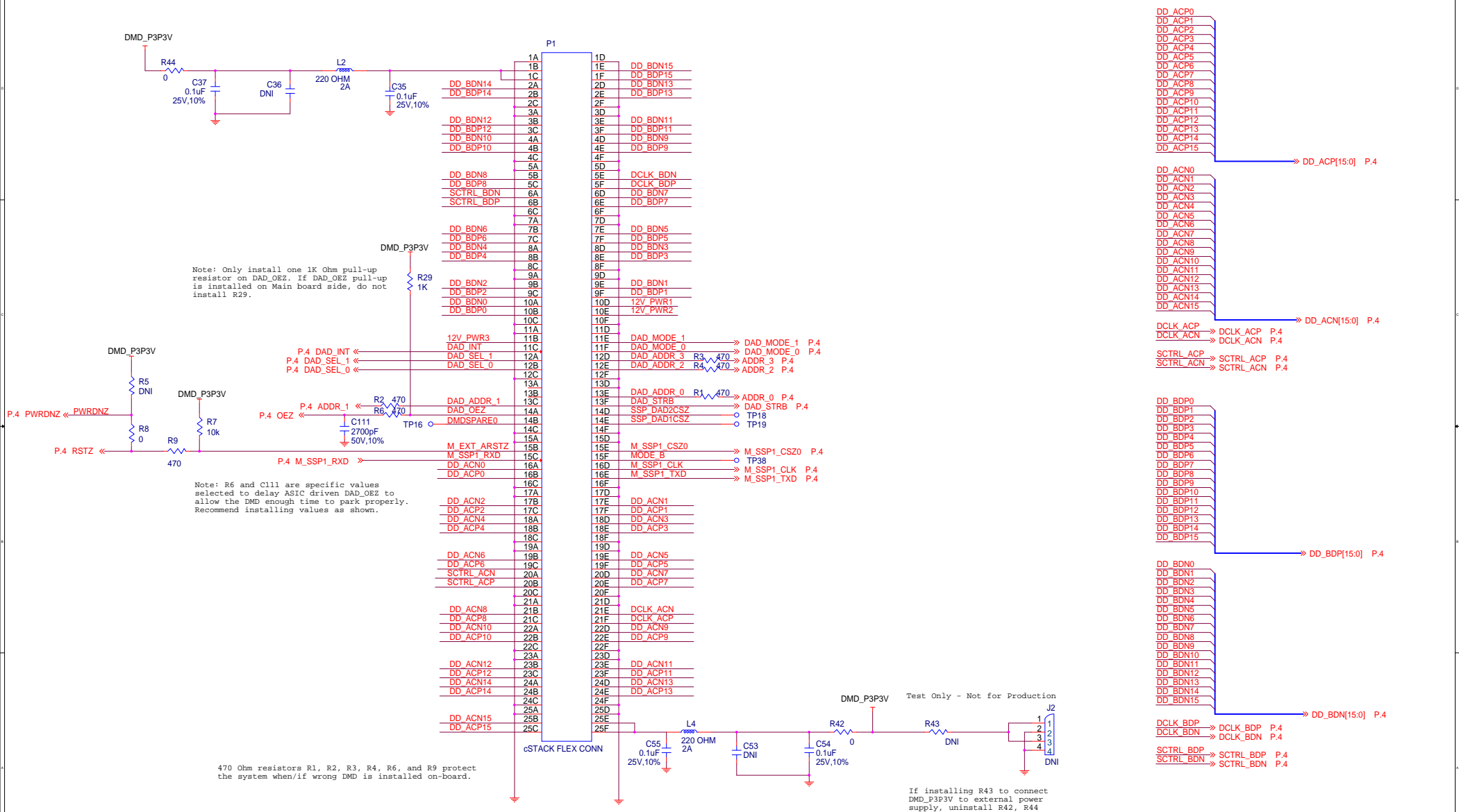
The term "Technical Information" includes reference designs, drawings, specifications, and other information relating to TI digital imaging products or applications, contained herein or provided separately in any format or via any medium.

TI is providing Technical Information for the convenience of purchasers of digital imaging products ("Users"), and will not accept any responsibility or liability arising from providing the Technical Information or its use. Any use or reliance on Technical Information is strictly the responsibility of the User.

1. **No Warranty. THE TECHNICAL INFORMATION IS PROVIDED "AS IS".** TI MAKES NO WARRANTIES OR REPRESENTATIONS, EXPRESS, IMPLIED OR STATUTORY, INCLUDING LACK OF VIRUSES, ACCURACY, OR COMPLETENESS. TI DISCLAIMS ANY WARRANTY OF TITLE, ANY IMPLIED WARRANTIES OF MERCHANTABILITY, FITNESS FOR A PARTICULAR PURPOSE, QUIET ENJOYMENT, QUIET POSSESSION, AND NON-INFRINGEMENT OF ANY THIRD PARTY INTELLECTUAL PROPERTY RIGHTS WITH REGARD TO THE TECHNICAL INFORMATION OR THE USE OF THOSE MATERIALS.
2. **Warranty for Products Not Affected.** The foregoing exclusion and disclaimer of warranty does not affect or diminish any warranty rights with regard to digital imaging products. Such rights are governed exclusively by the terms of a written and signed purchase agreement with TI.
3. **Limitations and Exclusion of Damages.** IN NO EVENT SHALL TI BE LIABLE FOR ANY ACTUAL, SPECIAL, INCIDENTAL, CONSEQUENTIAL OR INDIRECT DAMAGES, HOWEVER CAUSED, ON ANY THEORY OF LIABILITY AND WHETHER OR NOT TI HAS BEEN ADVISED OF THE POSSIBILITY OF SUCH DAMAGES, ARISING IN ANY WAY OUT OF THE TECHNICAL INFORMATION OR THE USE OF THE TECHNICAL INFORMATION.
4. **No Engineering Services.** User is fully responsible for all design decisions and engineering with regard to its products, including decisions relating to application of digital imaging products. By providing Technical Information TI does not intend to offer or provide engineering services or advice concerning User's design. If User desires engineering services, then User should rely on its retained employees and consultants and/or procure engineering services from a licensed professional engineer ("LPE").
5. **Compliance with Export Control Laws.** Unless prior authorization is obtained from the U.S. Department of Commerce, User may not export, re-export, or release, directly or indirectly, any Technical Information, or export, directly or indirectly, any direct product of such Technical Information to any destination or country to which the export, re-export or release of the Technical Information or direct product is prohibited by the Export Administration Regulations of the U.S. Department of Commerce ("EAR").

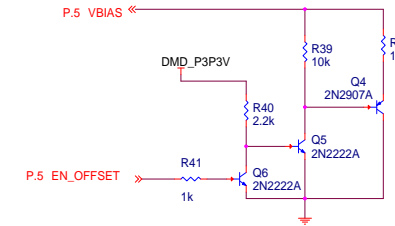
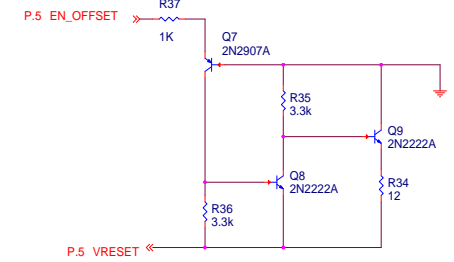
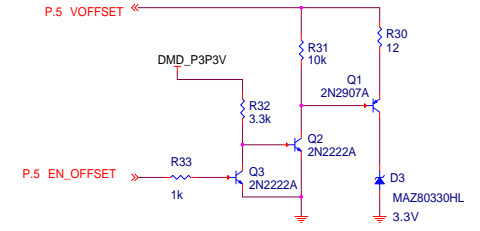
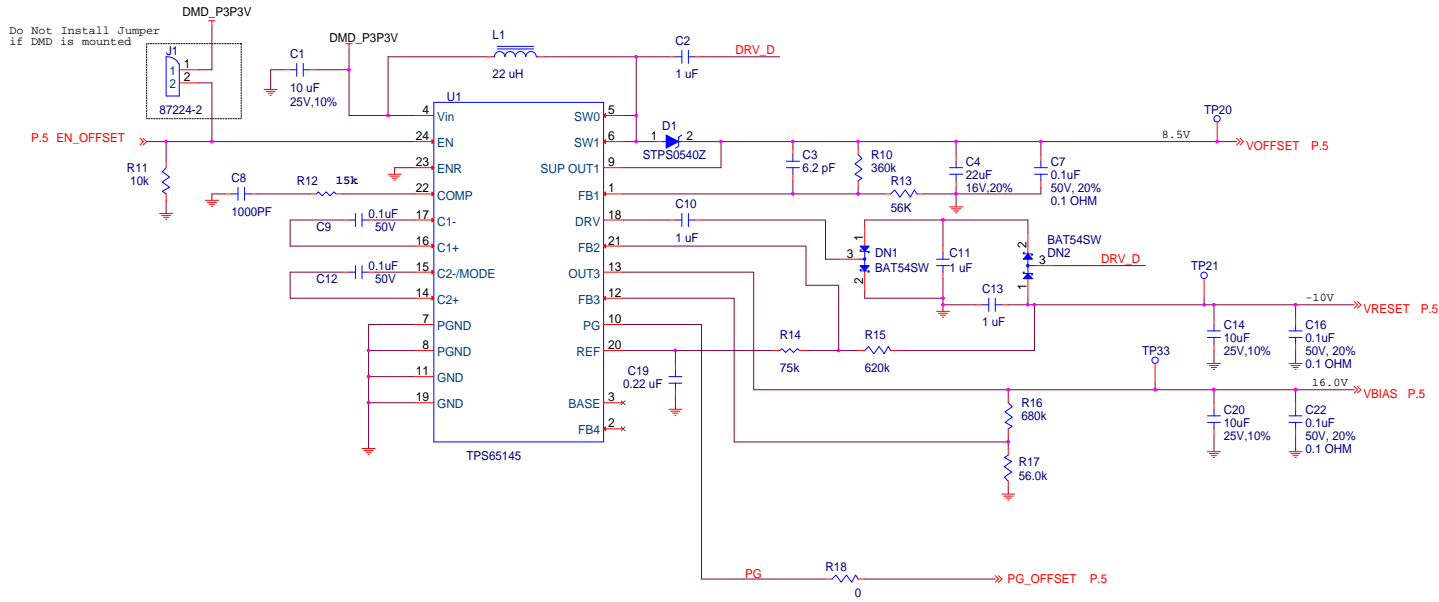
REVISIONS			
REV	DESCRIPTION	DATE	APPROVED
A	ECO 2117139: Initial Release	9/13/2011	
B	ECO 2123014: Added DAD_OEZ Delay Circuit Page 2 - R29 changed from 10K Ohm to 1K Ohm Page 2 - Added C111 2700pF	3/07/2012	

	DWN	DATE	6/24/11	<b>TEXAS INSTRUMENTS</b> (C) COPYRIGHT 2010, 2011 TEXAS INSTRUMENTS ALL RIGHTS RESERVED TITLE <b>ESD, 0.65 1080P S600 DMD BOARD</b> with cSTACK FLEX CONN			
	ENGR	DATE	6/24/11				
	APVD						
	MFG						
2511981	0314SS	QA		DRAWING NO	2511979	REV	B
NEXT ASSY	USED ON			SCALE		SHEET	1 of 5
APPLICATION	REV	Cadence 16.0					



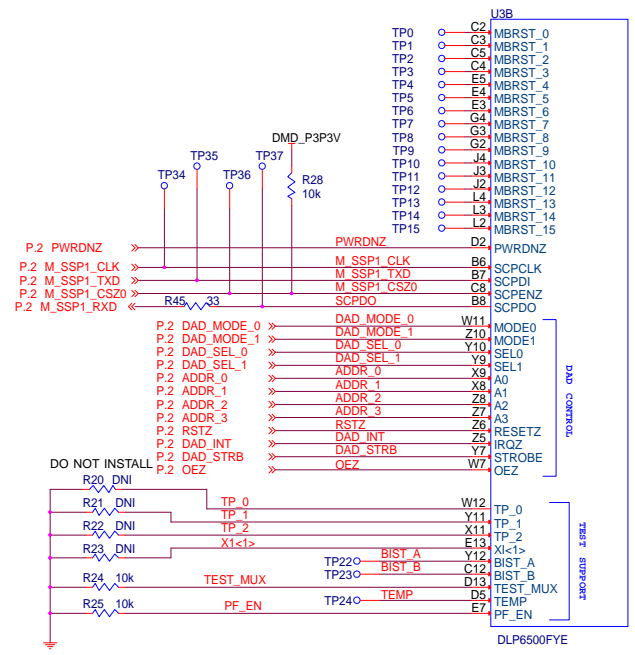
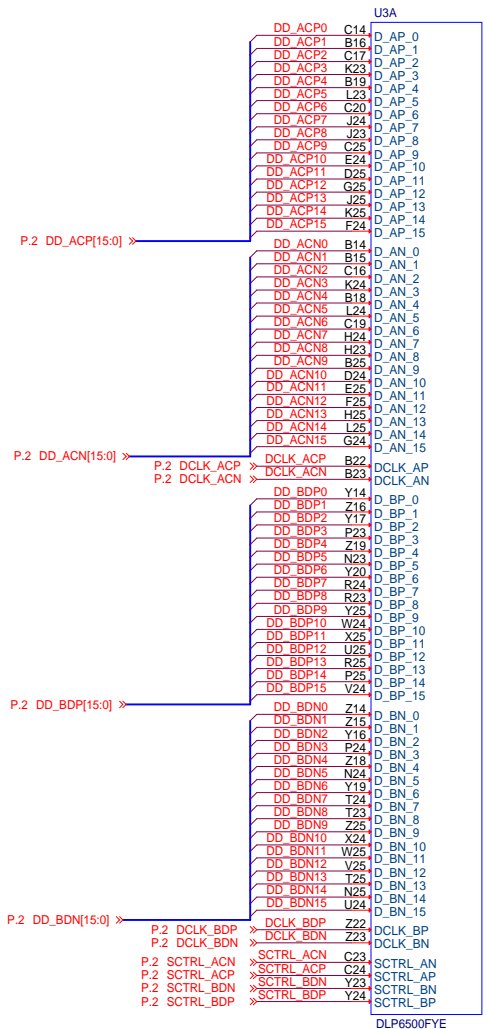
# INPUT CONNECTOR

Do Not Install Jumper  
if DMD is mounted

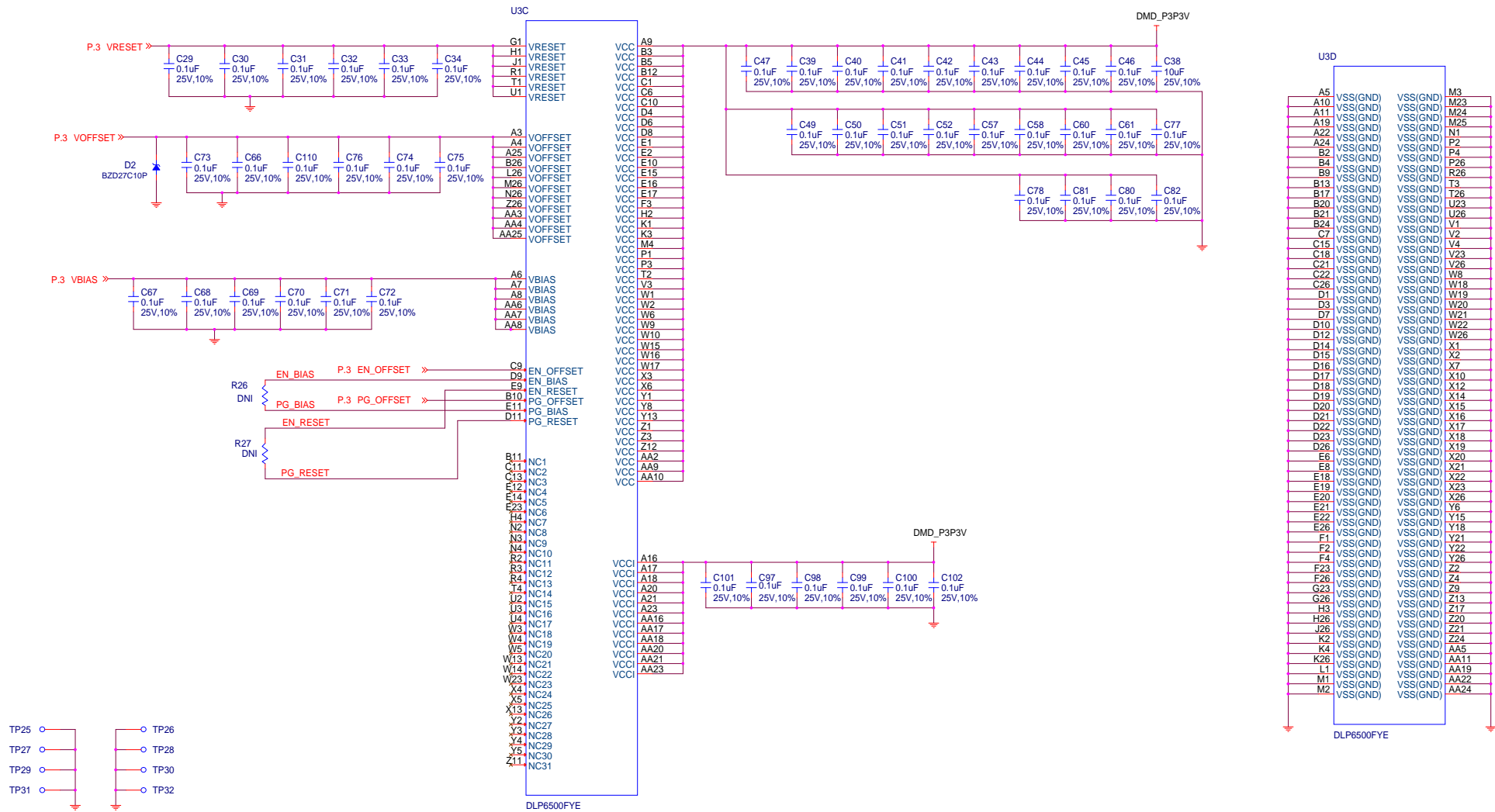


# DMD POWER SUPPLY

TEXAS INSTRUMENTS	OWN	DATE	DRAWING NO.	REV.
	DESIGN DATE	07/24/11		
SCALE			SHEET 3 OF 5	



# DMD DATA INPUT



# DMD POWER