
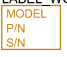


# 01. CONTENTS

PCB1  
PCB



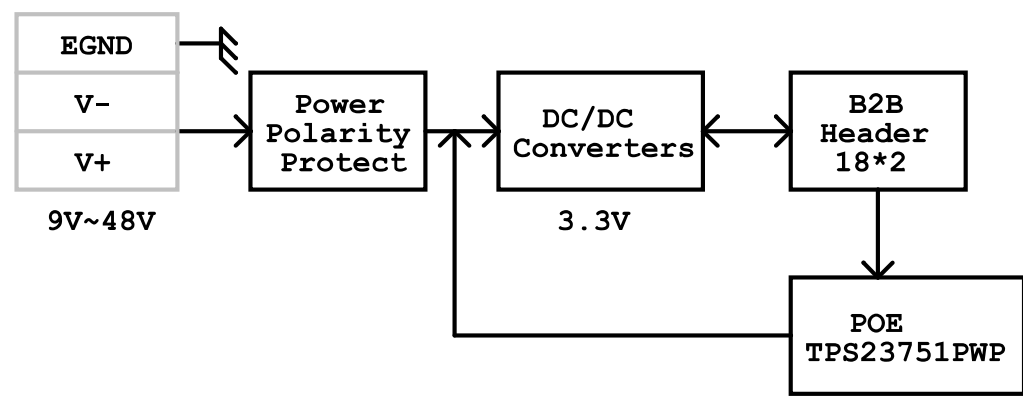
LBL1  
LABEL\_WO\_MAC



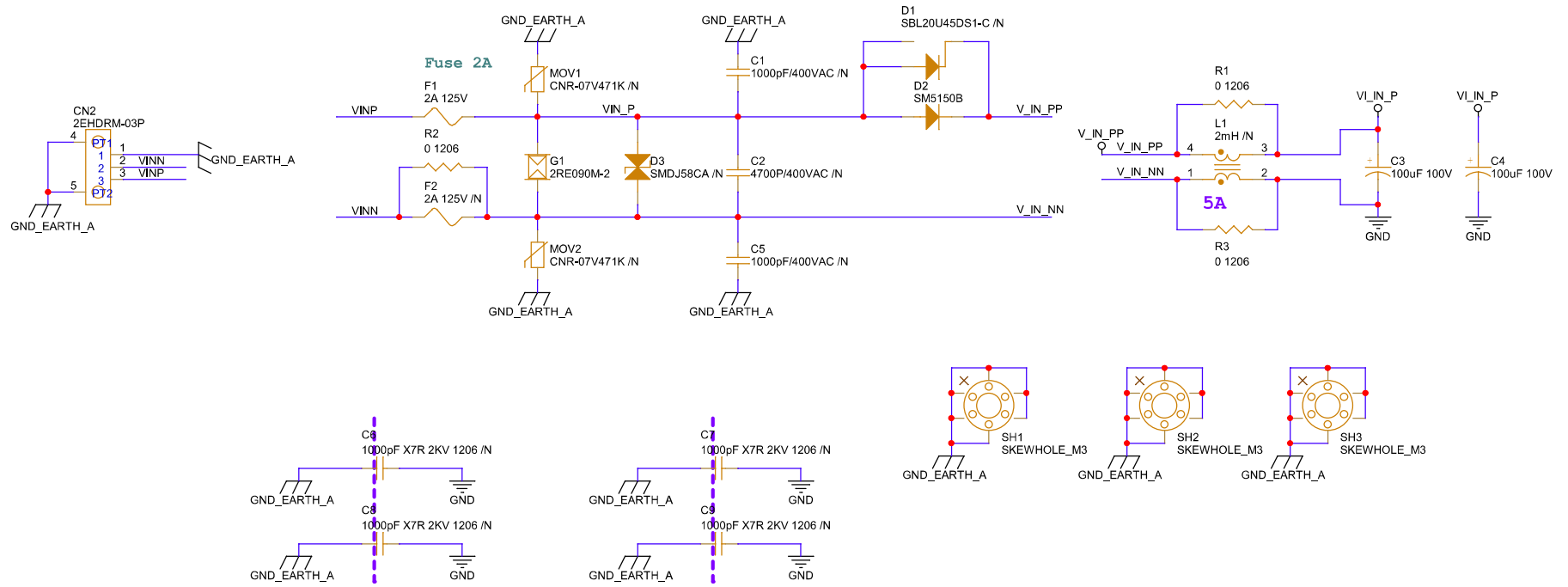
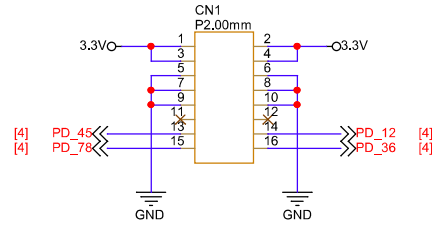
MODEL  
P/N  
S/N

- 01. CONTENTS
- 02. BLOCK DIAGRAM
- 03. B2B CONN
- 04. POE PD
- 05. DC CONVERTER

# 02. BLOCK DIAGRAM

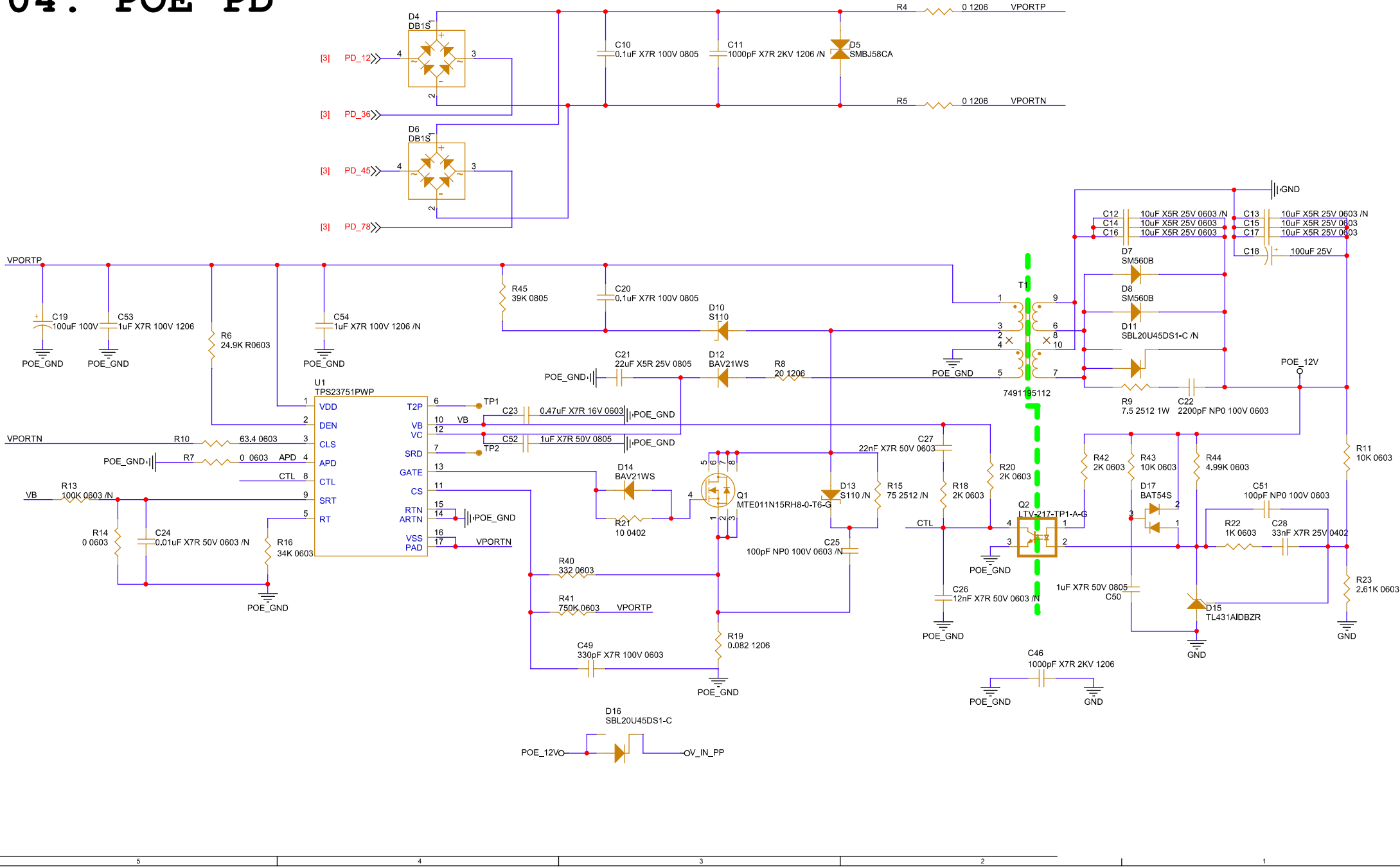


# 03. B2B CONN



Isolate 2mm

# 04. POE PD



# 05. DC CONVERTER

