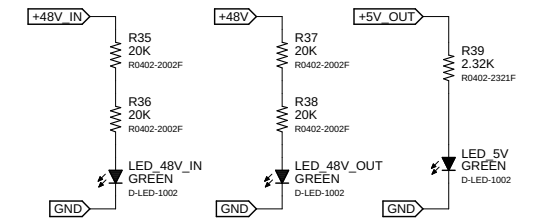
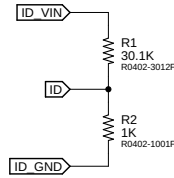


LED STATUS



POWER SUPPLY ID



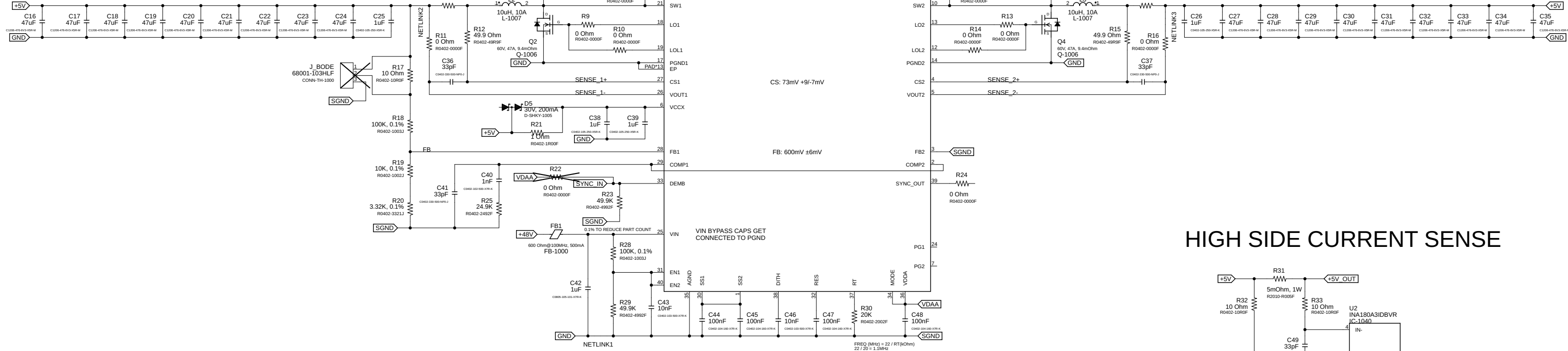
mosfet +5V INTERLEAVED SYNCHRONOUS BUCK CONVERTER

SIR186LDP-T1-RE3 - bought on lcsc
 NVMFS5C645NLAFT1G
 ASDM60R042NQ-R - bought on lcsc

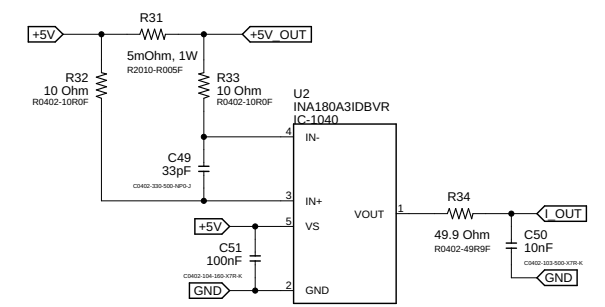
ORDER SMALLER INDUCTORS TOO 4.7UH AND 2.2UH

VOUT NOMINAL = 5.105V

DC BIAS YIELDS 60% REDUCTION IN 6.3V CERAMICS.



HIGH SIDE CURRENT SENSE



- SPACER1 709670110_MATE
- ◇ FIDUCIAL1 FIDUCIAL_1MM
- ◇ FIDUCIAL2 FIDUCIAL_1MM
- ◇ FIDUCIAL3 FIDUCIAL_1MM
- ◇ FIDUCIAL4 FIDUCIAL_1MM
- ◇ FIDUCIAL5 FIDUCIAL_1MM
- ◇ FIDUCIAL6 FIDUCIAL_1MM